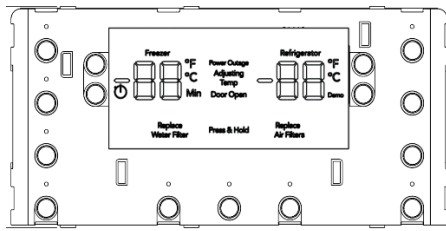
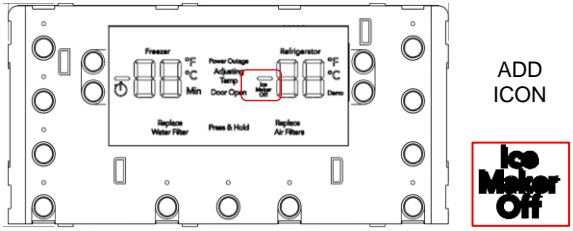
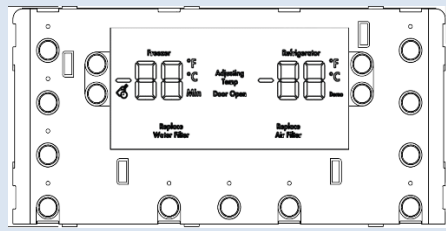
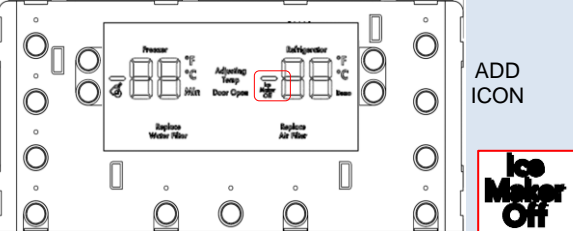
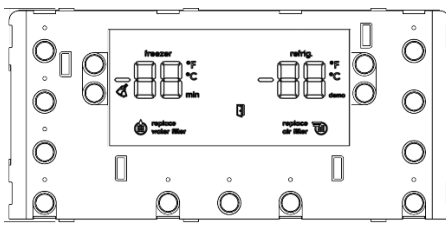
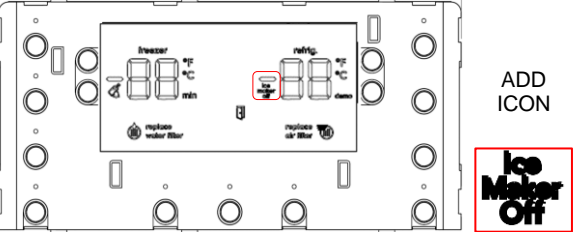


**THE NEW DISPLAY ASSEMBLY (COBALT UI) ADD "ICE maker off" ICON.**

**DESCRIPTION:**

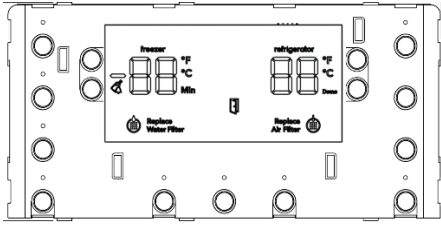
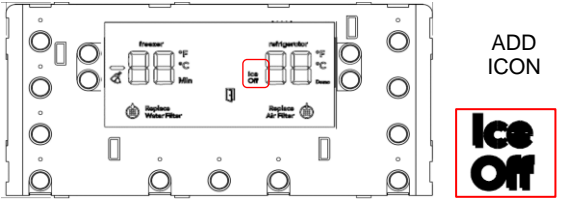
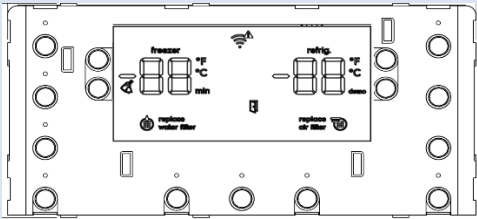
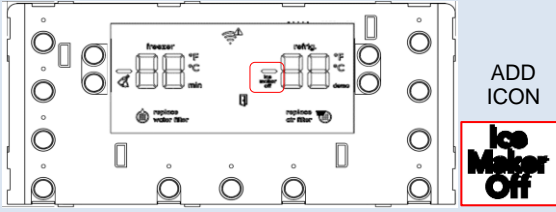
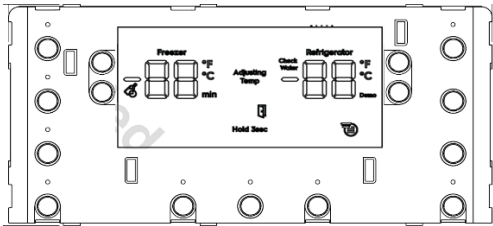
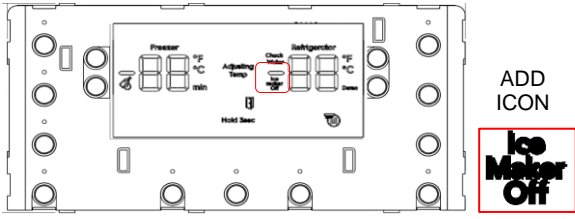
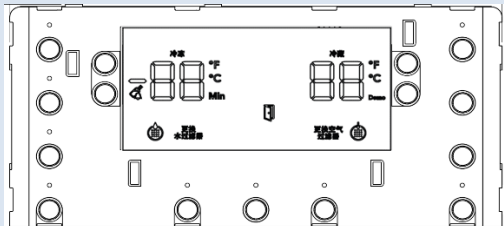
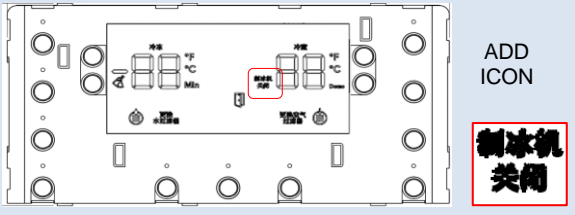
The ice maker off icon is automatic lit on is **not ready to the ice maker function.**

**SOLUTION AND SPARE PART NUMBER**

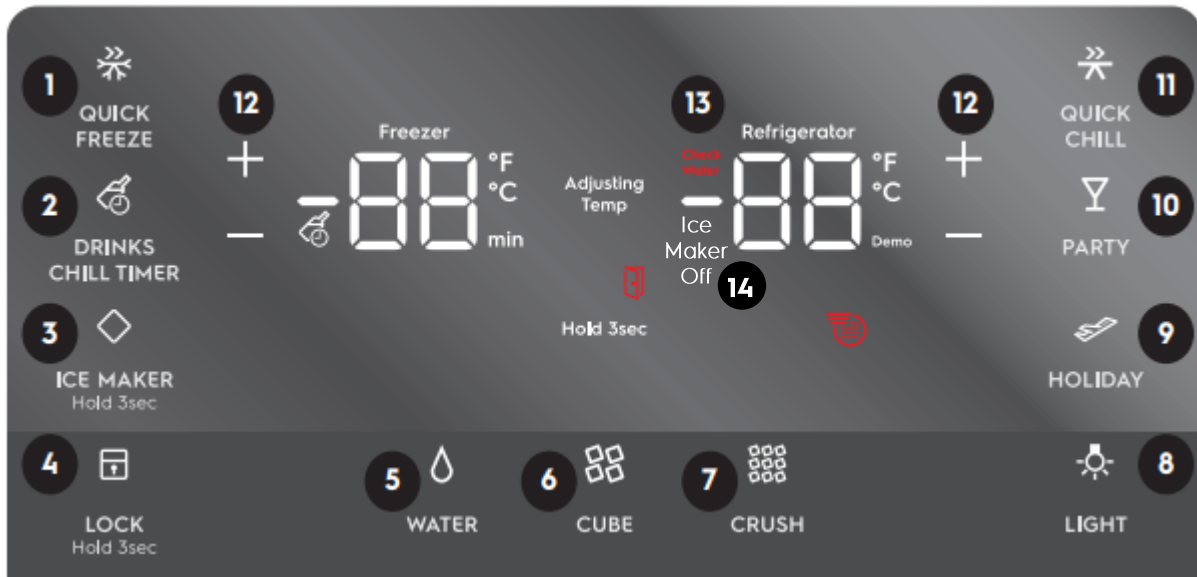
	<b>Existing DISPLAY ASS'Y (COBALT UI)</b>	<b>New DISPLAY ASS'Y (COBALT UI)</b>
<b>Illustrations</b>		
<b>Part number</b>	140050905094	140050905250
<b>Illustrations</b>		
<b>Part number</b>	140050905102	140050905268
<b>Illustrations</b>		
<b>Part number</b>	140050905110	140050905276

Continuous next page

SOLUTION AND SPARE PART NUMBER

	Existing DISPLAY ASS'Y (COBALT UI)	NEW DISPLAY ASS'Y (COBALT UI)
Illustrations		
Part number	140050905045	140050905284
Illustrations		
Part number	140050905169	140050905300
Illustrations		
Part number	140050905151	140050905292
Illustrations		
Part number	140050905193	140050905318

**HOW THE “ICE MAKER OFF” lit ON/OFF.**



**Default**

BOTTON / ICON	DESCRIPTION	LED STATUS	FUNCTION
14	Ice Maker Off	ON	The refrigerator stops making ice.
3	Ice Maker	OFF	

**ON/OFF “ICE MAKER” by Hold button no.3 for 3 seconds.**

BOTTON / ICON	DESCRIPTION	LED STATUS	FUNCTION
14	Ice Maker Off	OFF	The refrigerator making ice.
3 Hold 3 sec	Ice Maker	ON	

BOTTON / ICON	DESCRIPTION	LED STATUS	FUNCTION
14	“Ice Maker Off” is lit ON.	ON	The refrigerator stops making ice.
3 Hold 3 sec	“Ice Maker” is lit OFF.	OFF	

**MODELS INVOLVED:**

PNC	Model name	Serial number
925060318	FG4H2272UF	-
925060601	FG4H2272UF	-
925060313	WHE6874SA CAU	-
925060317	WHE7074SA FAU	-
925060615	WHE6874BA CAU	-
925060315	DM90X CBR	-
925060316	DM90X CBZ	-
925060329	ADVANTAGE-PLUS-7790	-
925060330	DM90X CAR	-
925060331	ERMM60L4MSS CMX	-
925060332	DM90X CPU	-
925060624	RMB954F9VX CEU	-
925060625	RMB954F9VX CUK	-
925060626	LLI9VF54X0 CEU	-
925060627	RME954F9VX CEU	-
925060322	DM91X CBR	-
925060323	DM91X CBZ	-
925060325	EHE6879A-B CVN	-
925060326	EHE6879A-B CTH	-
925060327	EHE6879A-B CMY	-
925060328	EHE6879A-B CPH	-
925060335	EHE6879A-B CID	-
925060378	EHE6879A-B CSG	-
925060885	EHE6879A-B CMN	-
925060891	ZHE6879SA CEG	-
925060597	AHE6879AA CCN	-

**INTERCHANGEABILITY:**

There are interchangeable between Existing part and new part.

**REVISION:**

Describe the revisions using a table with borders and bold headlines in lowercase with initial capital:

Revision	Date	Description	Author	Approved by - on
00	04/2011	Document Creation	YANNANUN SUWANNARACH	VATCHARAPONG SIMADAMPONG