



# Electrolux

**ELECTROLUX HOME PRODUCTS PTY LTD**

ABN 51 004 762 341

Technical Publication N° EM007

Issue: 3

Date: 06/16

**AEG/ELECTROLUX**

## **COFFEE MACHINE**

<b>SECTION</b>	<b>PAGE N°</b>
CONTROL PANEL & OTHER FUNCTIONAL PARTS	2 & 3
MAIN PCB & STEAM ELEMENT ASSEMBLY	4 & 5
GRINDER & OTHER FUNCTIONAL PARTS	6 & 7
WATER CONTAINER & ASSOCIATED PARTS	8 & 9
CIRCUIT DIAGRAM	10

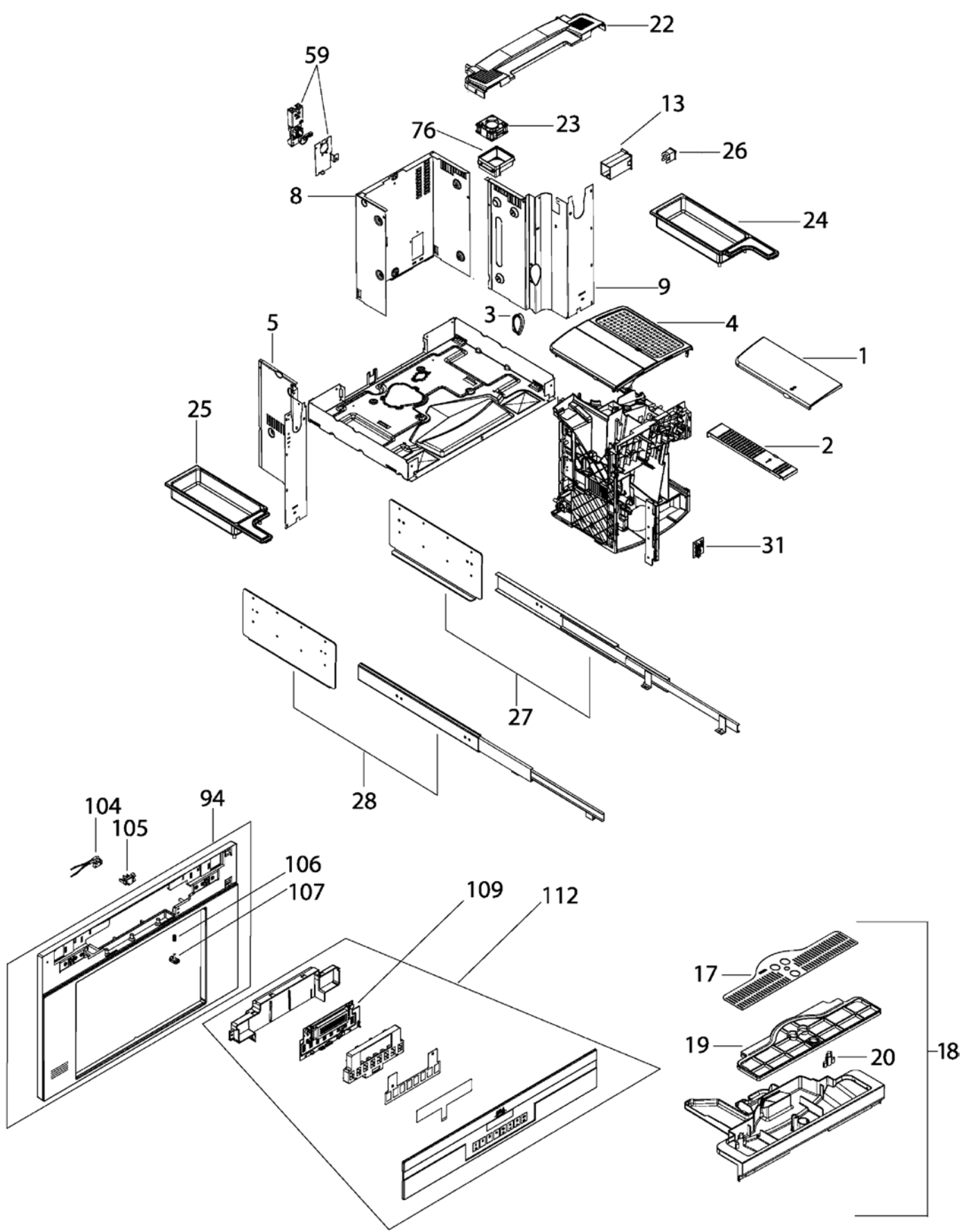
**MODEL:**

**PE4521-M**

**PNC: 942492451**

MODEL: PE4521-M  
PNC: 942492451

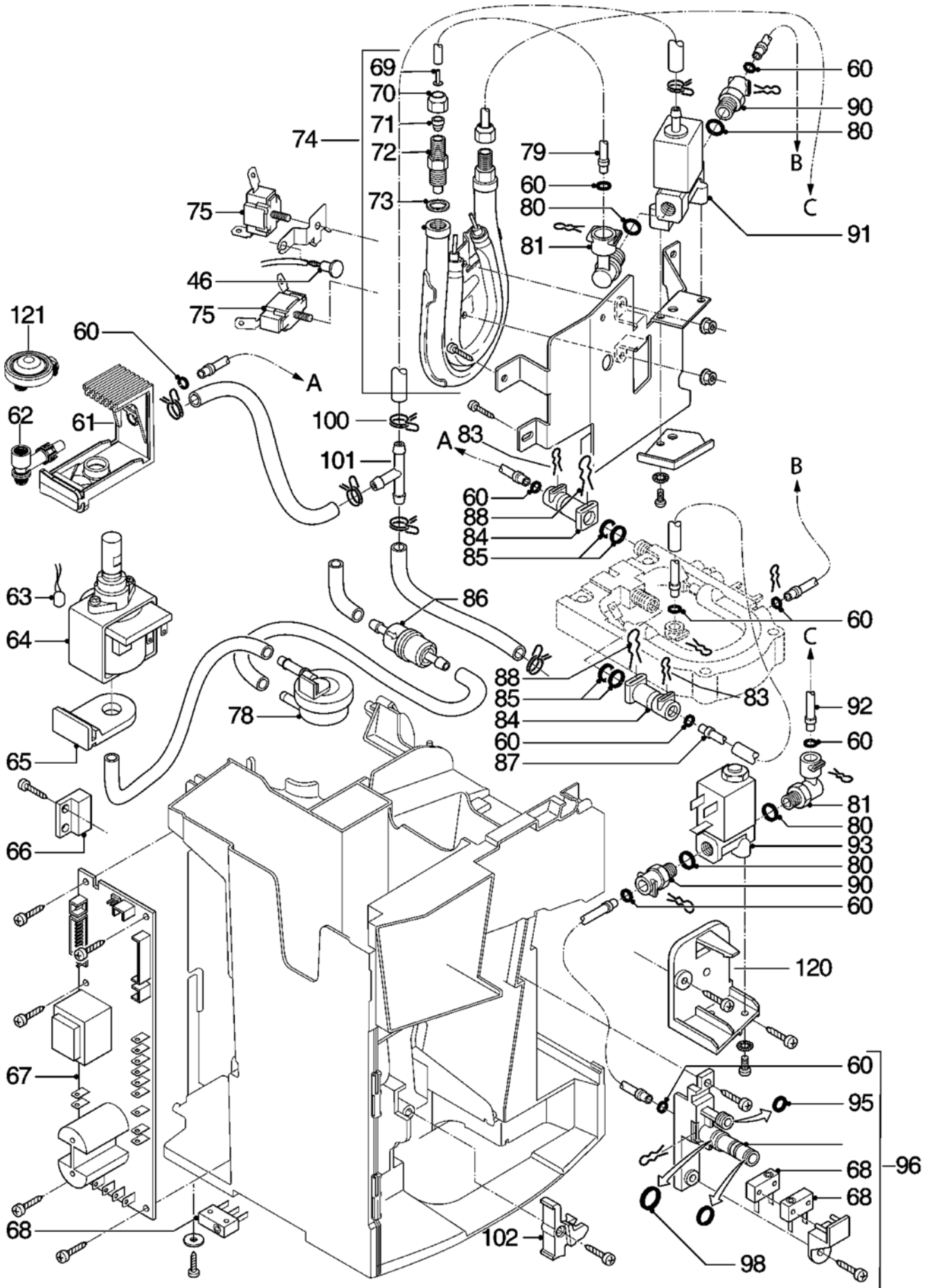
EX. VIEW DRAWING 7704  
CONTROL PANEL & OTHER FUNCTIONAL PARTS



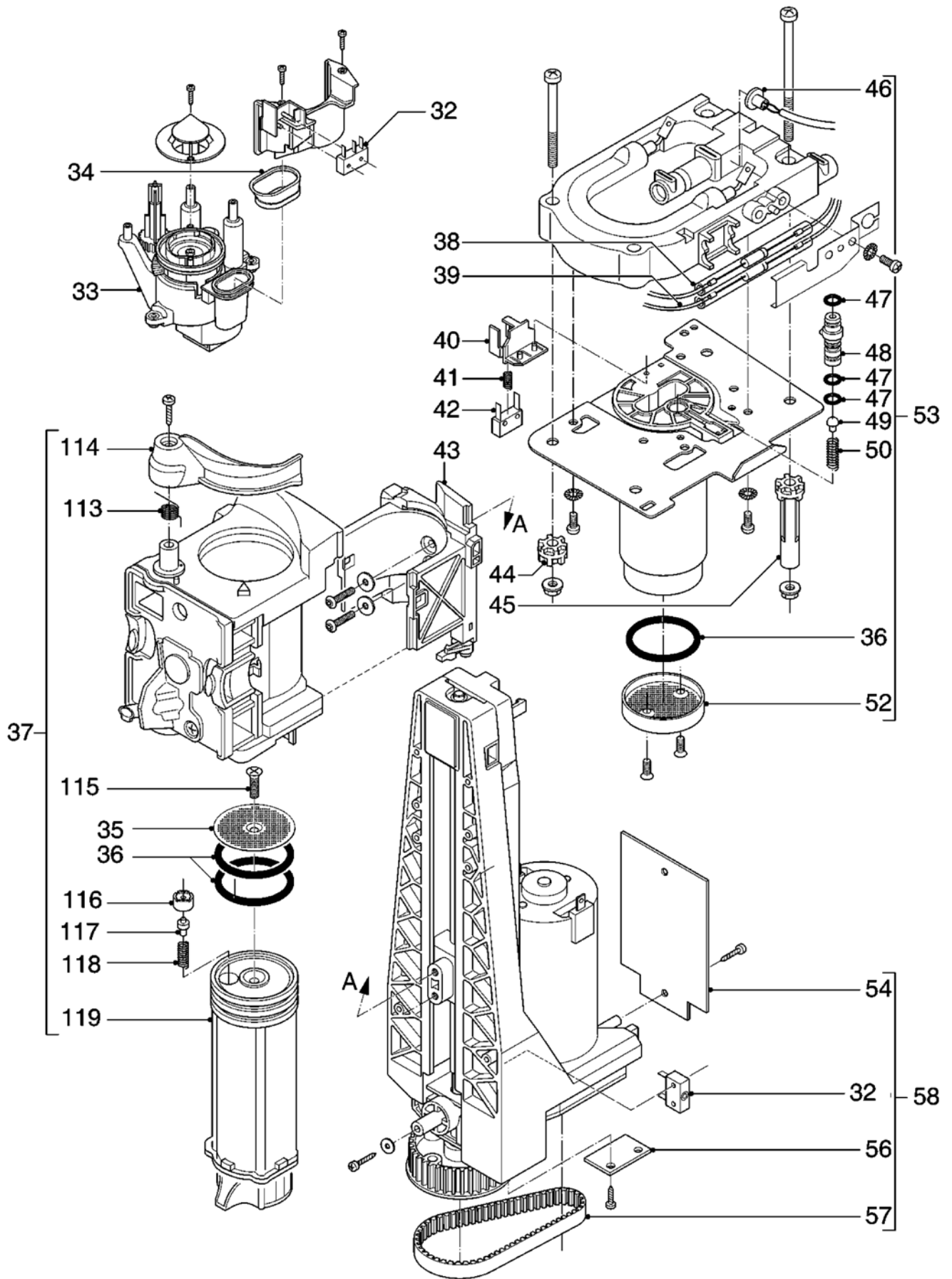
ITEM	PART NUMBER	DESCRIPTION Ex. 7704	QTY
1	<b>4071407169</b>	Cover, Coffee	1
2	<b>4071407037</b>	Bezel, Central-Narrow	1
3	<b>4055034971</b>	Insert	1
4	<b>4055034997</b>	Cover, Top	1
5	<b>4055035002</b>	Panel, Side-Left	1
8	<b>4055035036</b>	Panel, Rear	1
9	<b>4055035044</b>	Panel, Side-Right	1
13	<b>4055035796</b>	Support	1
17	<b>4055035077</b>	Support, Cup	1
18	<b>4055105821</b>	Tray, Assembly-Drop	1
19	<b>4055035093</b>	Support	1
20	<b>4055035101</b>	Float	1
22	<b>4055035119</b>	Frame, Top	1
23	<b>4055035127</b>	Ventilator	1
24	<b>4055035135</b>	Cup, Container	1
25	<b>4055035143</b>	Cup, Container	1
26	<b>4071404554</b>	Switch, On/Off	1
27	<b>4055035150</b>	Rail, Right	1
28	<b>4055035168</b>	Rail, Left	1
31	<b>4055105839</b>	PCB, Card	1
59	<b>4055035218</b>	Cable, Power L=2000mm	1
76	<b>4055035325</b>	Bezel	1
94	<b>4055105862</b>	Frame Assembly	1
104	<b>4055035499</b>	Switch, Micro	1
105	<b>4055035507</b>	Support	1
106	<b>4055035515</b>	Spring	1
107	<b>4055035523</b>	Button, Push-On/Off	1
109	<b>4055105912</b>	PCB, Control	1
112	<b>4055105938</b>	Panel Assembly, Control	1
N/I	<b>4055035176</b>	PCB, Display	1

MODEL: PE4521-M  
PNC: 942492451

EX. VIEW DRAWING 7706  
MAIN PCB & STEAM ELEMENT ASSEMBLY



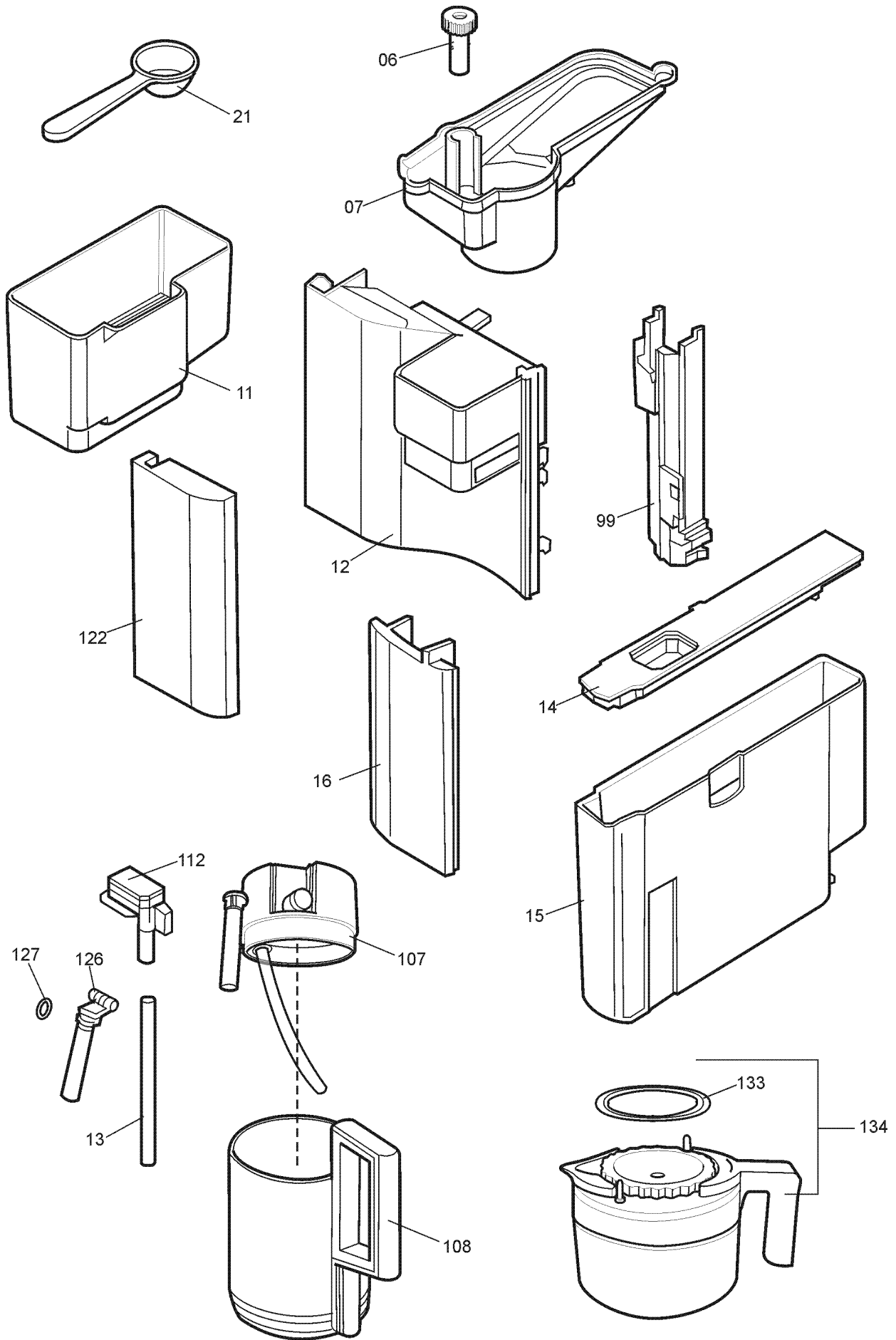
ITEM	PART NUMBER	DESCRIPTION Ex. 7706	QTY
46	<b>4071389649</b>	Sensor	1
60	<b>4055067534</b>	Seal, O-Ring	X
61	<b>4055035234</b>	Support	1
62	<b>4055035242</b>	Valve	1
63	<b>4071389698</b>	Fuse, Temperature Limiter	1
64	<b>4071389680</b>	Bracket, Pump	1
65	<b>4071390050</b>	Pump	1
66	<b>4071389821</b>	Sensor, Reed	1
67	<b>4055094348</b>	PCB, Power Board	1
68	<b>4071389623</b>	Switch, Micro	3
69	<b>4055035275</b>	Shaft	2
70	<b>4055035283</b>	Nut	2
71	<b>4055035291</b>	Bush	2
72	<b>4055035309</b>	Union, Pipe	2
73	<b>4055035317</b>	Ring	2
74	<b>4071404604</b>	Element Assembly, Heater	1
75	<b>4071404588</b>	Fuse, Temperature	2
78	<b>4055067559</b>	Gauge, Water	1
79	<b>4055035333</b>	Tube, L=125mm	X
80	<b>4055035341</b>	Seal	X
81	<b>4055035358</b>	Union, Pipe- Solenoid Valve	2
83	<b>4071389599</b>	Spring, Clamp	X
84	<b>4055035366</b>	Connection, Heating Element, White	2
85	<b>4055067567</b>	Seal, O-Ring	X
86	<b>4071389797</b>	Filter	1
87	<b>4071389706</b>	Tube, Short-L=270mm	X
88	<b>4055035382</b>	Spring	X
90	<b>4055035390</b>	Union, Pipe-Solenoid Valve	2
91	<b>4055035408</b>	Solenoid	1
92	<b>4055035416</b>	Tube, L=335mm	X
93	<b>4055035424</b>	Solenoid	1
95	<b>50299671003</b>	Seal, O-Ring	X
96	<b>4071397949</b>	Joiner, Jug	1
98	<b>4055067575</b>	Seal, O-Ring	X
100	<b>4055035473</b>	Clamp, Hose	X
101	<b>4055067609</b>	Union, Pipe	1
102	<b>4071389490</b>	Hook	1
120	<b>4055067633</b>	Support	1
121	<b>4055035838</b>	Adjuster	1
NI	<b>4055179784</b>	Cord, Service (10 Amp)	1
NI	<b>4055067666</b>	Tube, L=170mm	1
NI	<b>4071397980</b>	Hose, L=150mm	1



ITEM	PART NUMBER	DESCRIPTION Ex. 7705	QTY
32	<b>4071397790</b>	Switch, Micro	2
33	<b>4071393716</b>	Grinder, Complete	1
34	<b>4071389870</b>	Seal	1
35	<b>4071389995</b>	Sieve, Diffuser	1
36	<b>4071389953</b>	Seal, O-Ring	3
37	<b>4055035184</b>	Diffuser Kit	1
38	<b>4071389607</b>	Fuse, Temperature	1
39	<b>4055035192</b>	Fuse, Thermal	1
40	<b>4071389615</b>	Support	1
41	<b>4071389631</b>	Spring	1
42	<b>4071389623</b>	Switch, Micro	1
43	<b>4071390068</b>	Slide	1
44	<b>4071389938</b>	Bush, Short	1
45	<b>4071389920</b>	Bush	1
46	<b>4071389649</b>	Sensor	1
47	<b>4055067518</b>	Seal, O-Ring	X
48	<b>4071389862</b>	Shaft	1
49	<b>4071389904</b>	Valve	1
50	<b>4071389912</b>	Spring	1
52	<b>4071389888</b>	Filter	1
53	<b>4055035200</b>	Generator Assembly	1
54	<b>4071391645</b>	PCB, Printed Circuit	1
56	<b>4071389805</b>	Card, Temperature Sensor	1
57	<b>4055067526</b>	Belt	1
58	<b>4055105847</b>	Transmission Kit	1
113	<b>4071389961</b>	Spring, Short	1
114	<b>4071389979</b>	Lever, Lock	1
115	<b>4055035556</b>	Screw	1
116	<b>4071390001</b>	Cap	1
117	<b>4071390019</b>	Valve	1
118	<b>4055035564</b>	Spring	1
119	<b>4071390035</b>	Piston	1

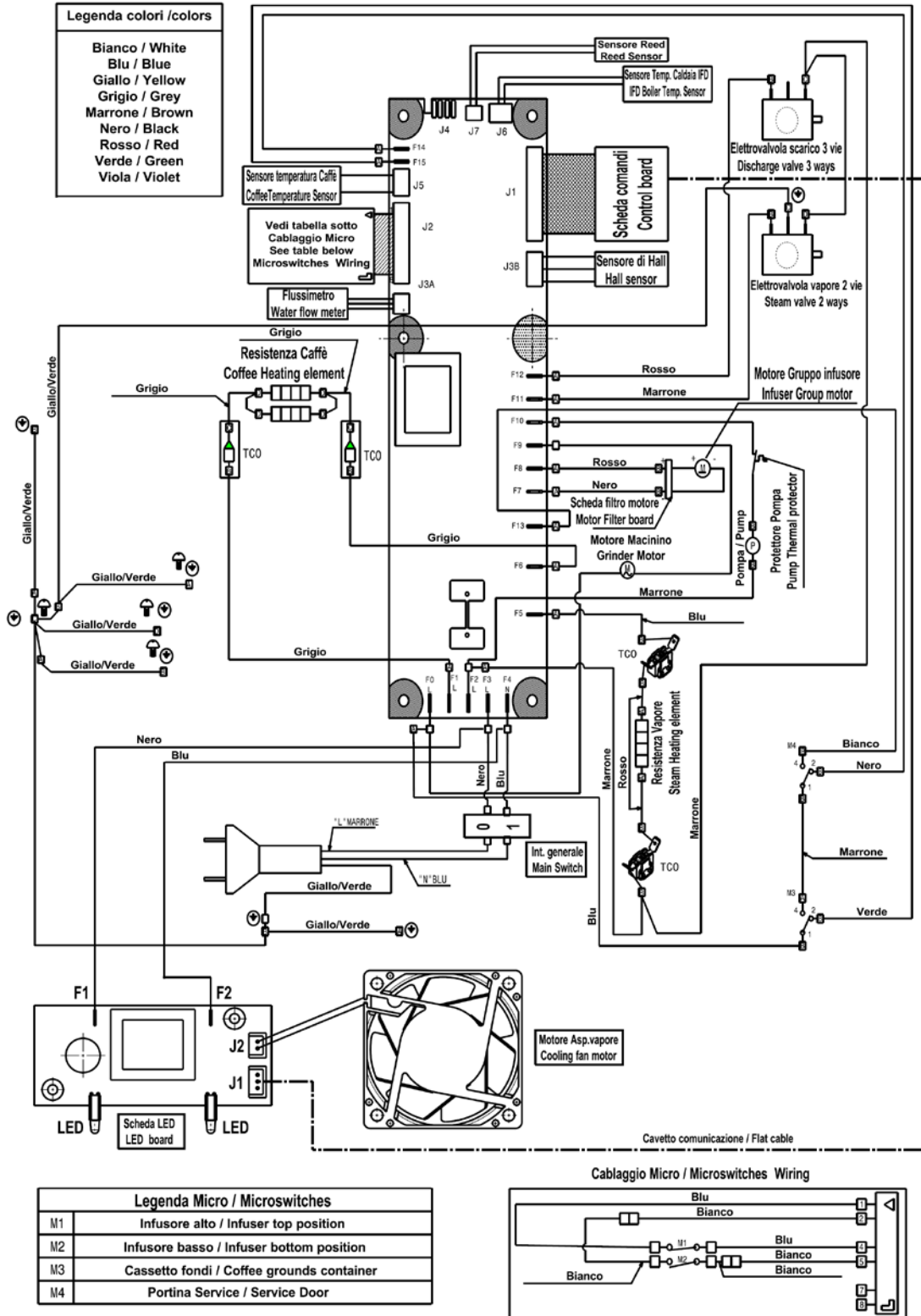
MODEL: PE4521-M  
PNC: 942492451

EX. VIEW DRAWING 7579  
WATER CONTAINER & ASSOCIATED PARTS





ITEM	PART NUMBER	DESCRIPTION Ex. 7579	QTY
06	<b>4055035010</b>	Knob, Grind Adjustment	1
07	<b>4055035028</b>	Tank	1
11	<b>4071407235</b>	Cup, Container	1
12	<b>4055035051</b>	Door Assembly	1
13	<b>4071397964</b>	Pipe, Jug-L=146mm	1
14	<b>4071389508</b>	Lid, Tank	1
15	<b>4071389516</b>	Tank, Container	1
16	<b>4055035069</b>	Trim, Profile	1
21	<b>4071407268</b>	Tube, Measuring	1
99	<b>4055067591</b>	Cover	1
107	<b>4055067617</b>	Cover, Milk Container	1
108	<b>4055067674</b>	Container, Milk	1
112	<b>4055067682</b>	Pipe, Feed	1
122	<b>4055035572</b>	Piece, Front	1
126	<b>4055067641</b>	Tube, Distribution	1
127	<b>4055035598</b>	Seal, O-Ring	1
133	<b>4055053484</b>	Seal, Jug	1
134	<b>4055051066</b>	Jug, Complete-Inox	1



**WARNING**

**IT IS ILLEGAL FOR PERSONS OTHER THAN LICENSED ELECTRICAL MECHANICS OR PERSONS AUTHORISED BY LEGISLATION TO WORK ON THE FIXED WIRING OF ANY ELECTRICAL INSTALLATION. PENALTIES FOR CONVICTION ARE SEVERE.**

**IMPORTANT SAFETY NOTICE**

**This diagram has been prepared for use by electrically qualified service technicians. Electrolux cannot be held responsible for the interpretation of its service publications nor for any injury or damage that may occur in connection with their use.**