



Electrolux

ELECTROLUX HOME PRODUCTS PTY LTD

ABN 51 004 762 341

Technical Publication N° EM006

Issue: 4

Date: 06/16

AEG/ELECTROLUX

COFFEE MACHINE

SECTION	PAGE N°
CONTROL PANEL & OTHER FUNCTIONAL PARTS	2 & 3
MAIN PCB & STEAM ELEMENT ASSEMBLY	4 & 5
GRINDER & OTHER FUNCTIONAL PARTS	6 & 7
WATER CONTAINER & ASSOCIATED PARTS	8 & 9
CIRCUIT DIAGRAM	10

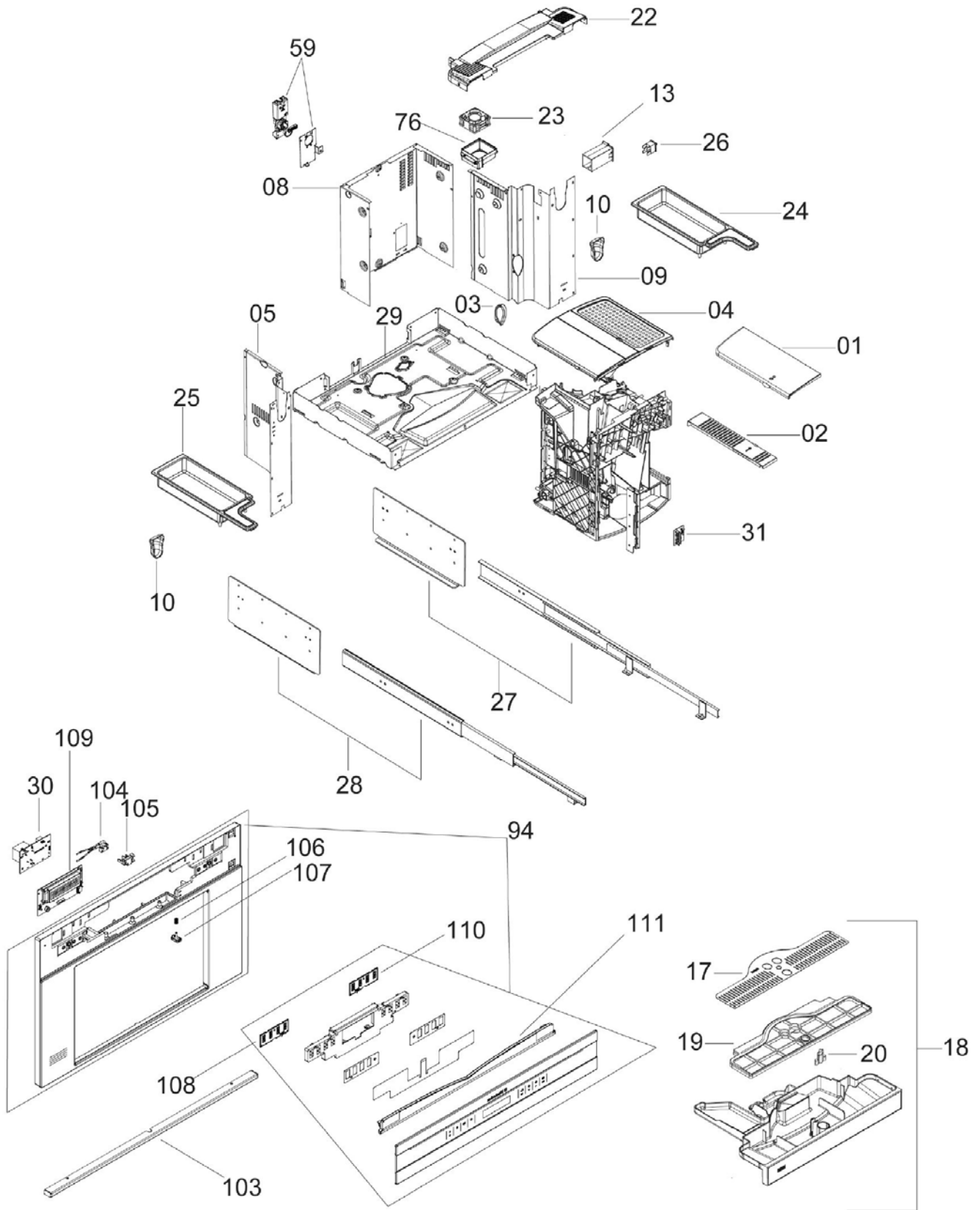
MODEL:

EBA63810X

PNC: 942492409

MODEL: EBA63810X
PNC: 942492409

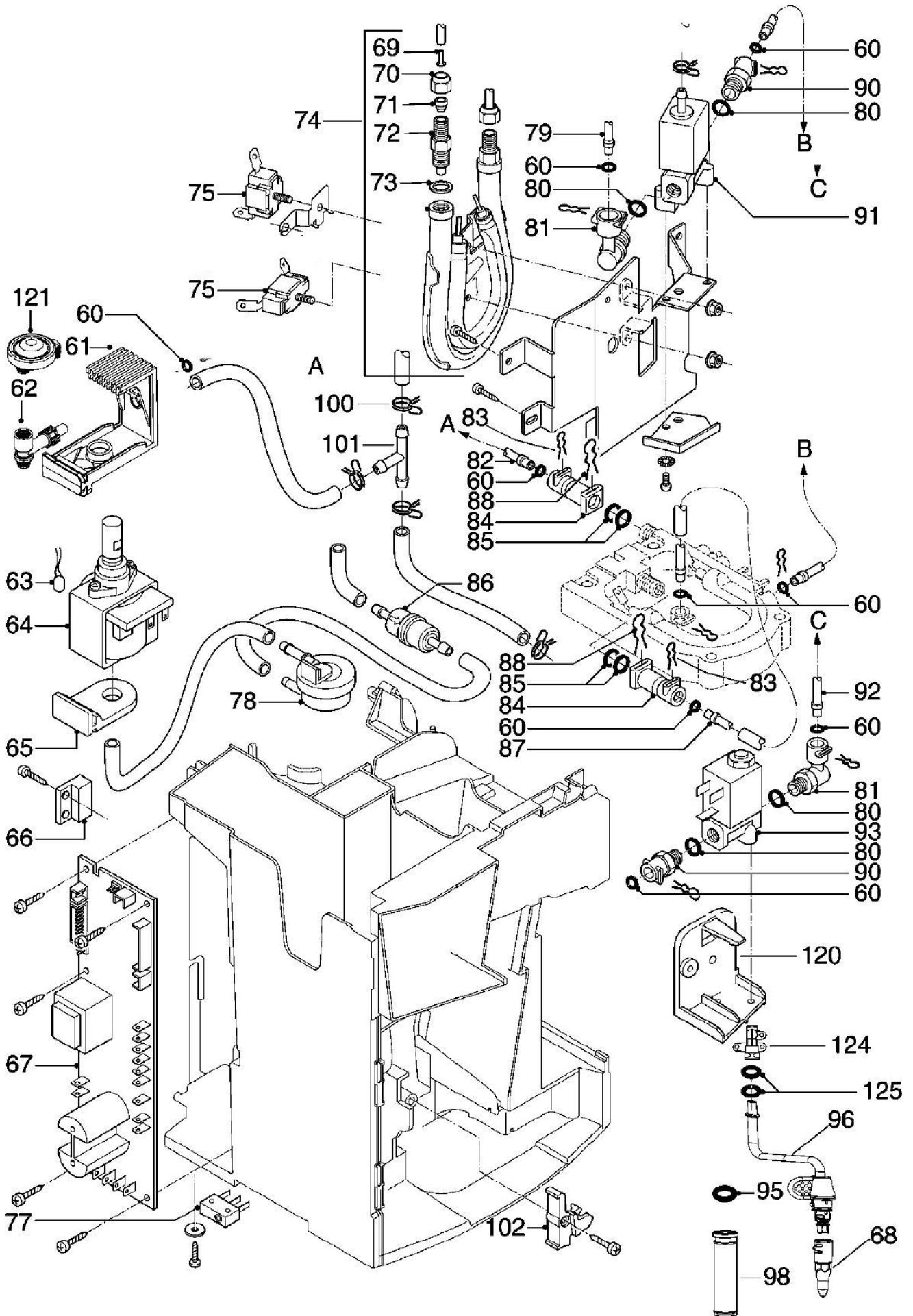
EX. VIEW DRAWING 8168
CONTROL PANEL & OTHER FUNCTIONAL PARTS



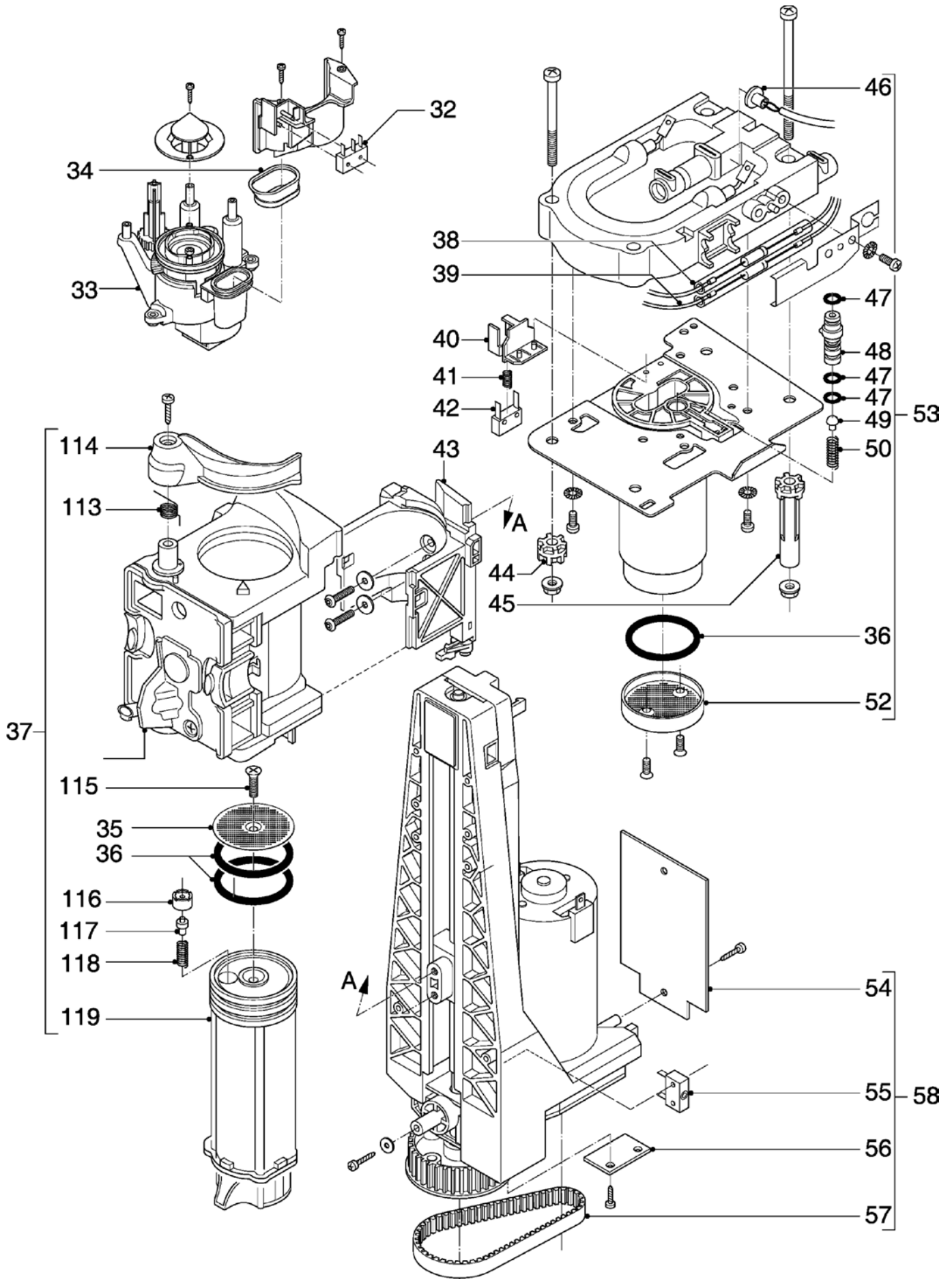
ITEM	PART NUMBER	DESCRIPTION Ex. 8168	QTY
1	4071407169	Cover, Coffee Beans	1
2	4071407037	Cover, Central - Narrow	1
3	4055034971	Insert	1
4	4055034997	Cover, Top	1
5	4055035846	Panel, Side - Left	1
8	4055035036	Panel, Rear	1
9	4055035853	Panel, Side - Right	1
10	4055035788	Lock, Door	2
13	4055035796	Support, Switch	1
17	4055035077	Support, Cup	1
18	4055035085	Tray Assembly, Water Drop	1
19	4055035093	Support	1
20	4055035101	Float	1
22	4055035119	Cover, Top - Controller	1
23	4055035127	Ventilator	1
24	4055035135	Cup, Container (Right Hand)	1
25	4055035143	Cup, Container (Left Hand)	1
26	4071404554	Switch	1
27	4055035150	Rail, Right	1
28	4055035168	Rail, Left	1
30	4055035176	PCB, Led Display	1
31	4055105839	PCB, Card	1
59	4055179784	Cord, Service (Supply Power)	1
76	4055035325	Support, Bezel	1
94	4055167268	Frame Assembly	1
103	4055035820	Support	1
104	4055035499	Switch, Micro	1
105	4055035507	Support	1
106	4055035515	Spring	1
107	4055035523	Button, Push On/Off	1
108	4055035861	PCB, Display Card	1
109	4055119459	PCB, Control And Display	1
110	4055035887	PCB, Display Card	1
111	4055035895	PCB, Led Display	1
NI	4055179784	Cord, Service (10 Amp)	1

MODEL: EBA63810X
PNC: 942492409

EX. VIEW DRAWING 8171
MAIN PCB & STEAM ELEMENT ASSEMBLY



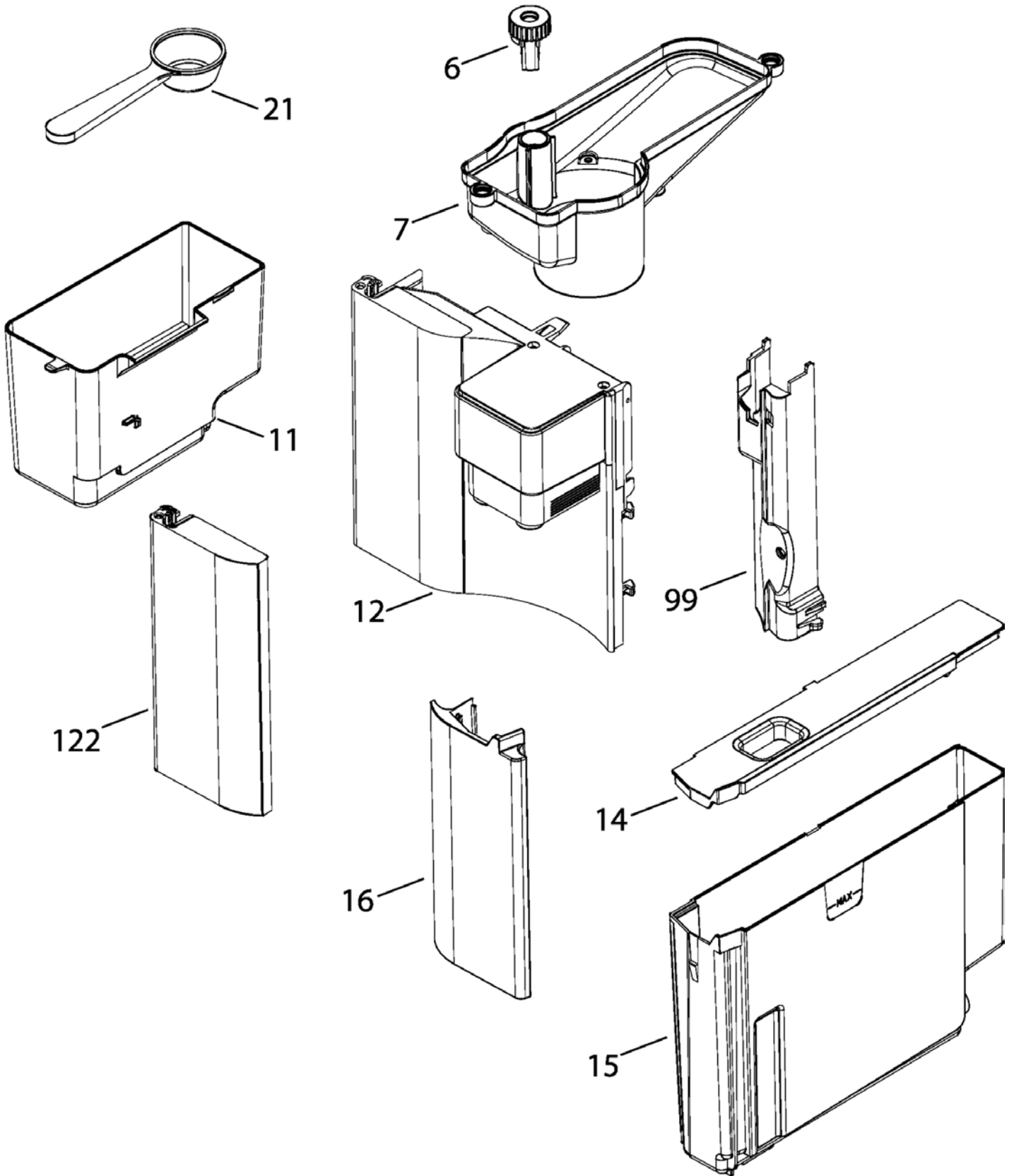
ITEM	PART NUMBER	DESCRIPTION Ex. 8171	QTY
46	4071389649	Sensor, Brewing Unit	1
60	4055067534	O-Ring	X
61	4055035234	Support, Pump	1
62	4055167227	Valve	1
63	4071389698	Fuse, Temperature Limiter	1
64	4071389680	Pump	1
65	4071390050	Bracket, Pump	1
66	4071389821	Sensor, Reed	1
67	4055164414	PCB, Power Board	1
68	4071389755	Connector, Tube, Plastic, Black, 39mm	1
69	4055035275	Shaft	2
70	4055035283	Nut	2
71	4055035291	Bush	2
72	4055035309	Union, Pipe	2
73	4055035317	Ring	2
74	4071404604	Element Assembly, Heater	1
75	4071404588	Fuse, Temperature	2
77	4071407557	Switch, Micro	1
78	4055167235	Meter, Flow	1
79	4055131462	Tube, PTFE DI2-DE4 135 1b	X
80	4055035341	Seal	X
81	4055035358	Union, Valve, Solenoid	2
82	4055131454	Tube, PTFE 150 DL2-4 2bush	X
83	4071389599	Spring, Clamp	X
84	4055035366	Connection, Heating Element, White	2
85	4055067567	O-Ring	X
86	4071389797	Filter	1
87	4055167243	Tube, With, Bush, PTFE DI2-DI4 L=270	X
88	4055035382	Spring	X
90	4055035390	Union, Valve, Solenoid	2
91	4055035408	Solenoid	1
92	4055167250	Tube & Bush, PTFE DI2-DE4 L=335	X
93	4055035424	Valve, Electric	1
95	4071391637	O-Ring, Large, Red	1
96	4055105870	Tube	1
98	4071405858	Nozzle, Cappuccino - Chrome Plated	1
100	4055035473	Clamp, Hose	X
101	4055167276	Connector	1
102	4071389490	Hook	1
120	4071397923	Support	1
121	4055035838	Adjuster	1
124	4055035580	Support	1
125	4055035598	O-Ring	2



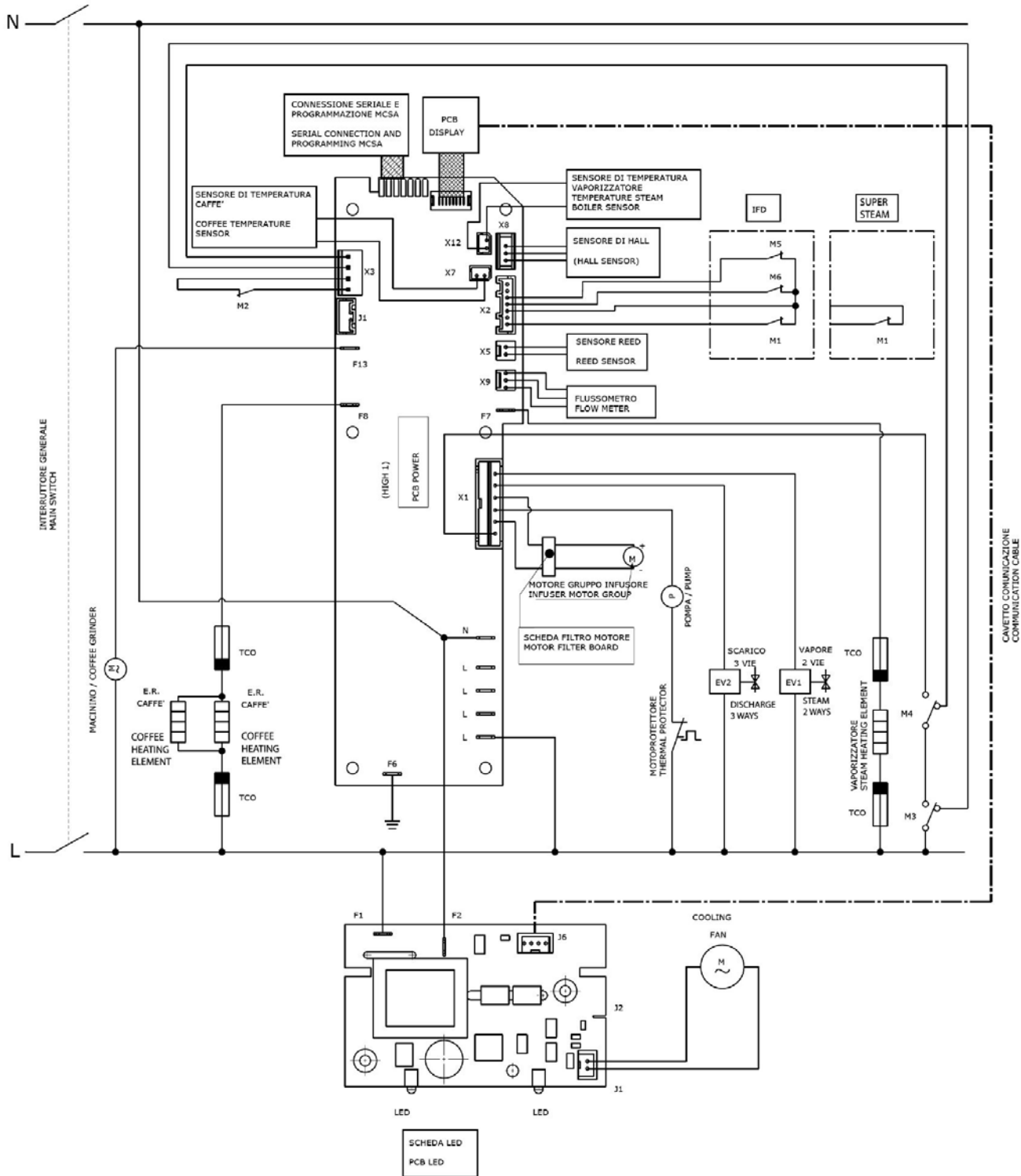
ITEM	PART NUMBER	DESCRIPTION Ex. 7590	QTY
32	4071389789	Switch, Micro	1
33	4071393716	Grinder, Complete	1
34	4071389870	Seal, Grinder	1
35	4071389995	Sieve, Diffuser	1
36	4071389953	Seal, O-Ring	3
37	4055035184	Diffuser Kit	1
38	4071389607	Fuse, Temperature	1
39	4055035192	Fuse, Thermal	1
40	4071389615	Support	1
41	4071389631	Spring	1
42	4071389623	Switch, Micro	1
43	4071390068	Slide	1
44	4071389938	Bush, Short-Hopper	1
45	4071389920	Bush	1
46	4071389649	Sensor	1
47	4071389847	Seal, O-Ring	3
48	4071389862	Shaft	1
49	4071389904	Valve	1
50	4071389912	Spring	1
52	4071389888	Filter	1
53	4055035200	Generator Assembly	1
54	4071391645	PCB, Printed Circuit-Drive Assembly	1
55	4071397790	Switch, Micro	1
56	4071389805	Card, Temperature Sensor	1
57	4071389946	Belt	1
58	4071389896	Transmission Kit	1
113	4071389961	Spring, Short	1
114	4071389979	Lever, Lock	1
115	4055035556	Screw	1
116	4071390001	Cap	1
117	4071390019	Valve	1
118	4055035564	Spring	1
119	4071390035	Piston	1

MODEL: EBA63810X
PNC: 942492409

EX. VIEW DRAWING 7591
WATER CONTAINER & ASSOCIATED PARTS



ITEM	PART NUMBER	DESCRIPTION Ex. 7591	QTY
6	4055035010	Knob, Grind Adjustment	1
7	4055035028	Hopper, Coffee	1
11	4055167284	Container, Used Coffee	1
12	4055035051	Door Assembly	1
14	4071389508	Lid, Tank	1
15	4071389516	Container, Water & (Water Filter)	1
16	4055035069	Trim, Front Panel	1
21	4071407268	Spoon, Coffee Measuring	1
99	4055035465	Trim, Cover	1
122	4055035572	Trim, Front Panel	1



WARNING

IT IS ILLEGAL FOR PERSONS OTHER THAN LICENSED ELECTRICAL MECHANICS OR PERSONS AUTHORISED BY LEGISLATION TO WORK ON THE FIXED WIRING OF ANY ELECTRICAL INSTALLATION. PENALTIES FOR CONVICTION ARE SEVERE.

IMPORTANT SAFETY NOTICE

This diagram has been prepared for use by electrically qualified service technicians. Electrolux cannot be held responsible for the interpretation of its service publications nor for any injury or damage that may occur in connection with their use.