



# Electrolux

**ELECTROLUX HOME PRODUCTS PTY LTD**

ABN 51 004 762 341

Technical Publication N° EM010

Issue: 2

Date: 06/16

## **AEG**

## **COFFEE MACHINE**

| <b>SECTION</b>                         | <b>PAGE N°</b> |
|--|----------------|
| CONTROL PANEL & OTHER FUNCTIONAL PARTS | 2 & 3          |
| MAIN PCB & STEAM ELEMENT ASSEMBLY      | 4 & 5          |
| GRINDER & OTHER FUNCTIONAL PARTS       | 6 & 7          |
| WATER CONTAINER & ASSOCIATED PARTS     | 8 & 9          |
| CIRCUIT DIAGRAM                        | 10             |

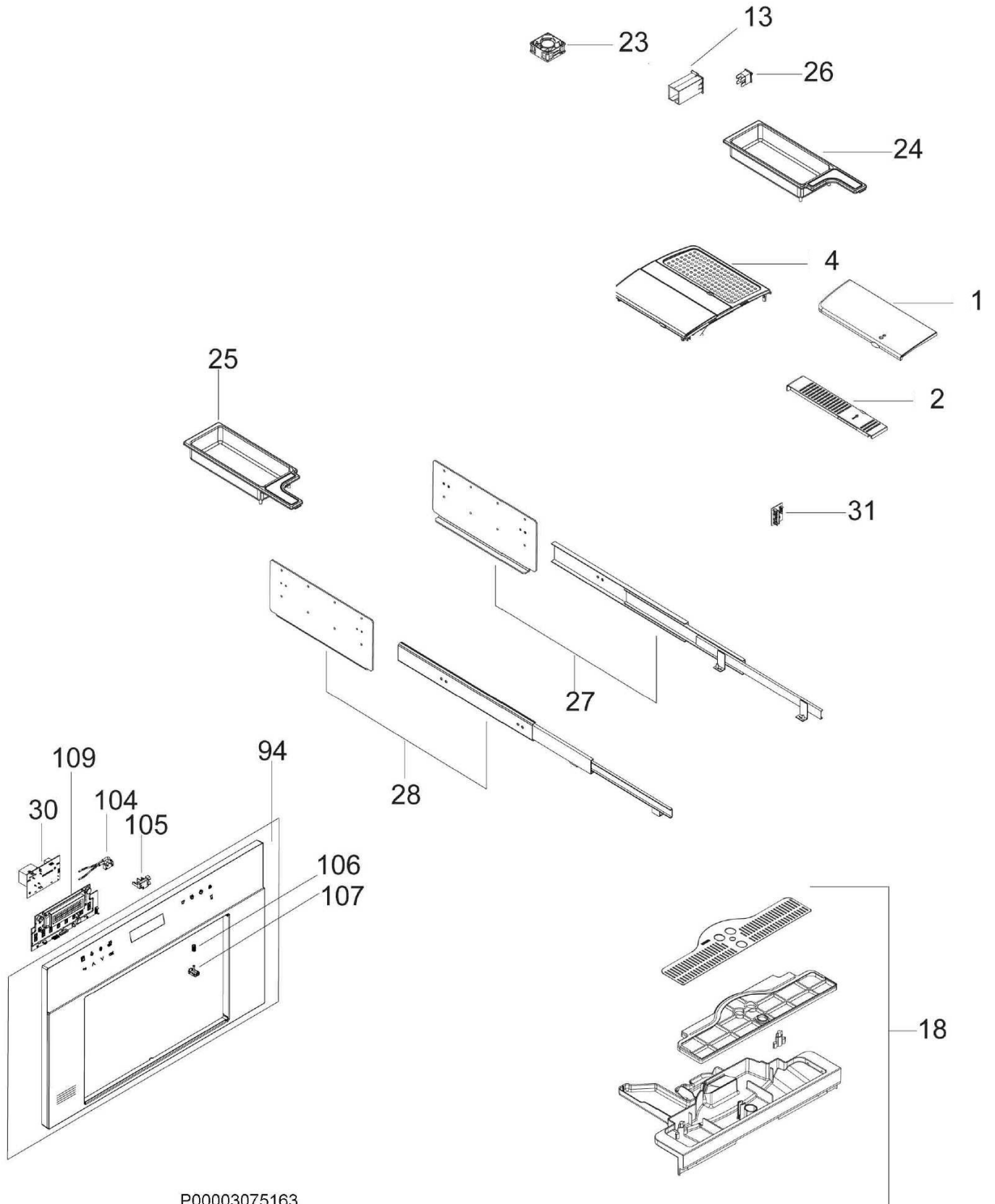
**MODEL:**

**PE4571-M**

**PNC: 94240121700**

MODEL: PE4571-M  
PNC: 94240121700

EX. VIEW DRAWING P0003075163  
CONTROL PANEL & OTHER FUNCTIONAL PARTS

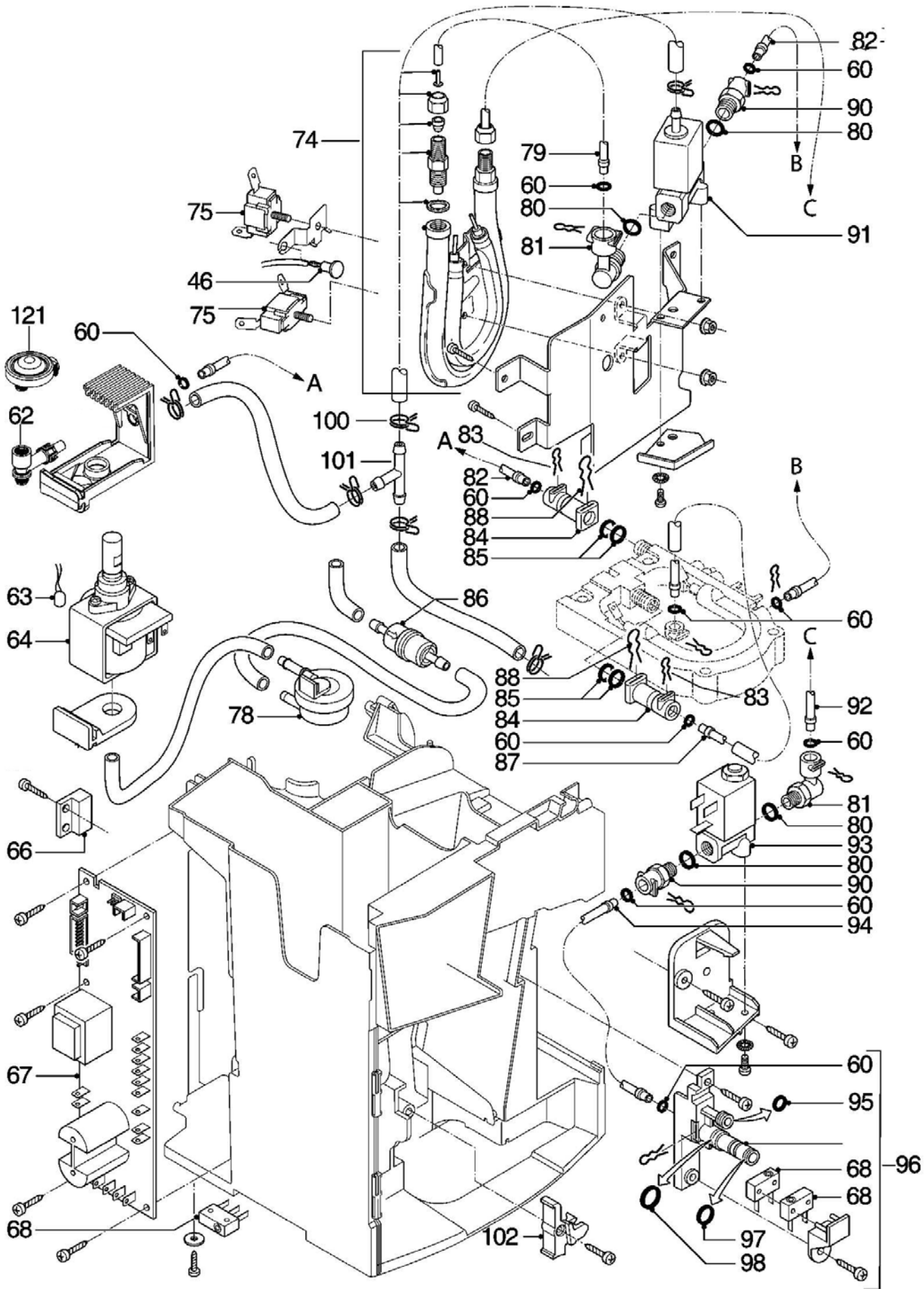


P0003075163

| <b>ITEM</b> | <b>PART NUMBER</b> | <b>DESCRIPTION Ex. P00003075163</b> | <b>QTY</b> |
|-------------|--------------------|-------------------------------------|------------|
| 1           | <b>4071407169</b>  | Cover, Coffee                       | 1          |
| 2           | <b>4071407037</b>  | Cover, Central -Narrow              | 1          |
| 4           | <b>4055034997</b>  | Closure                             | 1          |
| 13          | <b>4055035796</b>  | Support                             | 1          |
| 18          | <b>4055105821</b>  | Tray Assembly, Drop                 | 1          |
| 23          | <b>4055035127</b>  | Ventilator                          | 1          |
| 24          | <b>4055035135</b>  | Container, R/Hand                   | 1          |
| 25          | <b>4055035143</b>  | Container, L/Hand                   | 1          |
| 26          | <b>4071404554</b>  | Switch                              | 1          |
| 27          | <b>4055035150</b>  | Rail, Right                         | 1          |
| 28          | <b>4055035168</b>  | Rail, Left                          | 1          |
| 30          | <b>4055035176</b>  | PCB, Led                            | 1          |
| 31          | <b>4055105839</b>  | PCB, Terminal Card                  | 1          |
| 94          | <b>4055304176</b>  | Frame Assembly                      | 1          |
| 104         | <b>4055035499</b>  | Switch, Micro                       | 1          |
| 105         | <b>4055035507</b>  | Support, Switch                     | 1          |
| 106         | <b>4055035515</b>  | Spring, Push Button                 | 1          |
| 107         | <b>4055035523</b>  | Button, Push - On/Off               | 1          |
| 109         | <b>4055276119</b>  | PCB, Display                        | 1          |

MODEL: PE4571-M  
PNC: 94240121700

EX. VIEW DRAWING P0003025845  
MAIN PCB & STEAM ELEMENT ASSEMBLY

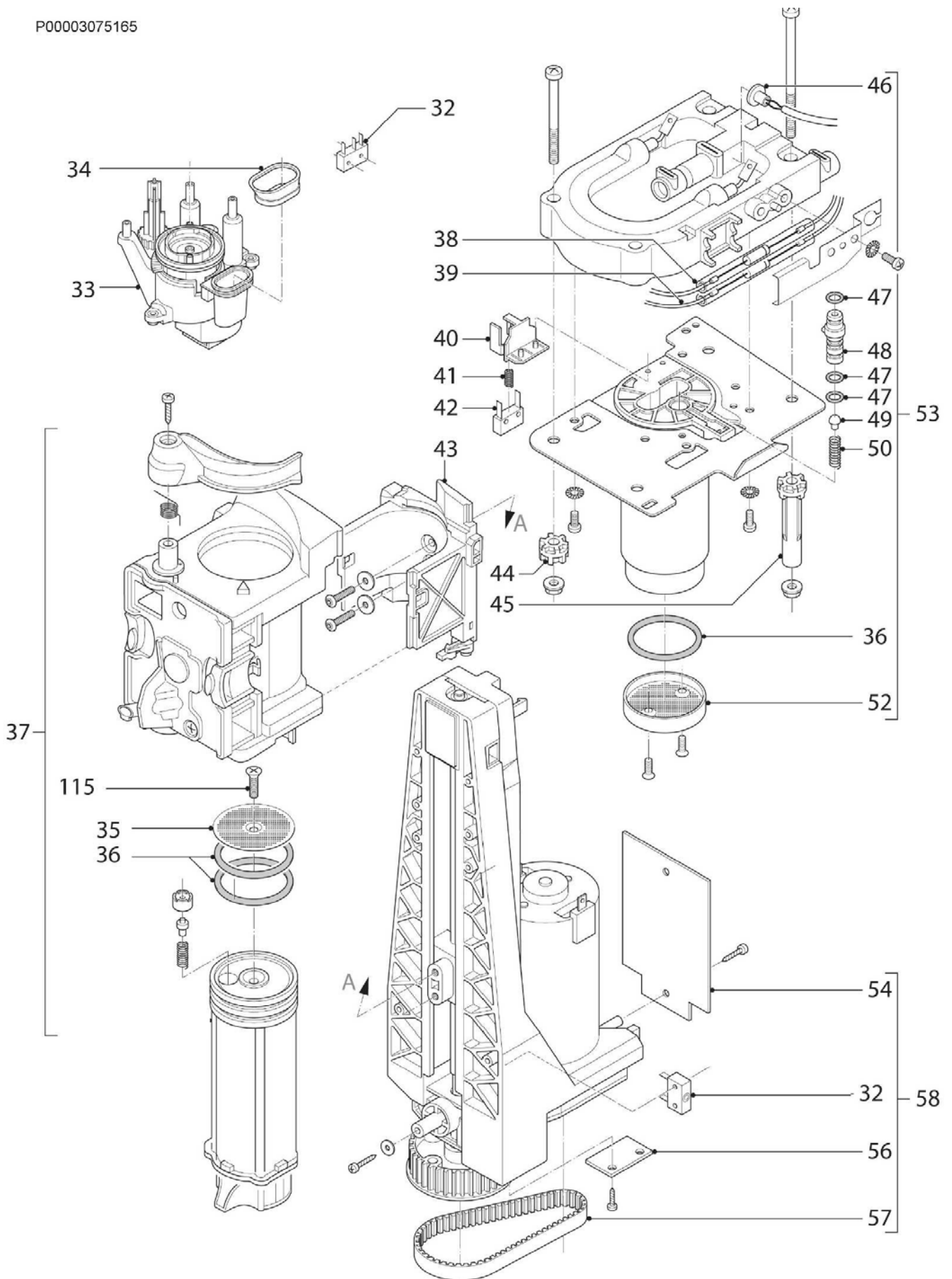


| <b>ITEM</b> | <b>PART NUMBER</b> | <b>DESCRIPTION Ex. P00003025845</b> | <b>QTY</b> |
|-------------|--------------------|-------------------------------------|------------|
| 46          | <b>4071389649</b>  | Sensor, NTC                         | 1          |
| 60          | <b>4055067534</b>  | Seal, O-Ring                        | X          |
| 62          | <b>4055167227</b>  | Valve                               | 1          |
| 63          | <b>4071389698</b>  | Fuse, Temperature Limiter           | 1          |
| 64          | <b>4071389680</b>  | Pump                                | 1          |
| 66          | <b>4071389821</b>  | Sensor, Reed                        | 1          |
| 67          | <b>4055194510</b>  | PCB, Power Board                    | 1          |
| 68          | <b>4071389623</b>  | Switch, Micro                       | 3          |
| 74          | <b>4071404604</b>  | Element Assembly, Steamer           | 1          |
| 75          | <b>4071404588</b>  | Fuse, Temperature                   | 2          |
| 78          | <b>4055067559</b>  | Gauge, Water                        | 1          |
| 79          | <b>4055291654</b>  | Tube, L=135 To Valve Solenoid       | 1          |
| 80          | <b>4055035341</b>  | Seal, O-Ring                        | X          |
| 81          | <b>4055035358</b>  | Union Pipe, Solenoid Valve          | 2          |
| 82          | <b>4055131454</b>  | Tube, PTFE 150 DL2-4 2 Bush         | 2          |
| 83          | <b>4071389599</b>  | Clip, Spring                        | X          |
| 84          | <b>4055035366</b>  | Connection, Heating Element, White  | 2          |
| 85          | <b>4055067567</b>  | Seal, O-Ring                        | X          |
| 86          | <b>4071389797</b>  | Filter, Water                       | 1          |
| 87          | <b>4055167243</b>  | Tube & Bush, PTFE DI2-DI4 L=270     | X          |
| 88          | <b>4055035382</b>  | Clip, Spring                        | X          |
| 90          | <b>4055035390</b>  | Union, Pipe (Solenoid Valve)        | 2          |
| 91          | <b>4055302949</b>  | Valve, Solenoid From Steamer        | 1          |
| 92          | <b>4055291647</b>  | Tube, L=335 To Valve Electric       | X          |
| 93          | <b>4055286977</b>  | Valve, Electric                     | 1          |
| 94          | <b>4055254124</b>  | Tube & Bush, L=170 DI2-DE4 PTFE     | 1          |
| 95          | <b>50299671003</b> | Seal, O-Ring - Green                | X          |
| 96          | <b>4055167334</b>  | Joint Assembly, Jug                 | 1          |
| 97          | <b>4055067518</b>  | Seal, O-Ring                        | 1          |
| 98          | <b>4055067575</b>  | Seal, O-Ring                        | 1          |
| 100         | <b>4055035473</b>  | Clamp, Hose                         | X          |
| 101         | <b>4055067609</b>  | Pipe, Union                         | 1          |
| 102         | <b>4071389490</b>  | Hook                                | 1          |
| 121         | <b>4055035838</b>  | Adjuster                            | 1          |
|             |                    |                                     |            |
| NI          | <b>4055179784</b>  | Cord, Service (10 Amp)              | 1          |

MODEL: PE4571-M  
PNC: 94240121700

EX. VIEW DRAWING P0003075165  
GRINDER & OTHER FUNCTIONAL PARTS

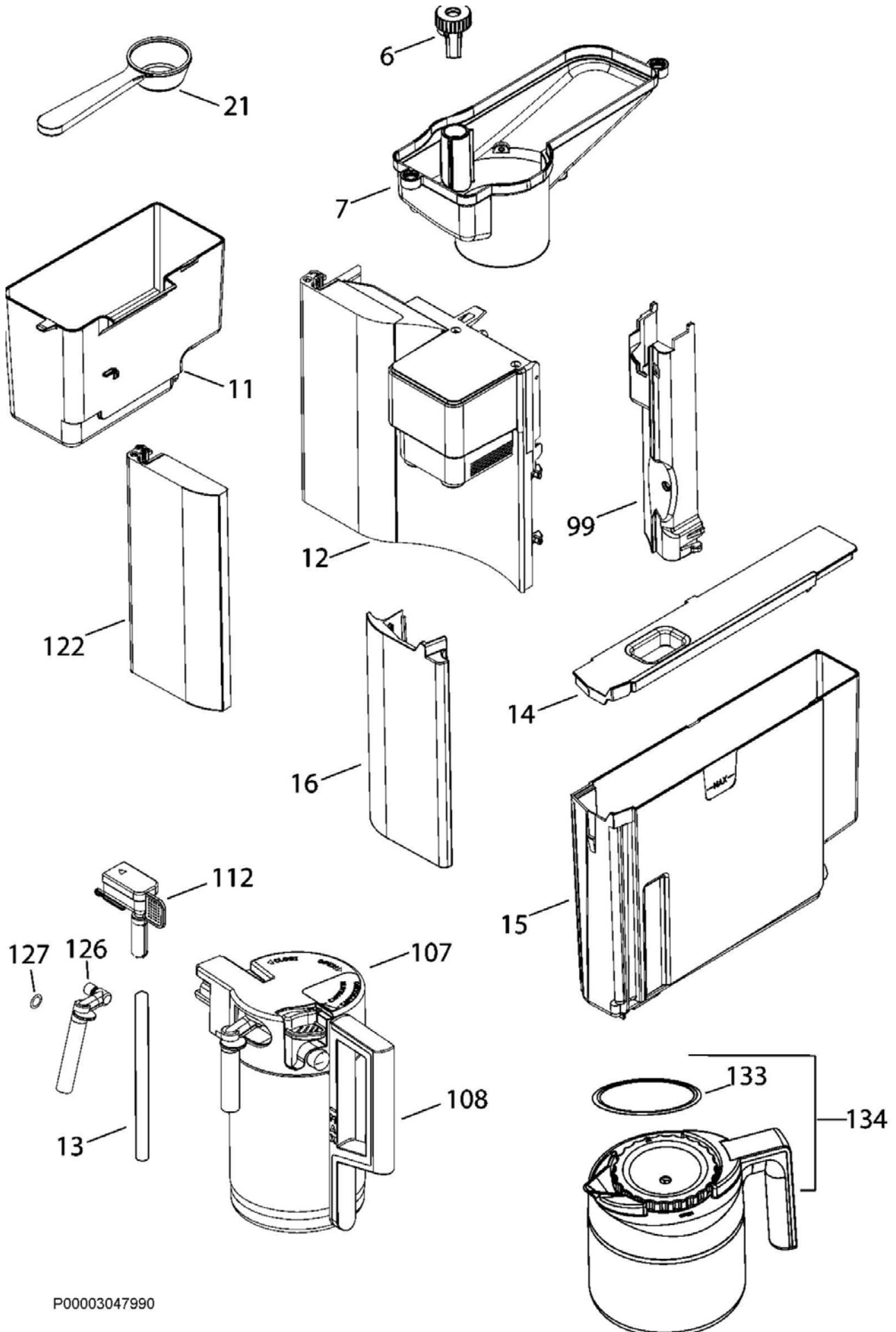
P0003075165



| <b>ITEM</b> | <b>PART NUMBER</b> | <b>DESCRIPTION Ex. P00003075165</b> | <b>QTY</b> |
|-------------|--------------------|-------------------------------------|------------|
| 32          | <b>4071397790</b>  | Switch, Micro                       | 2          |
| 33          | <b>4071393716</b>  | Grinder, Complete                   | 1          |
| 34          | <b>4071389870</b>  | Sealing                             | 1          |
| 35          | <b>4071389995</b>  | Sieve, Diffuser                     | 1          |
| 36          | <b>4071389953</b>  | Seal, O-Ring                        | 3          |
| 37          | <b>4055035184</b>  | Brewing Unit Kit                    | 1          |
| 38          | <b>4071389607</b>  | Fuse, Temperature                   | 1          |
| 39          | <b>4055035192</b>  | Fuse, Thermal                       | 1          |
| 40          | <b>4071389615</b>  | Support, Micro Switch               | 1          |
| 41          | <b>4071389631</b>  | Spring, Micro Switch                | 1          |
| 42          | <b>4071389623</b>  | Switch, Micro                       | 1          |
| 43          | <b>4071390068</b>  | Slide, Brewing Unit                 | 1          |
| 44          | <b>4071389938</b>  | Bush, Short                         | 2          |
| 45          | <b>4071389920</b>  | Bush, Long                          | 2          |
| 46          | <b>4071389649</b>  | Sensor, NTC                         | 1          |
| 47          | <b>4055067518</b>  | Seal, O-Ring                        | 3          |
| 48          | <b>4071389862</b>  | Shaft                               | 1          |
| 49          | <b>4071389904</b>  | Valve                               | 1          |
| 50          | <b>4071389912</b>  | Spring                              | 1          |
| 52          | <b>4071389888</b>  | Filter, Coffee                      | 1          |
| 53          | <b>4055035200</b>  | Boiler Assembly                     | 1          |
| 54          | <b>4055177093</b>  | Filter, PCB, Motor, GDS 230V ESAM   | 1          |
| 56          | <b>4055187456</b>  | Sensor, Hall                        | 1          |
| 57          | <b>4055067526</b>  | Belt, Transmission                  | 1          |
| 58          | <b>4055187464</b>  | Transmission, Kit Assembly          | 1          |
| 115         | <b>4055035556</b>  | Screw, Filter                       | 1          |
| N/I         | <b>4055317335</b>  | Base, Generator                     | 1          |

MODEL: PE4571-M  
PNC: 94240121700

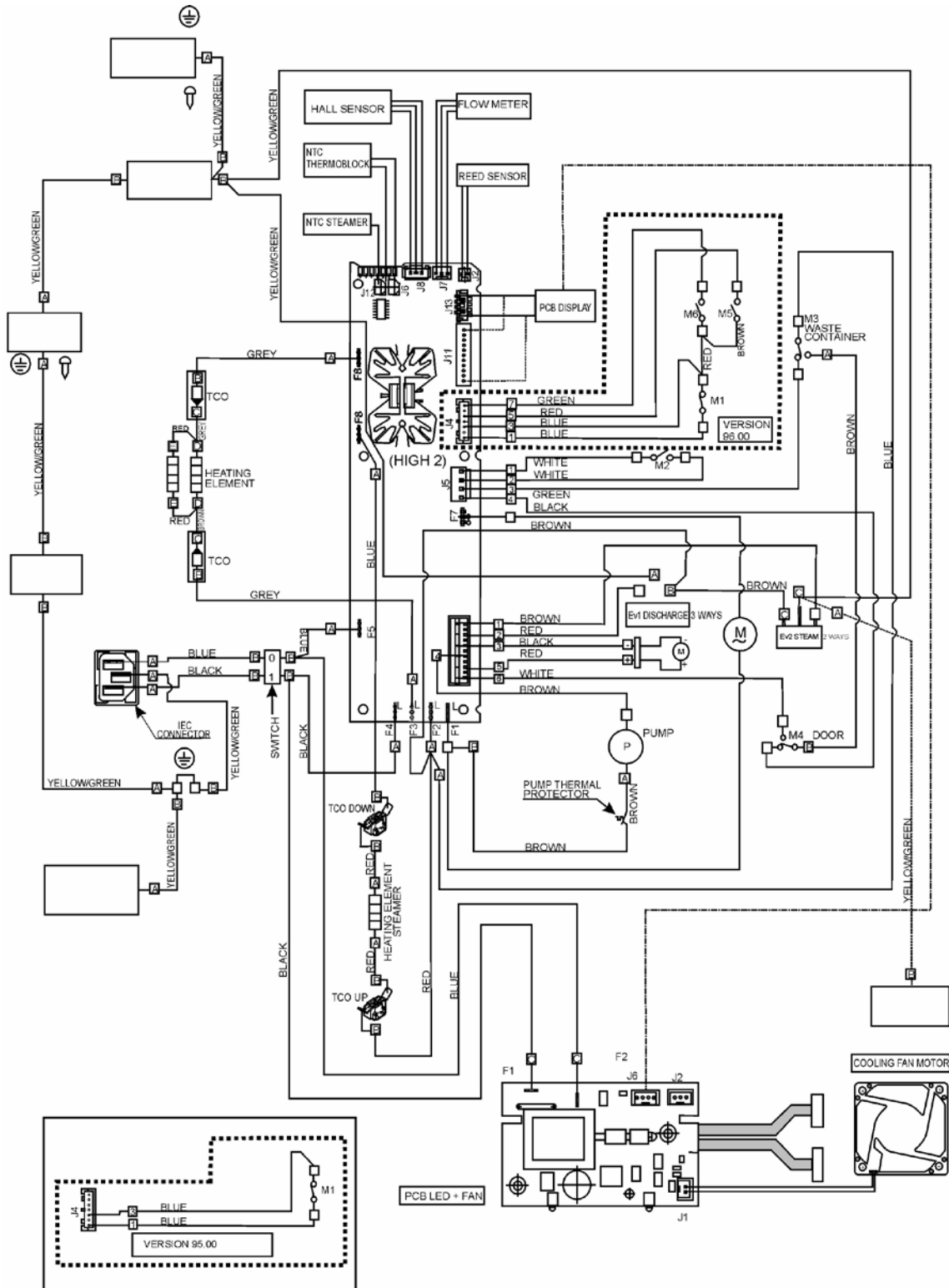
EX. VIEW DRAWING P00003047990  
WATER CONTAINER & ASSOCIATED PARTS



P00003047990



| <b>ITEM</b> | <b>PART NUMBER</b> | <b>DESCRIPTION Ex. P00003047990</b> | <b>QTY</b> |
|-------------|--------------------|-------------------------------------|------------|
| 6           | <b>4055035010</b>  | Knob, Coffee Grind Adjustment       | 1          |
| 7           | <b>4055035028</b>  | Hopper, coffee                      | 1          |
| 11          | <b>4055174025</b>  | Container, Used Coffee              | 1          |
| 12          | <b>4055035051</b>  | Door Assembly                       | 1          |
| 13          | <b>4071397964</b>  | Pipe, Jug - L=146mm.                | 1          |
| 14          | <b>4071389508</b>  | Lid, Tank                           | 1          |
| 15          | <b>4071389516</b>  | Container, Tank                     | 1          |
| 16          | <b>4055035069</b>  | Trim, Water Tank                    | 1          |
| 21          | <b>4071407268</b>  | Spoon, Measuring                    | 1          |
| 99          | <b>4055067591</b>  | Cover, Steam & Water Outlet         | 1          |
| 107         | <b>4055067617</b>  | Cover, Milk Container               | 1          |
| 108         | <b>4055251716</b>  | Container, Milk                     | 1          |
| 112         | <b>4055067682</b>  | Pipe, Water & Steam Feed            | 1          |
| 122         | <b>4055035572</b>  | Trim, Front – Brewing Unit Door     | 1          |
| 126         | <b>4055251724</b>  | Tube, Milk Distribution             | 1          |
| 127         | <b>4055035598</b>  | Seal, O-Ring - D=6mm                | 1          |
| 133         | <b>4055053484</b>  | Seal, Coffee Jug                    | 1          |
| 134         | <b>4055051066</b>  | Jug, Coffee - Complete, Inox        | 1          |



**WARNING**

IT IS ILLEGAL FOR PERSONS OTHER THAN LICENSED ELECTRICAL MECHANICS OR PERSONS AUTHORISED BY LEGISLATION TO WORK ON THE FIXED WIRING OF ANY ELECTRICAL INSTALLATION. PENALTIES FOR CONVICTION ARE SEVERE.

**IMPORTANT SAFETY NOTICE**

This diagram has been prepared for use by electrically qualified service technicians. Electrolux cannot be held responsible for the interpretation of its service publications nor for any injury or damage that may occur in connection with their use.