

# Electrolux

**ELECTROLUX HOME PRODUCTS PTY LTD**  
ABN 51 004 762 341

Technical Publication N° DR145

Issue: 2  
Date: 05/12

***ELECTROLUX***

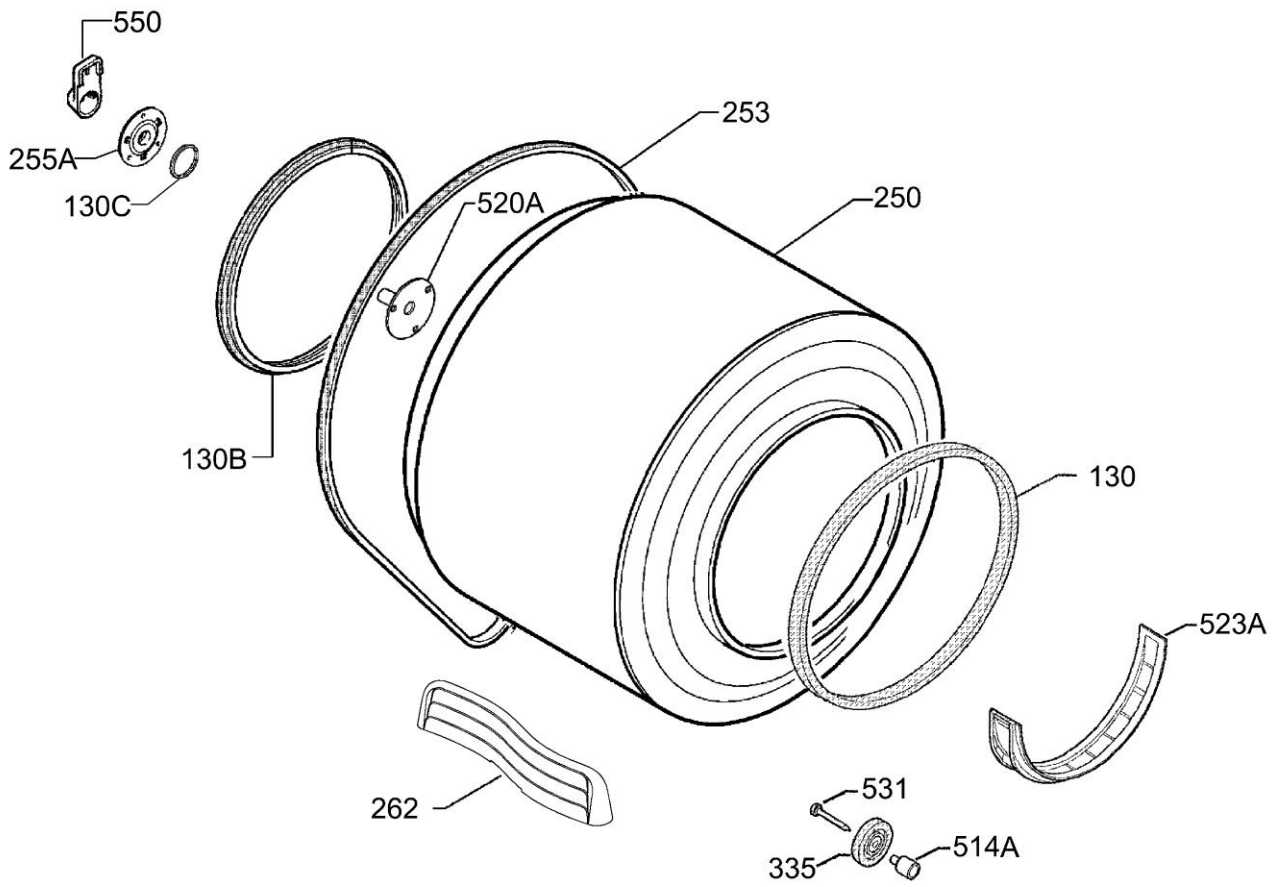
***CONDENSER DRYER***

<b>SECTION</b>	<b>PAGE N°</b>
FUNCTIONAL ASSEMBLY	2 & 3
CABINET ASSEMBLY	4 & 5
ELECTRICAL EQUIPMENT ASSEMBLY	6 & 7
CONTROL PANEL ASSEMBLY	8 & 9
DOOR ASSEMBLY	10 & 11
BASE ASSEMBLY	12 & 13
WIRING DIAGRAM	14
CIRCUIT DIAGRAM	15

**Release Date 12/09**  
**Production moved to krakow**

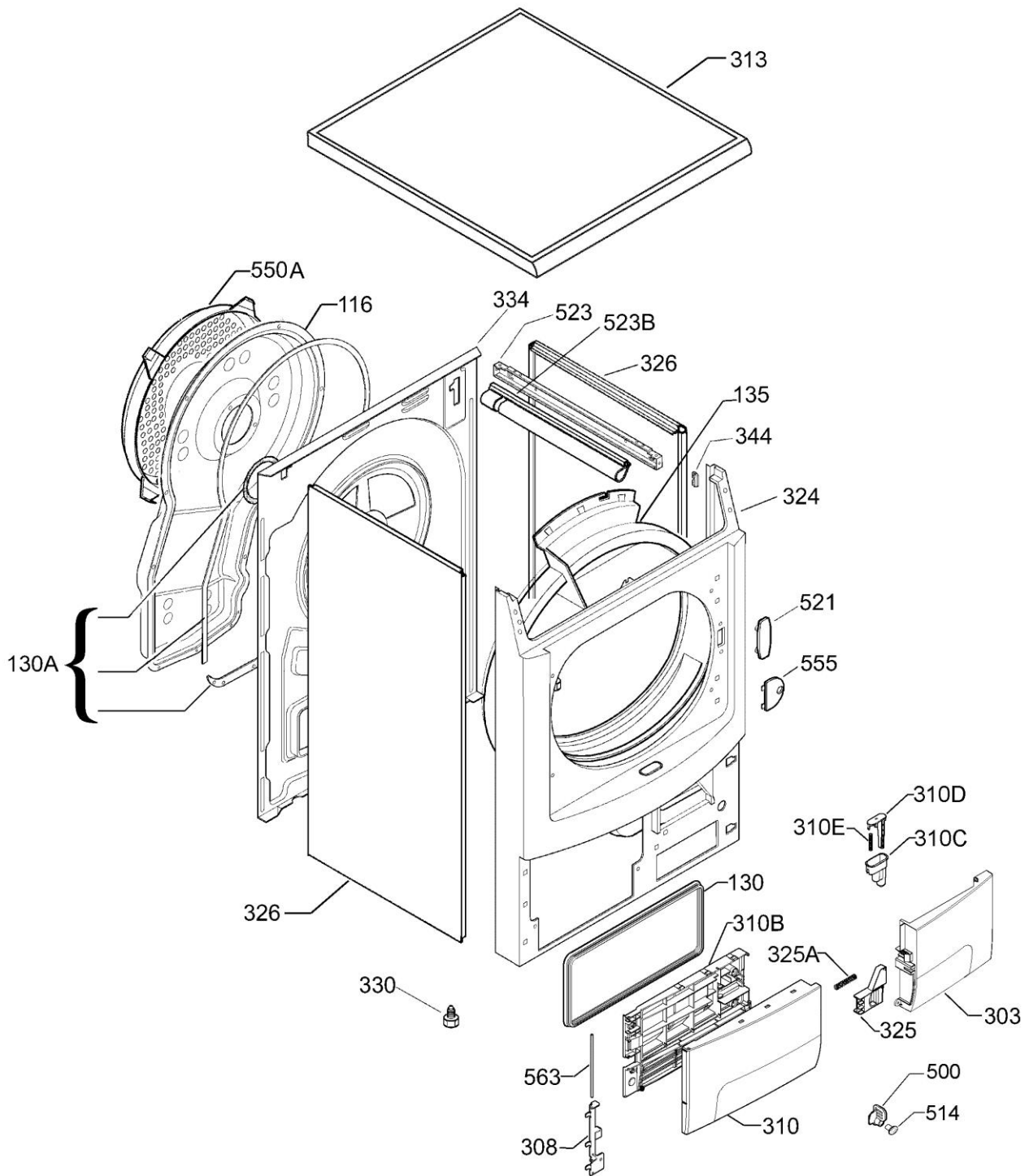
***MODEL:***

**EDC47130W**  
**PNC: 916094532 05**

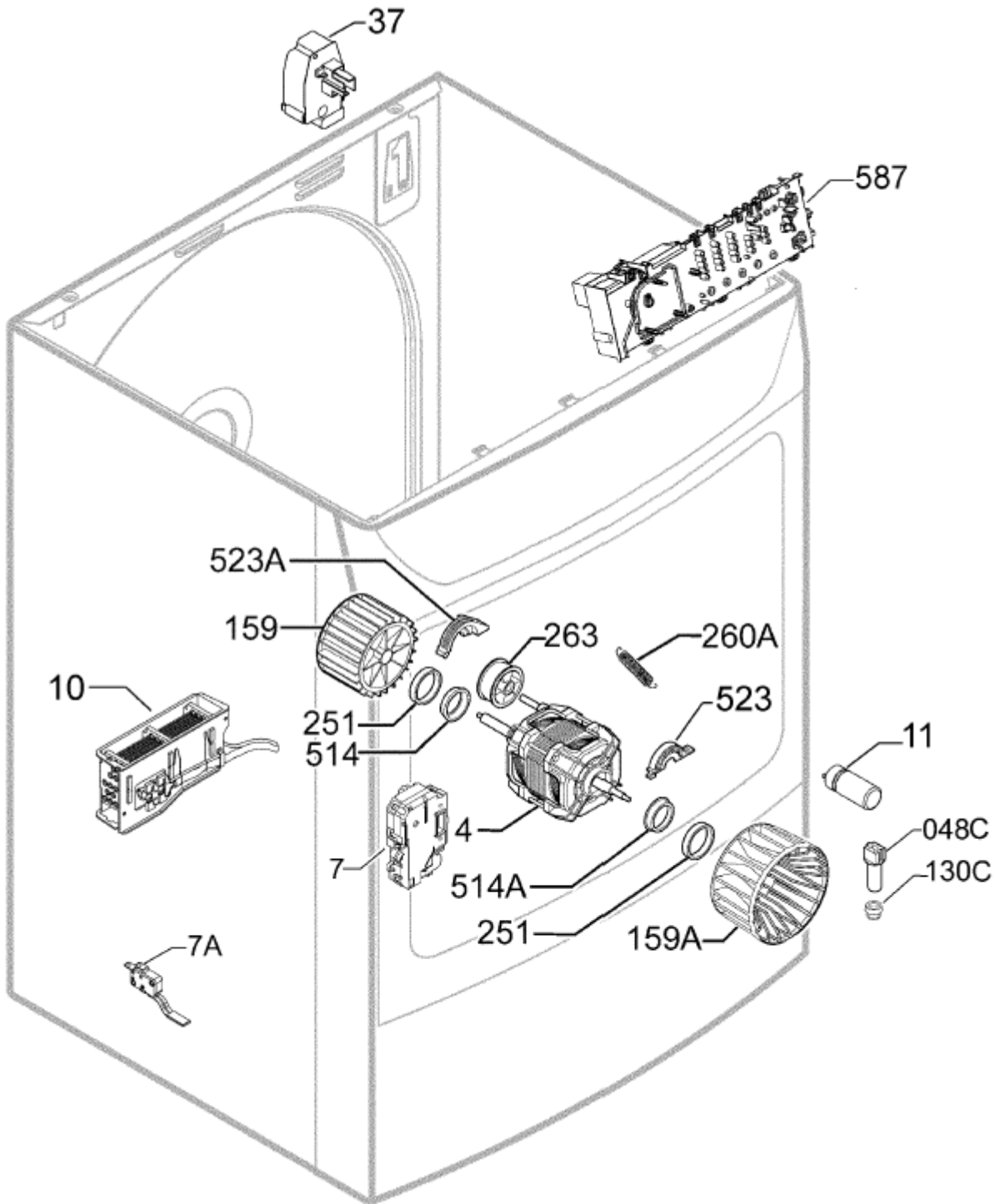


9163014204

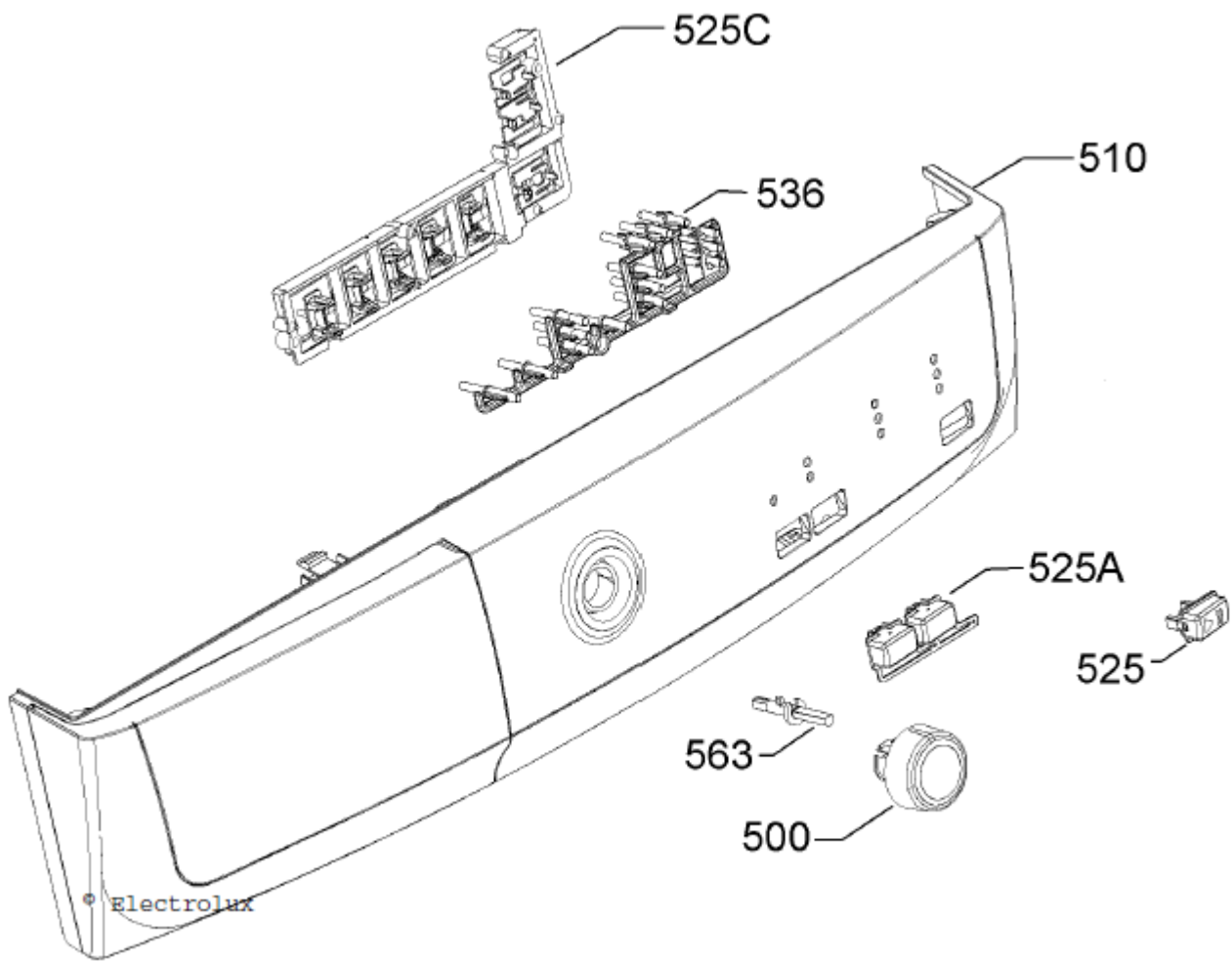
<b>Item</b>	<b>Part N°</b>	<b>Description</b>	<b>Qty</b>
130	<b>1368089106</b>	Gasket, Front, Large Opening,	1
130B	<b>1251102-22/2</b>	Drum Seal, Back, Cpl.	1
130C	<b>1258379-02/1</b>	Seal, Bearing	1
250	<b>1256910512</b>	Drum, Complete, SMART(EMZII)	1
253	<b>1258288-10/7</b>	Drive Belt, L=1975H7	1
255A	<b>1250134-11/9</b>	Bearing, Back, Complete	1
262	<b>1256522119</b>	Drum Lifter, ENV06-TC6	3
335	<b>1364059004</b>	Assembly, Roll, Channel Drainage	1
514A	<b>1254250010</b>	Bush, Support, Roller	1
520A	<b>1250232-06/1</b>	Axle Complete	1
523A	<b>1254242504</b>	Fluff Filter, Air Intake	1
531	<b>1240222-12/3</b>	Screw, Fixing, Roller, NEX4	1
550	<b>1255061077</b>	Coat, Bolt, Basket	1
NI	<b>1051185-00/5</b>	Disc, 13x18X0.5	1



<b>Item</b>	<b>Part N°</b>	<b>Description</b>	<b>Qty</b>
116	<b>1251079-03/2</b>	Bezel,Rearpanel,NEX4CONDROHS	1
130	<b>1257473007</b>	Sealing, Flap, Nx4cond.	1
130A	<b>50277852005</b>	Kit, Back Panel seal,NX4C	1
135	<b>1254360314</b>	Channel Drainage, Air, Front	1
303	<b>1256632-02/5</b>	Plinth,White,ENV06CRM	1
308	<b>1123347-00/5</b>	Hinge, Base, Flap Door	1
310	<b>1256633-02/3</b>	Support, Door, Outer	1
310B	<b>1123346-11/4</b>	Support, Inner Door	1
310C	<b>1123314104</b>	Retainer, Pushbutton	1
310D	<b>1123452-00/3</b>	Push Button, Base	1
310E	<b>1123316-01/8</b>	Pressure Spring	1
313	<b>1256638-02/2</b>	Tabletop,ENV06WHITE	1
324	<b>1364000602</b>	Front Panel, White	1
325	<b>1251093-22/3</b>	Catch,Flap,Nx4aeg	1
325A	<b>1364016004</b>	Spring, Safety, Porthole	1
326	<b>1364006-20/3</b>	Side Panel, Cabinet, White	2
330	<b>1256640-00/2</b>	Adjustable Foot	4
334	<b>1361031303</b>	Assembly, Rear Ppanel,N4C	1
344	<b>1251111-00/9</b>	Spring Latch, Fixing, Side Panel	1
500	<b>1251068-10/0</b>	Knob,Lock,Tank,NX4	1
514	<b>1254485-10/3</b>	Bush, Knob, Catch ,T.B.	1
521	<b>1254262-00/7</b>	Holecover,Frontpanel,NEX4	1
523	<b>1251075-05/5</b>	Crossbar, Stiffening, Upper	1
523B	<b>1254160-01/1</b>	Bracket,Harness,NEX/4TDC	1
550A	<b>3792679-00/7</b>	Protection,Backpanel,Nexus/4cond.	1
555	<b>1254261-00/9</b>	Decorplate,Hinge,NEX4	2
563	<b>1123311-00/1</b>	Hinge Pin	1

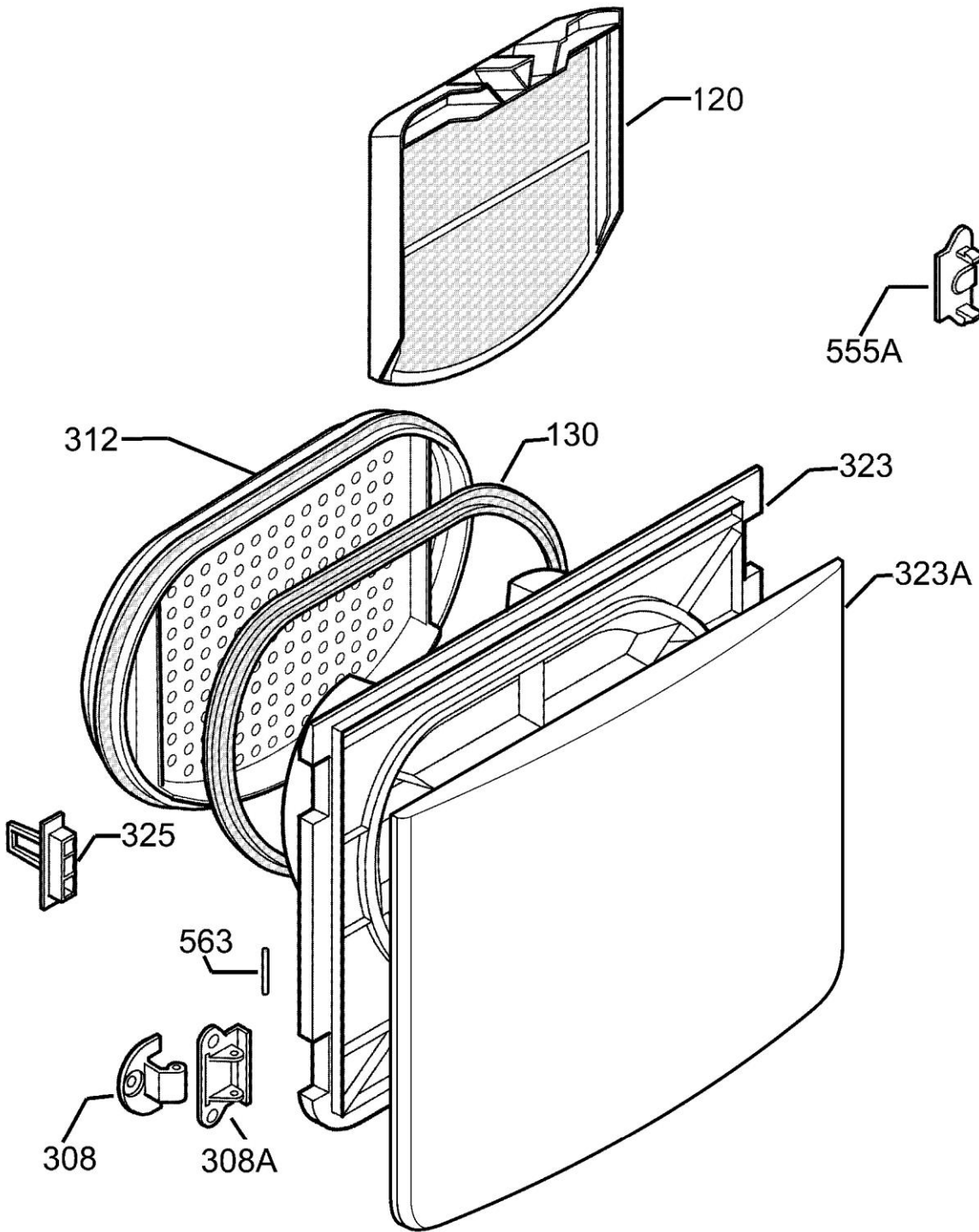


Item	Part N°	Description	Qty
004	<b>3705241176</b>	Main Motor, STACK 35mm & 32mm	1
007	<b>1254253-15/4</b>	Door Lock, EMZ NX4	1
007A	<b>1258513-16/5</b>	Micro Switch, Water	1
10	<b>1257530335</b>	Heating Element,240V 1400+600W	1
11	<b>1250020-33/4</b>	Capacitor, Motor, 8MF DUCATI	1
037	<b>1364090611</b>	Power cable with filter, AUS	1
048C	<b>1242940-10/2</b>	Sensor	1
130C	<b>1246644-00/7</b>	Sealing, Temperature Sensor	1
159	<b>1254348-01/2</b>	Fan Blade, Back, NEX4 COND.	1
159A	<b>1254349-01/0</b>	Fan Wheel, Front, NX4 COND	1
251	<b>1251060-00/8</b>	Rubber Damper, Main Motor ,Ø 49,7	1
260A	<b>1258474-01/2</b>	Tension Spring, Motor	1
263	<b>1250125-20/8</b>	Clamping Roller	1
514	<b>1251061-00/6</b>	Bush, Main Motor, White	1
514A	<b>50278238-00/6</b>	Kit, Bush, Motor, NX4C	1
523	<b>1251059-00/0</b>	Fixing Bracket, Main Motor, Front	1
523A	<b>1251058-00/2</b>	Fixing Bracket, Main Motor, Back	1
587	<b>973916094532058</b>	Configured Electronic, ENV06 LOW, 25P	1
NI	<b>1250124-01/1</b>	Washer	1
NI	<b>1360199010</b>	Harness, Complete	1
NI	<b>1258825-22/1</b>	Power Cable, AUS	1
NI	<b>1123555-00/3</b>	Felt Disc, Axle, Motor	1

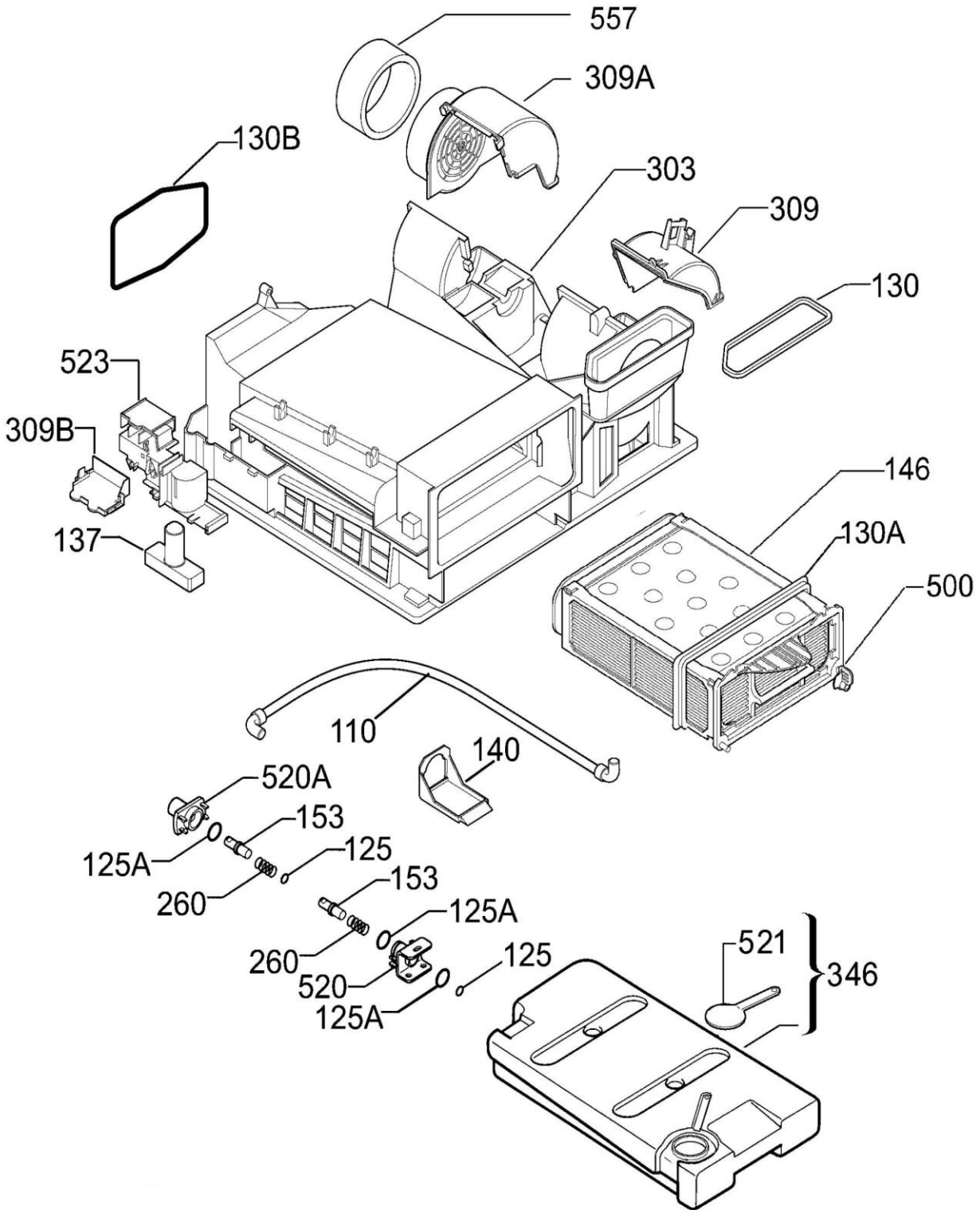




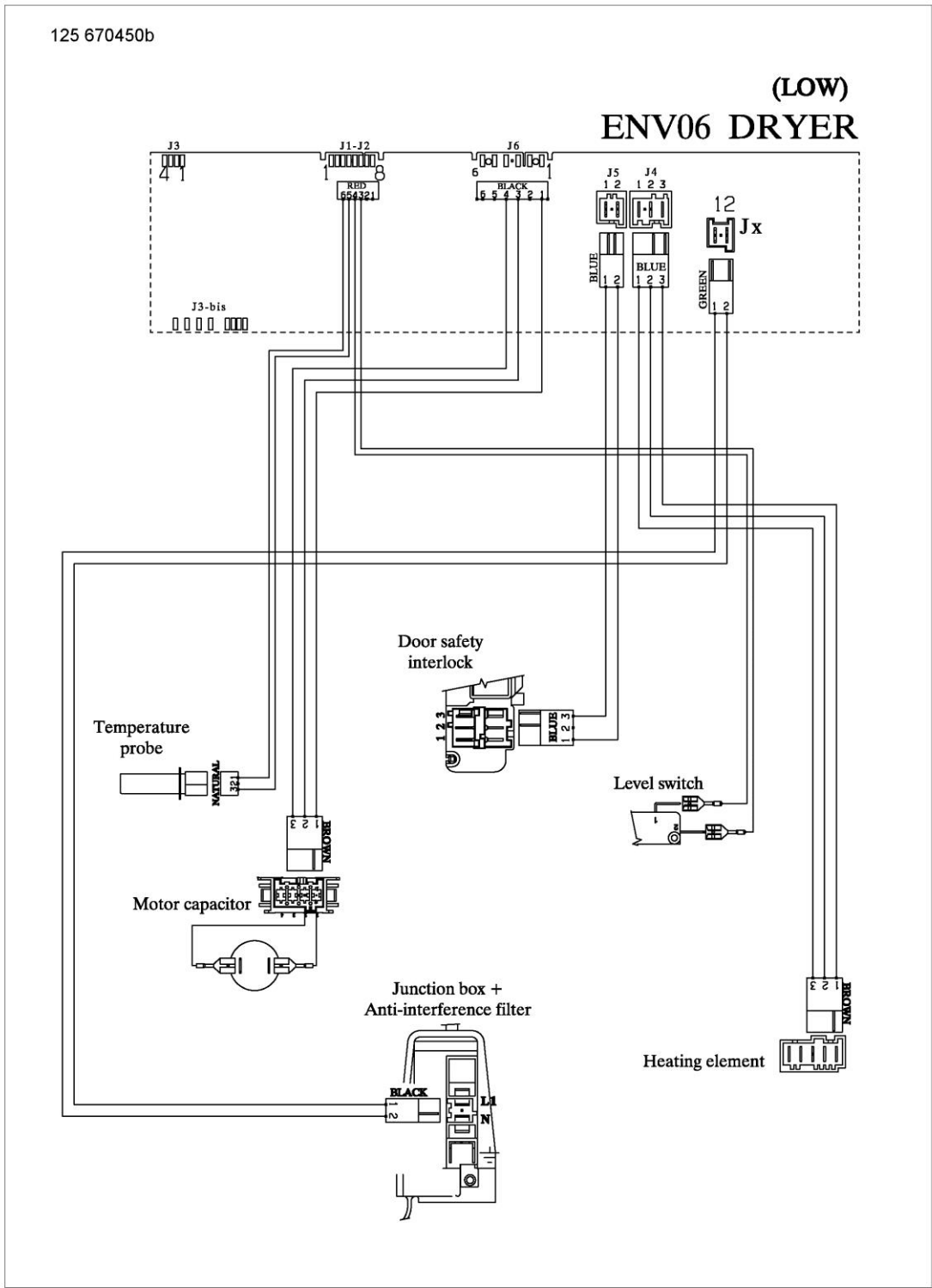
<b>Item</b>	<b>Part N°</b>	<b>Description</b>	<b>Qty</b>
500	<b>1325083-01/0</b>	Knob, Programme Selector,ENV06	1
510	<b>1368056006</b>	Control Panel, Silk Screened	1
525	<b>1325085320</b>	Push Button, Start/Pause,Silver	1
525A	<b>1325086708</b>	Button set,white, 2, TC5	1
525C	<b>1325091112</b>	Support, Push Button,TC/4/5/6	1
536	<b>1256588-00/3</b>	Diffuser,Env06 Tc3/Tc4/Tc5	1
563	<b>1257385-00/3</b>	Shaft, Selector	1



<b>Item</b>	<b>Part N°</b>	<b>Description</b>	<b>Qty</b>
120	<b>1254246-04/2</b>	Felt Filter, Door, NX4	1
130	<b>1251085-02/1</b>	Sealing, Door, NX4C	1
308	<b>1254454-01/8</b>	Door Hinge	2
308A	<b>1257523009</b>	Stiffening, Door Hinge, Plastic, NX4	2
312	<b>1254245408</b>	Locking Cap, Door, Internal, NX4C	1
323	<b>1251084-04/0</b>	Inner Frame, Door	1
323A	<b>1251083-00/0</b>	A-Frame, Outer Door, NEX4 COND.	1
325	<b>1254263-04/7</b>	Door Catch, NX4	1
555A	<b>1254252-01/6</b>	Decor Plate, Re-Enforcement, Door Hinge, NEX4	2
563	<b>1254248-00/6</b>	Pivot, Door Hinge, NEX4	1

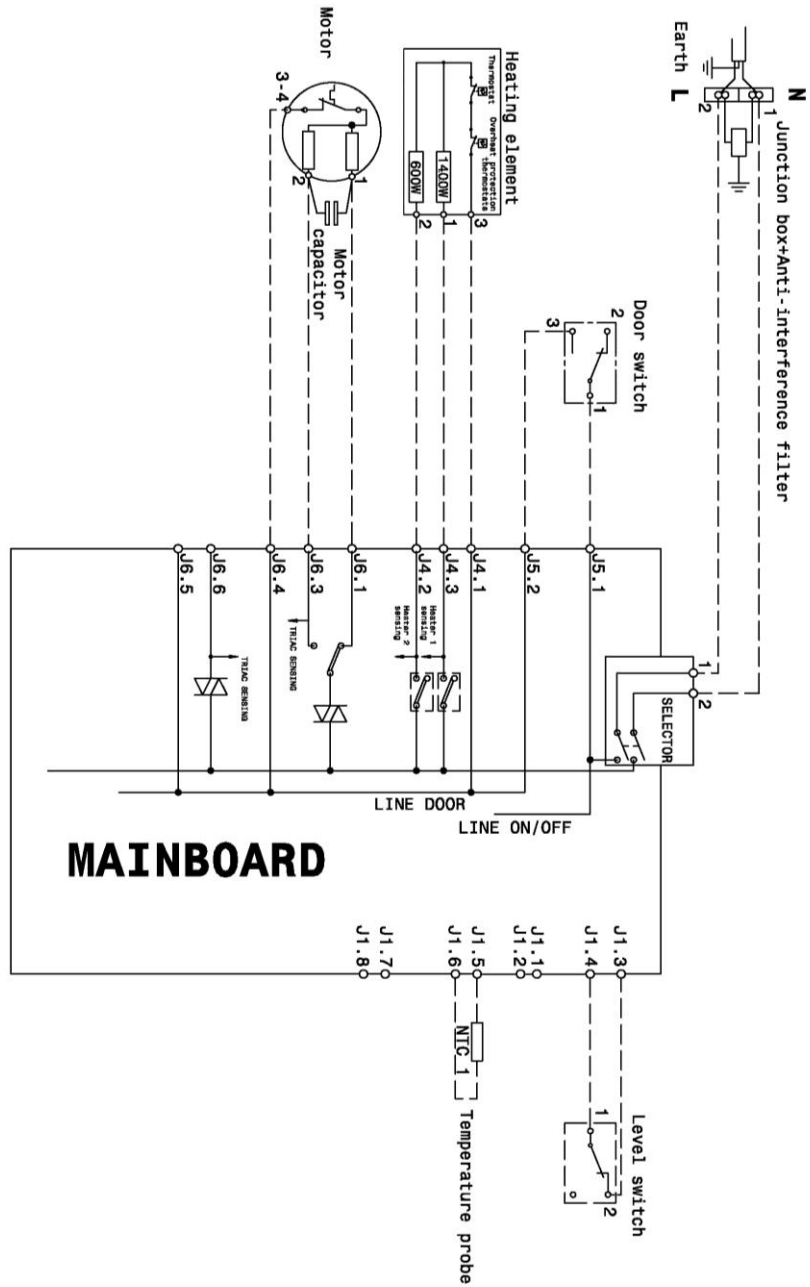


Item	Part N°	Description	Qty
110	<b>1123441-00/6</b>	Discharge Pipe	1
125	<b>56471210908</b>	O-Ring, Ø 9,25 mm	1
125A	<b>56471211-00/5</b>	O-Ring, Ø 17,86 mm	1
130	<b>1251053-00/3</b>	Gasket,Basement,Air Duct,NEX4 COND.	1
130A	<b>1251067-00/3</b>	Gasket, Heat Exchanger,Front,NEX4 COND.	1
130B	<b>1254489-00/6</b>	Sealing, Rear Panel,NX4C	1
137	<b>1257382-00/0</b>	Float	1
140	<b>1251056-00/6</b>	Drop Tray,NEX4 COND.	1
146	<b>1251063-16/8</b>	Assembly, Steam Condenser	1
153	<b>56471210-80/9</b>	Valve, Tank	1
260	<b>56471219-70/1</b>	Spring, Valve, Tank	1
303	<b>N.P.N.</b>	Assembly, Basement, T. B.	
309	<b>1251054-10/0</b>	Cover, Scroll Cover, Front	1
309A	<b>1251055-02/4</b>	Bezel, Scroll Cover, Back	1
309B	<b>1251069-11/6</b>	Bezel, Sump, T.B.	1
346	<b>1258261-11/2</b>	Assembly,Tank,NEX4C T/B	1
500	<b>1251068-00/1</b>	Knob,Lock,NEX4 COND.	1
520	<b>56471211-20/3</b>	Valve Housing	1
520A	<b>56471210-70/0</b>	Flange	1
521	<b>1258790011</b>	Stopper, Tank	1
523	<b>3705243-00/8</b>	Support, Micro Switch, Float	1
557	<b>1251057-04/6</b>	Insulator, Scroll Cover, Back	1



**IMPORTANT SAFETY NOTICE**

This diagram has been prepared for use by electrically qualified service technicians. Electrolux cannot be held responsible for the interpretation of its service publications nor for any injury or damage that may occur in connection with their use.



125 670450c

**IMPORTANT SAFETY NOTICE**

This diagram has been prepared for use by electrically qualified service technicians. Electrolux cannot be held responsible for the interpretation of its service publications nor for any injury or damage that may occur in connection with their use.