

Electrolux

ELECTROLUX HOME PRODUCTS PTY LTD

ABN 51 004 762 341

Technical Publication N° CE1438

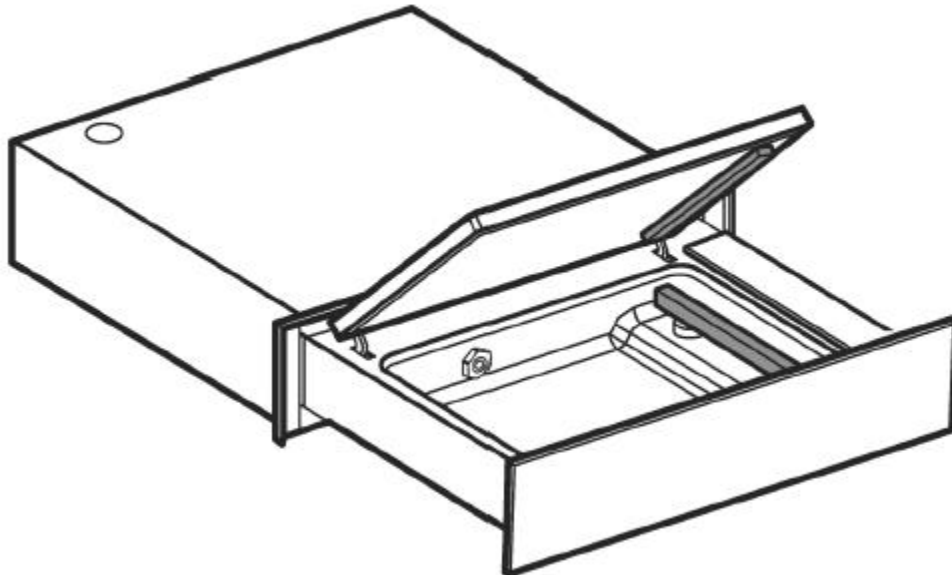
Issue: 1

Date: 12/19

PARTS & VIEWS

AEG

Vacuum Drawer



MODEL

VS91404-M

PNC

947727278 01

MAINTENANCE LEVEL CHANGE SUMMARY

ML	Description	Product Release Date
01	First release	12/19

MODEL NUMBER IDENTIFICATION

FREE-STANDING COOKERS										
W Brand	B Construction	E Oven Fuel Type	S Added Features	# Width	# Hob Type	# Specification Level	W Colour	A Series	R Side Opening Door Type	G Gas Type
W = Westinghouse C = Chef E = Electrolux Z = Zanussi S = Simpson	E = Elevated Cooker F = Front Control Freestanding Cooker L = Rear Control Freestanding Cooker	E = Electric G = Gas	Leave blank for all except the below: S = Side Opening Door P = Pyro	5 = 50 - 54cm 6 = 60 - 60cm 7 = 70 - 70cm 8 = 80 - 80cm 9 = 90 - 90cm 1 = 100cm and above	IF FUEL TYPE = G 0 = No wok 1 = Wok 2 3 4 5 6 7 8 9 = Highest Spec	Even = GIO, Odd = Sep Grill 0 = Lowest Spec 1 2 3 4 5 6 7 8 9 = Highest Spec	W = White S = Stainless Steel B = Black	A = SAFR B = 1st series change C = 2nd series change etc	L = Left Hand Opening R = Right Hand Opening	LP = Liquefied Petroleum NG = Natural Gas
BUILT-IN OVENS										
W Brand	B Construction	E Oven Fuel Type	S Added Features	# Width	# Cavity Type	# Specification Level	W Colour	A Series	G Gas Type	R Side Opening Door Type
W = Westinghouse C = Chef E = Electrolux Z = Zanussi S = Simpson	V = Built-in oven	E = Electric G = Gas	Leave blank for all except the below: S = Side Opening Door M = Microwave P = Pyro	3 = 30cm - 30cm 4 = 40cm - 40cm 5 = 50cm - 50cm 6 = 60cm - 60cm 7 = 70cm - 70cm 8 = 80cm - 80cm 9 = 90cm - 90cm 1 = 100cm - 110cm 2 = 120 cm +	1 = Single 2 = Duo 3 = Double 4 = Combo Oven 5 = Sep grill and bench 6 = Sep grill wall oven 7 = Compact 8 9 = Highest Spec	0 = Lowest Spec 1 2 3 4 5 6 7 8 9 = Highest Spec	W = White S = Stainless Steel B = Black	A = SAFR B = 1st series change C = 2nd series change etc	LP = Liquefied Petroleum NG = Natural Gas	L = Left Hand Opening R = Right Hand Opening
BUILT-IN HOBES										
W Brand	B Construction	# Hob Type	# Width	# No. Burners/Zones	# Specification Level	W Colour	A Series			
W = Westinghouse C = Chef E = Electrolux Z = Zanussi S = Simpson	H = Hob	IF ELECTRIC HOB: S = Solid C = Ceramic I = Induction R = Radiant Coil M = Mix IF GAS HOB: G = Gas D = Dual Fuel	3 = 30cm or below 4 = 40cm - 40cm 5 = 50cm - 50cm 6 = 60cm - 60cm 7 = 70cm - 70cm 8 = 80cm - 80cm 9 = 90cm - 90cm 1 = 100cm - 110cm 2 = 120 cm and above	1 2 3 4 5 6 7 8 9	0 = Lowest Spec 1 2 3 4 5 6 7 8 9 = Highest Spec	W = White S = Stainless Steel B = Black	A = SAFR B = 1st series change C = 2nd series change etc			

CONTENTS

MAINTENANCE LEVEL CHANGE SUMMARY	2
MODEL NUMBER IDENTIFICATION	2

EXPLODED VIEWS & PARTS LISTS

MODEL: VS91404-M	4
DRAWER & UI ASSEMBLY (Vacuum Sealer Drawer)	4
MODEL: VS91404-M	6
PUMP ASSEMBLY, PANEL & RUNNERS.....	6
MODEL: VS91404-M	8
CIRCUIT DIAGRAM	8

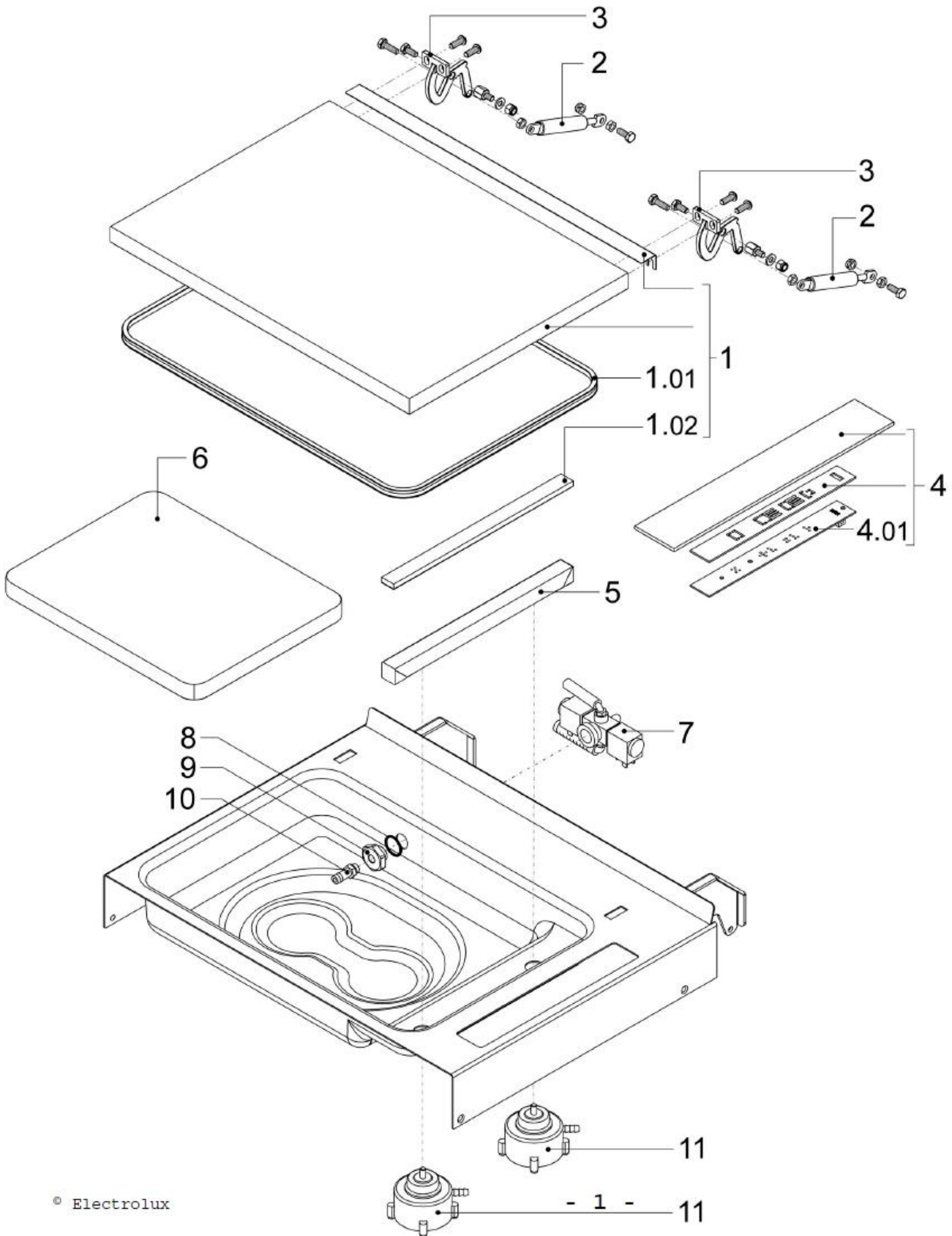
NOTE: In Parts Listings

N.I.	=	Not Illustrated
N.P.A.	=	No Part Available
N.P.N.	=	Not Used on this Model

MODEL: VS91404-M

DRAWER & UI ASSEMBLY (Vacuum Sealer Drawer)

Ex: P00003114072



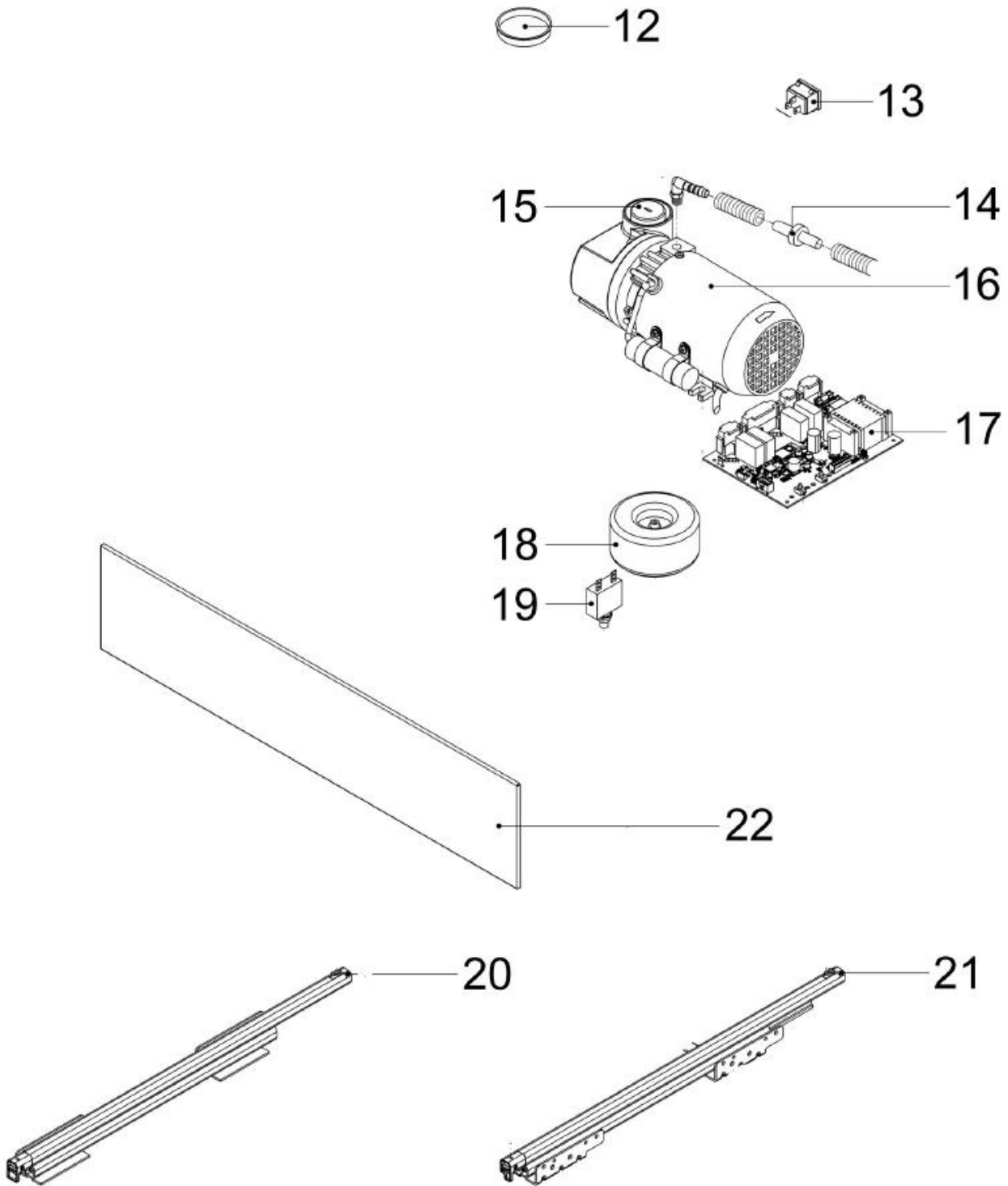
© Electrolux

ITEM	PART N°	DESCRIPTION Ex: P00003114072	QTY
1	4055419511	SET, COVER	1
1.01	4055419529	GASKET, SILICONE	1
1.02	4055374138	CUSHION, SEAL	1
2	4055374146	SPRING, GAS,75N 40mm	2
3	4055374153	LEVER	2
4	4055374369	SET, GLASS, USER INTERFACE BOARD	1
4.01	4055374179	USER INTERFACE BOARD	1
5	4055374187	BAR, SEALING	1
6	4055374195	PLATE, FILTER	1
7	4055374203	VALVE, SET	1
8	4055374211	O-RING	1
9	4055374229	NOZZLE, SUCTION	1
10	4055374237	FITTINGS, VACUUM	1
11	4055374245	MEMBRANE	2
N.I.	4055422028	CONNECTION, PIPE, BLUE, 1/8" D8 POLYAMIDE	1

MODEL: VS91404-M

PUMP ASSEMBLY, PANEL & RUNNERS

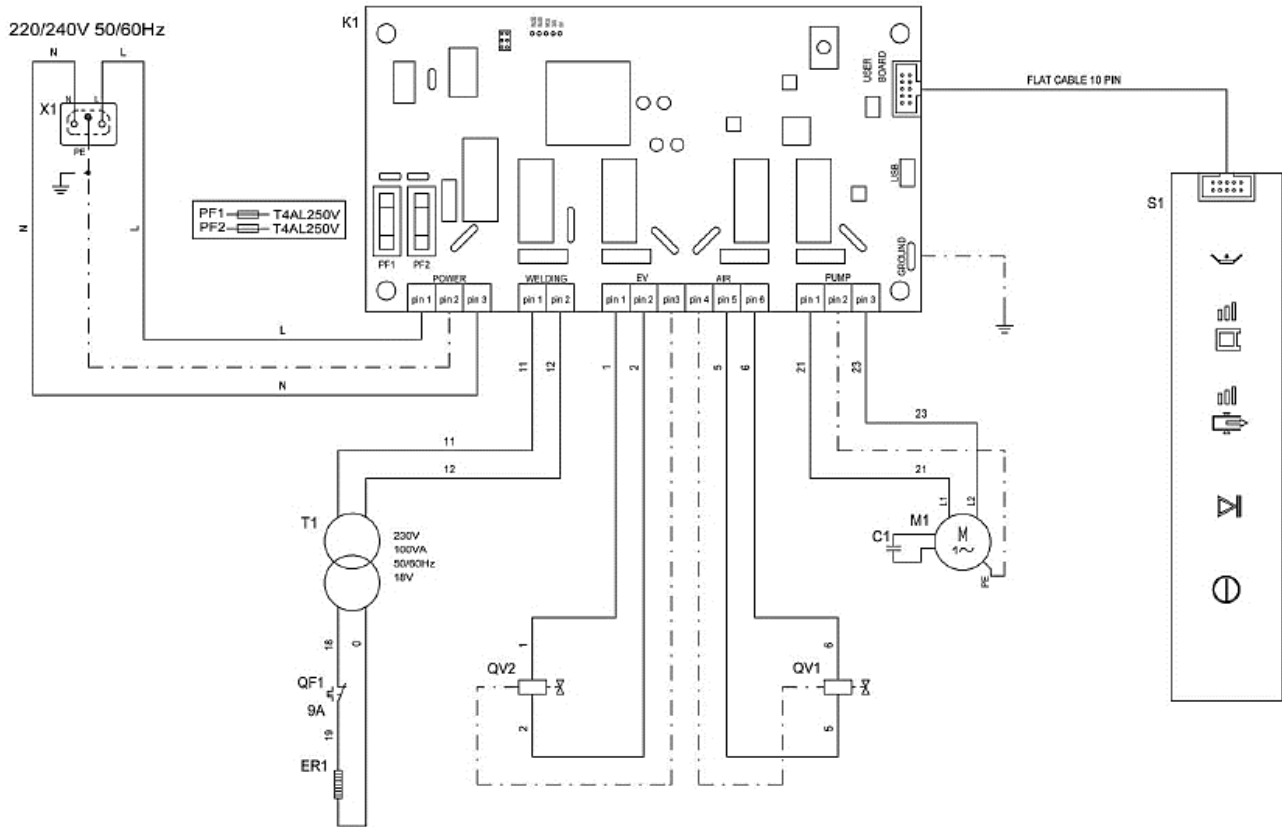
Ex: P00003114073



ITEM	PART N°	DESCRIPTION Ex: P00003114073	QTY
12	4055374252	CAP, PLASTIC	1
13	4055374260	PLUG	1
14	4055374278	VALVE, EXHAUST PIPE	1
15	4055374286	AIR FILTER, 566	1
16	4055374294	PUMP, 50/60Hz 3mc 220-240V	1
17	4055374302	MAIN ELECTRONIC BOARD	1
18	4055374310	TRANSFORMER, 100VA 230/18V 50Hz	1
19	4055374328	THERMAL FUSE, 10A 250V/125V 50/60	1
20	4055374336	RUNNER, LEFT	1
21	4055374344	RUNNER, RIGHT	1
22	4055392908	FRONT PANEL, WITH MOUNTING KIT	1

MODEL: VS91404-M

CIRCUIT DIAGRAM



WARNING

IT IS ILLEGAL FOR PERSONS OTHER THAN LICENSED ELECTRICAL MECHANICS OR PERSONS AUTHORISED BY LEGISLATION TO WORK ON THE FIXED WIRING OF ANY ELECTRICAL INSTALLATION. PENALTIES FOR CONVICTION ARE SEVERE.

IMPORTANT SAFETY NOTICE

This diagram has been prepared for use by electrically qualified service technicians. Electrolux cannot be held responsible for the interpretation of its service publications nor for any injury or damage that may occur in connection with their use.

Publication Version Control Chart		
Issue Number	Reason	Date
1	Original Document	19-12-2019