



Electrolux

ELECTROLUX HOME PRODUCTS PTY LTD

ABN 51 004 762 341

Technical Publication N° CE1267

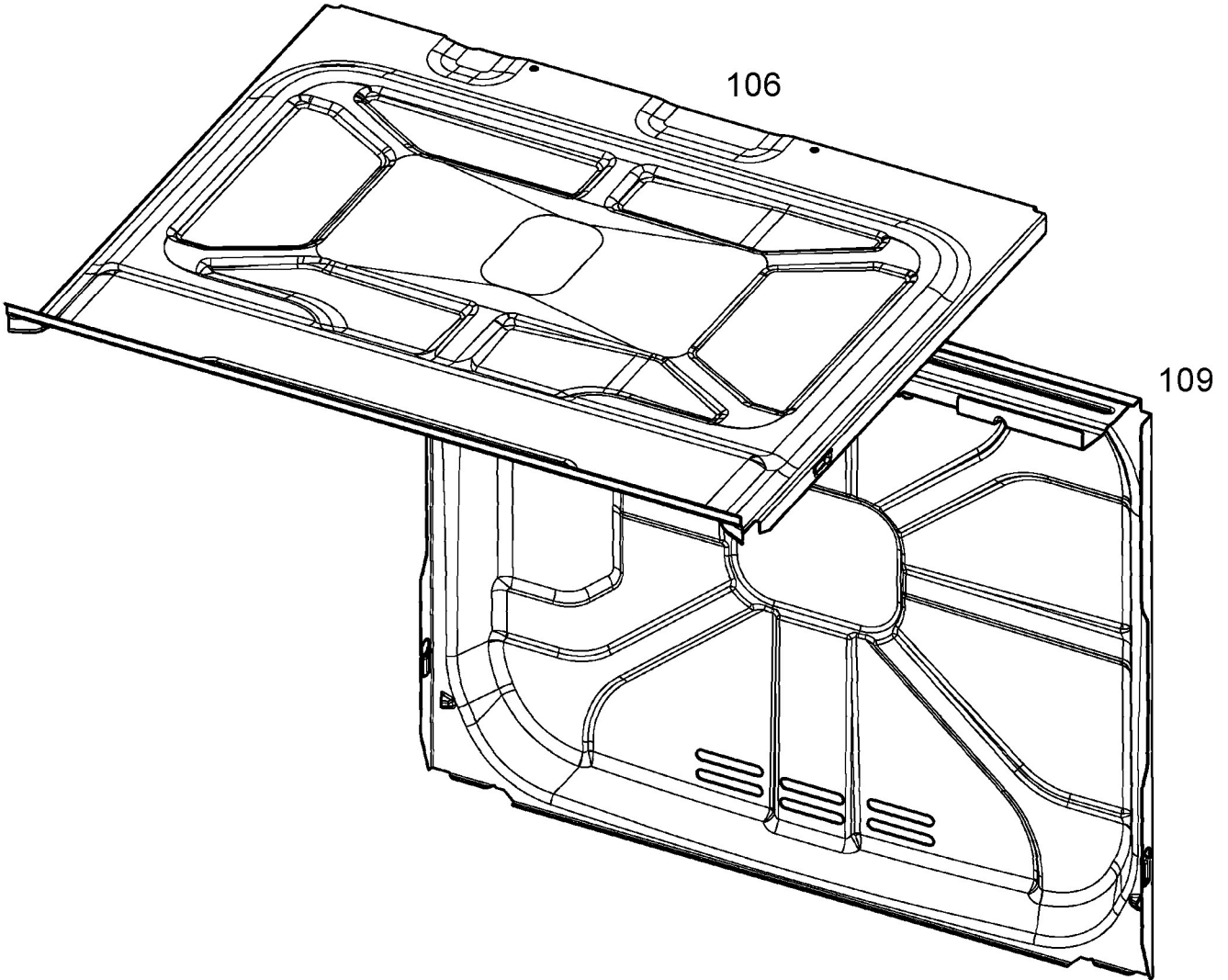
Issue: 1
Date: 8/18

AEG

Multi Function Oven



MODEL: BEB231011M
PNC: 949496152

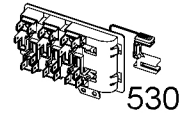
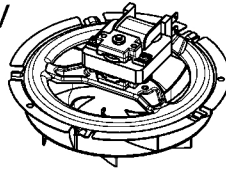


Exploded view no.: P00003135885
P00003144542

Matrix	PNC	ELC	ProdDate	Model
A	949496152	00	20180601	BEB231011M

Pos	Part No.	Matrix	Description
106	140064666013	A	Top cover
109	140064665023	A	Back panel,oven

510V



530

502U



504U



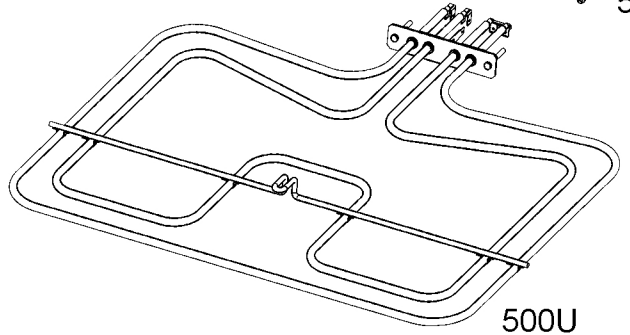
506U



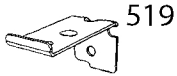
518V



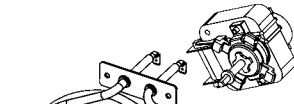
522



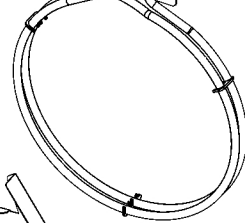
500U



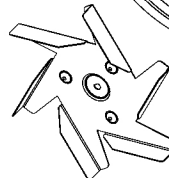
519



510C



500C



512

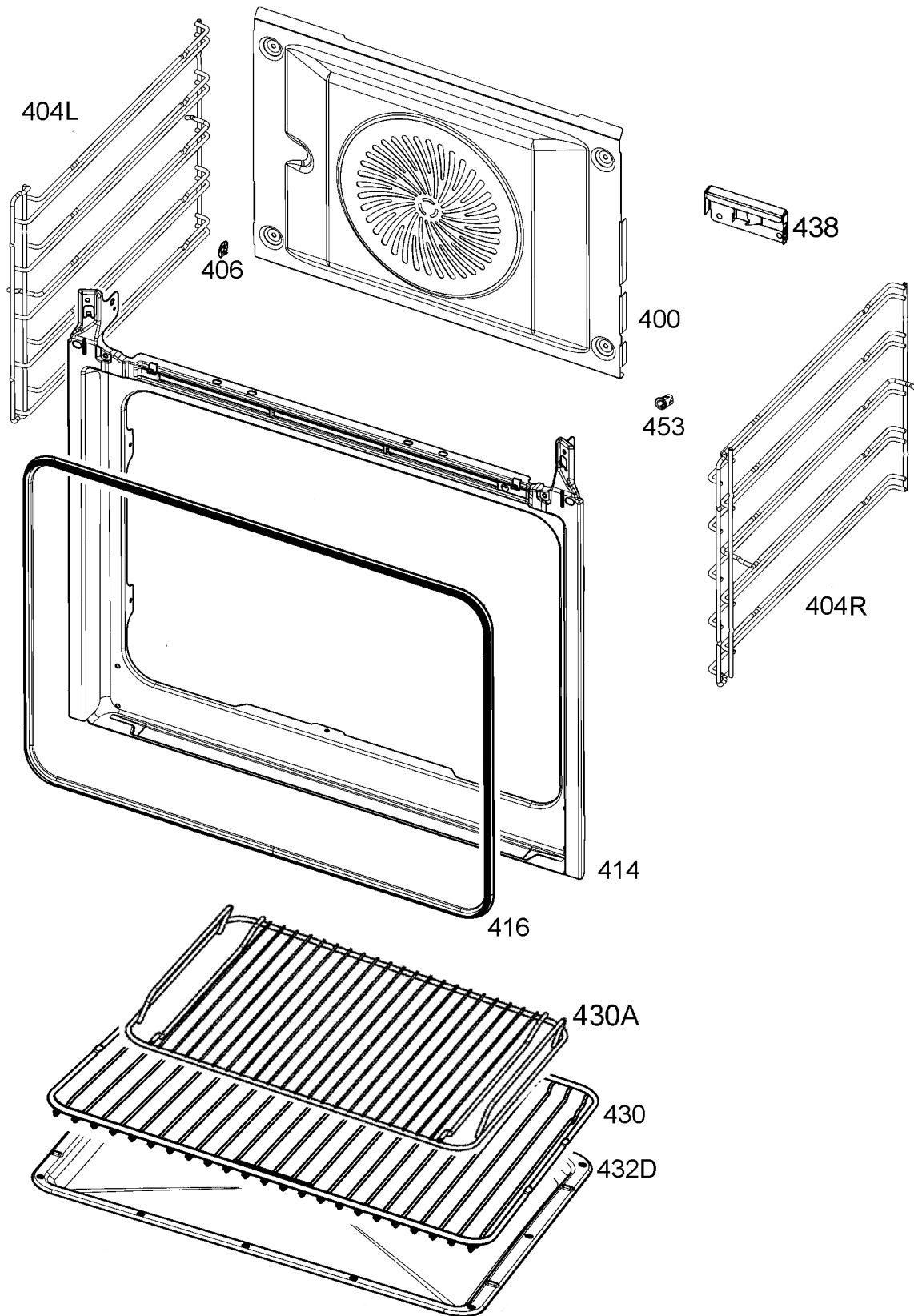


513

Exploded view no.: P00003144543
P00003144543

Matrix	PNC	ELC	ProdDate	Model
A	949496152	00	20180601	BEB231011M

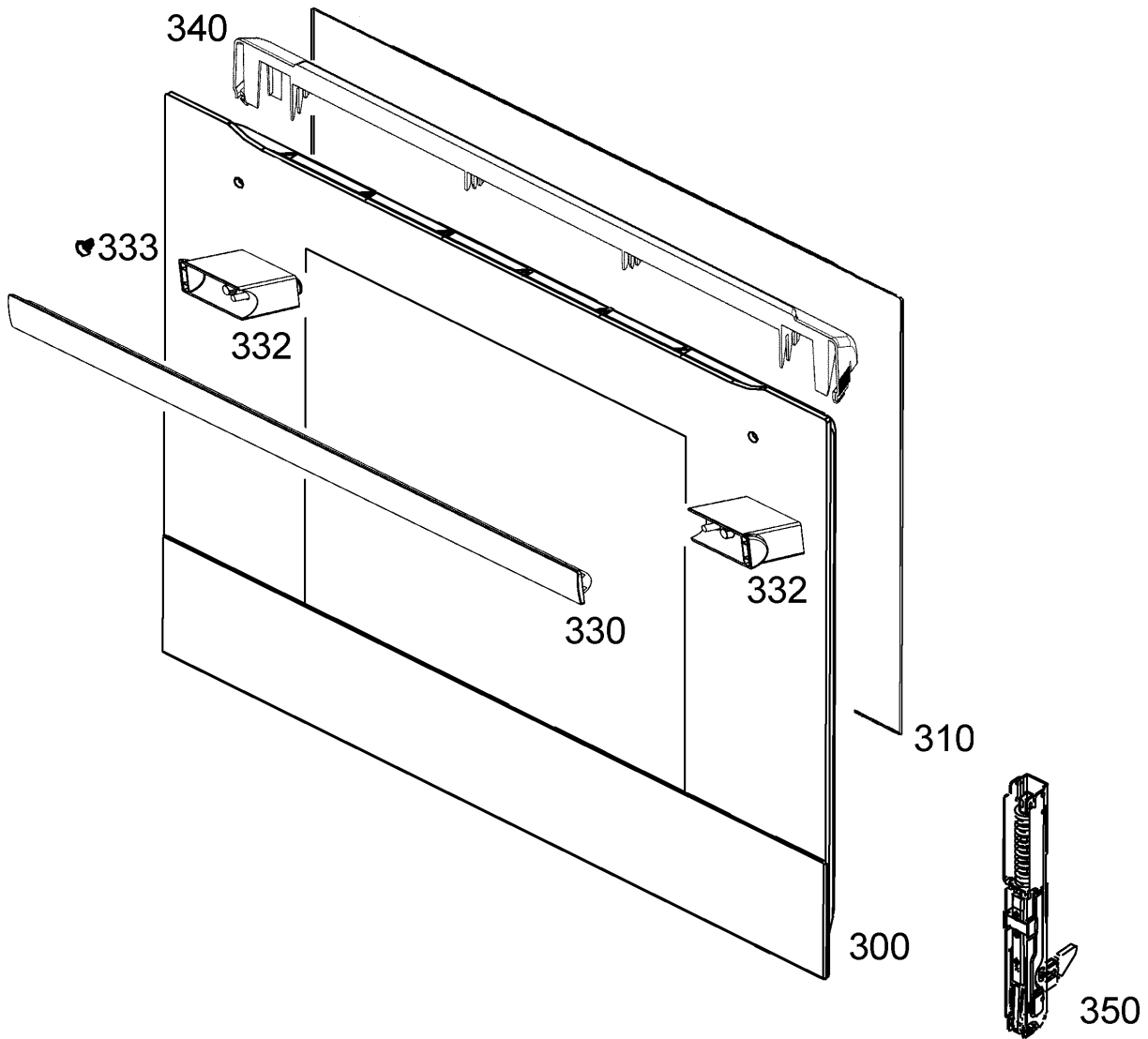
Pos	Part No.	Matrix	Description
500C	3878684103	A	Heating element,round,240V, 2400W
500U	140074106018	A	Heating element,upper,combi,230V,1000/1700W
502U	8087690031	A	Oven lamp,complete,top,G9,230V,40W
504U	8085641028	A	Bulb,oven lamp,G9,230V,40W
506U	8087690015	A	Glass cover,oven lamp,top
510C	3890813045	A	Convection micro-motor
510V	140115083010	A	Cooling fan,assembly,230V, 20W
512	3530457013	A	Fan wheel,convection fan
513	3543210011	A	Cap nut,M6
518V	140055397016	A	Thermostat,black,N.C. 195 T250C
519	8072932034	A	Bracket,thermostat
522	3879638009	A	Cable holder,round,D22mm
530	5618043011	A	Connection box,complete



Exploded view no.: P00003144003
P00003144544

Matrix	PNC	ELC	ProdDate	Model
A	949496152	00	20180601	BEB231011M

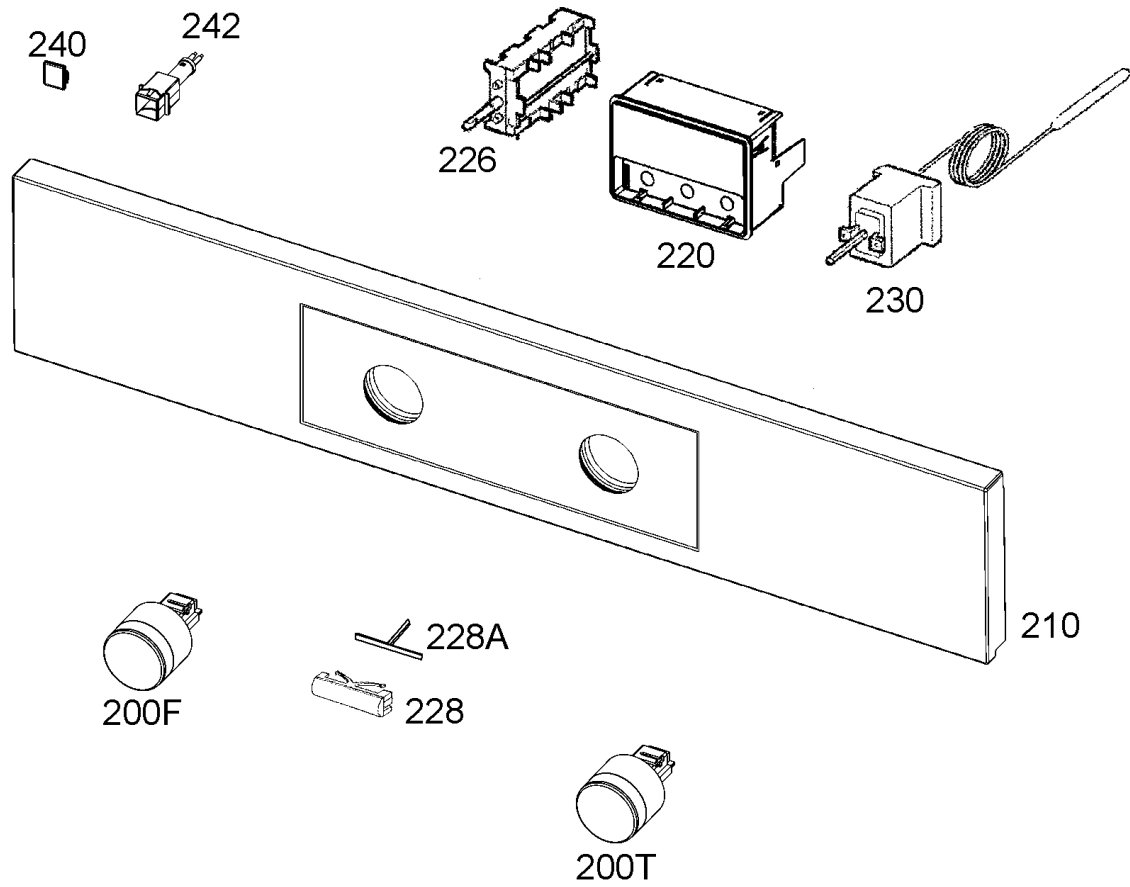
Pos	Part No.	Matrix	Description
400	140111991034	A	Cover, convection fan
404L	3546433024	A	Grid, left
404R	3546433016	A	Grid, right
406	5614852019	A	Clip, fixing, grating
414	140052435025	A	Front frame
416	3577343019	A	Sealing, front frame
430	140064006012	A	Grill grid, 466x385mm
430A	3879097016	A	Grill, Insert, 415x330x39, 5mm
432D	3532458043	A	Drip pan, grey, 466x385x40mm
438	3878456049	A	Holder, Capillary
453	4055218657	A	Mounting kit, built-in, oven, SB 599756786
999	3543300010	A	Screw, wood, 4x25 PZ1.8



Exploded view no.: P00003144545
P00003144545

Matrix	PNC	ELC	ProdDate	Model
A	949496152	00	20180601	BEB231011M

Pos	Part No.	Matrix	Description
300	140043376858	A	Front glass,inox,594x466mm
310	140074681010	A	Door glass,silkscreened,522x393mm
330	3879711020	A	Handle,inox
332	3554104012	A	Adaptor,door handle,black
333	3558033019	A	Bush,Handle,5.2mm
340	140036101024	A	Door cover
350	140018128086	A	Hinge,oven door,5.7 - 6.0 kg
999	4055369310	A	Kit,screws,Handle,2 pcs.



Exploded view no.: P00003145466
P00003144546

Matrix	PNC	ELC	ProdDate	Model
A	949496152	00	20180601	BEB231011M

Pos	Part No.	Matrix	Description
200F	3550454296	A	Knob,function,7+0
200T	3550454197	A	Knob,thermostat,black,0-275
210	140072624020	A	Control panel,inox,AEG,60cm, SET, 2K
220	3872108828	A	User interface board,SET
226	140126167018	A	Switch,oven,7+0
228	5613960201	A	Push button
228A	8077274101	A	Pin,timer
230	5611490011	A	Thermostat,oven
240	3558059048	A	Lamp cover,signal lamp,grey
242	140135569014	A	Signal lamp,neon,L=250mm