



Electrolux

ELECTROLUX HOME PRODUCTS PTY LTD

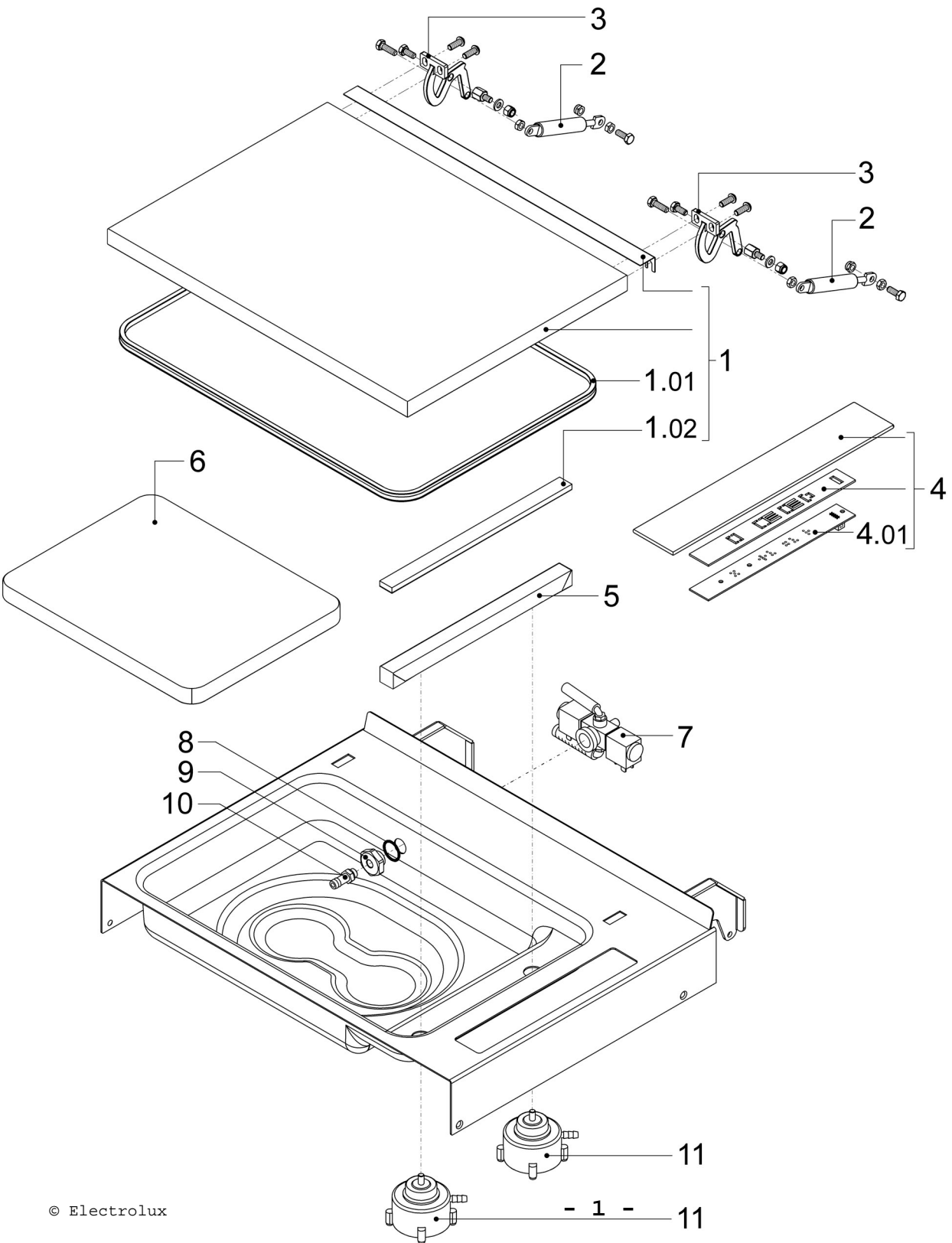
ABN 51 004 762 341

Technical Publication N° CE1137

Issue: 2
Date: 05/18

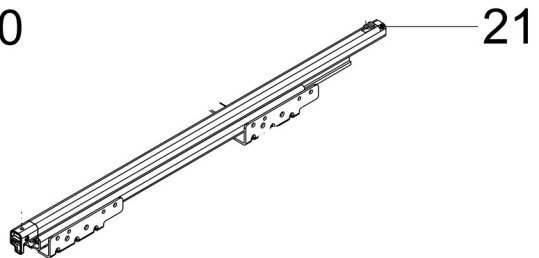
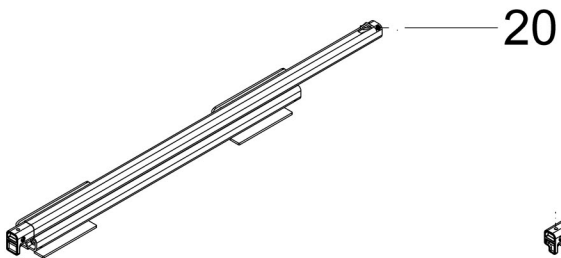
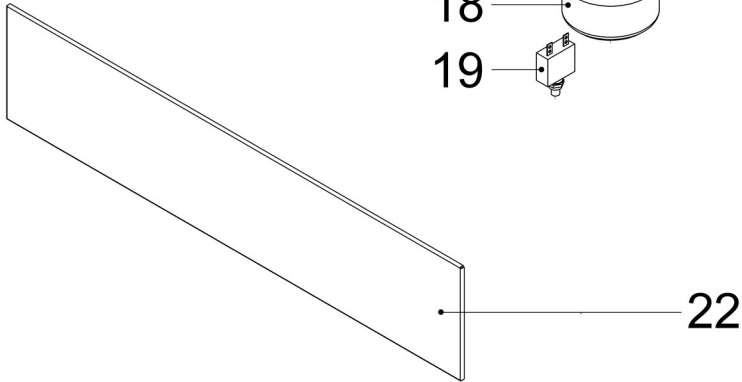
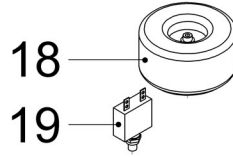
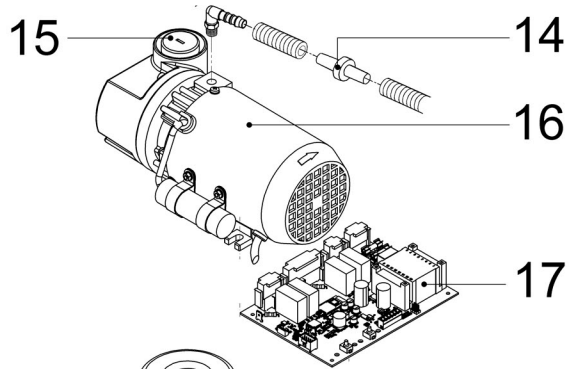
AEG ***Vacuum Drawer***

MODEL: KDK911423M
PNC 947727282



Matrix	PNC	ELC	ProdDate	Model
A	947727277	00	20160901	EVD149000X
B	947727278	00	20160901	VS91404-M
C	947727279	00	20160901	EVDP1490AX
D	947727280	00	20160901	VACS140SP
E	947727281	00	20160901	VACS140CN
F	947727282	00	20160901	KDK911423M
G	947727285	00	20160901	EVD149000Z

Pos	Part No.	Matrix	Description
1	4055374112	A B C D E F G	Kit, Cover
2	4055374146	A B C D E F G	Spring, gas, 75N 40mm run
3	4055374153	A B C D E F G	Lever
4	4055374161	A - - D E - G	Set, glass, user interface board
4	4055374369	- B - - - -	Set, glass, user interface board
4	4055374385	- - C - - F -	Set, glass, user interface board
5	4055374187	A B C D E F G	Bar, sealing
6	4055374195	A B C D E F G	Plate, filter
7	4055374203	A B C D E F G	Valve, set
8	4055374211	A B C D E F G	O-ring
9	4055374229	A B C D E F G	Nozzle, suction
10	4055374237	A B C D E F G	Fittings, vacuum
11	4055374245	A B C D E F G	Membrane
1.01	4055374120	A B C D E F G	Gasket, silicone
1.02	4055374138	A B C D E F G	Cushion, seal
4.01	4055374179	A B C D E F G	User interface board



Matrix	PNC	ELC	ProdDate	Model
A	947727277	00	20160901	EVD149000X
B	947727278	00	20160901	VS91404-M
C	947727279	00	20160901	EVDP1490AX
D	947727280	00	20160901	VACS140SP
E	947727281	00	20160901	VACS140CN
F	947727282	00	20160901	KDK911423M
G	947727285	00	20160901	EVD149000Z

Pos	Part No.	Matrix	Description
12	4055374252	A B C D E F G	Cap,plastic
13	4055374260	A B C D E F G	Plug
14	4055374278	A B C D E F G	Valve,exhaust pipe
15	4055374286	A B C D E F G	Filter
16	4055374294	A B C D E F G	Pump,50/60Hz 3mc 220-240V
17	4055374302	A B C D E F G	Main electronic board
18	4055374310	A B C D E F G	Transformer,100VA 230/18V 50Hz
19	4055374328	A B C D E F G	Thermal fuse,10A 250V/125V 50/60
20	4055374336	A B C D E F G	Runner,left
21	4055374344	A B C D E F G	Runner,right
22	4055374351	A - - - - -	Front panel
22	4055374377	- B - - - - -	Front panel
N.i.	4055265880	B	Oil Vacuum