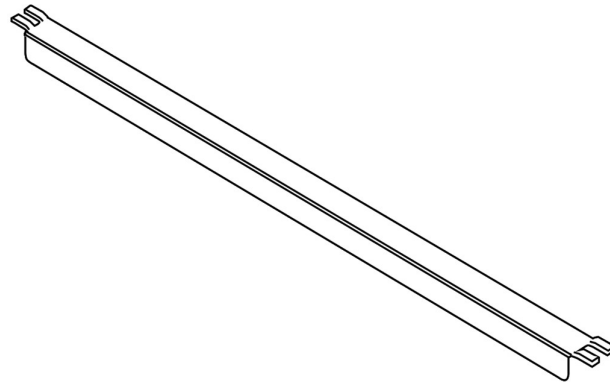




30cm 'Domino' hob separation and support bracket

DESCRIPTION:

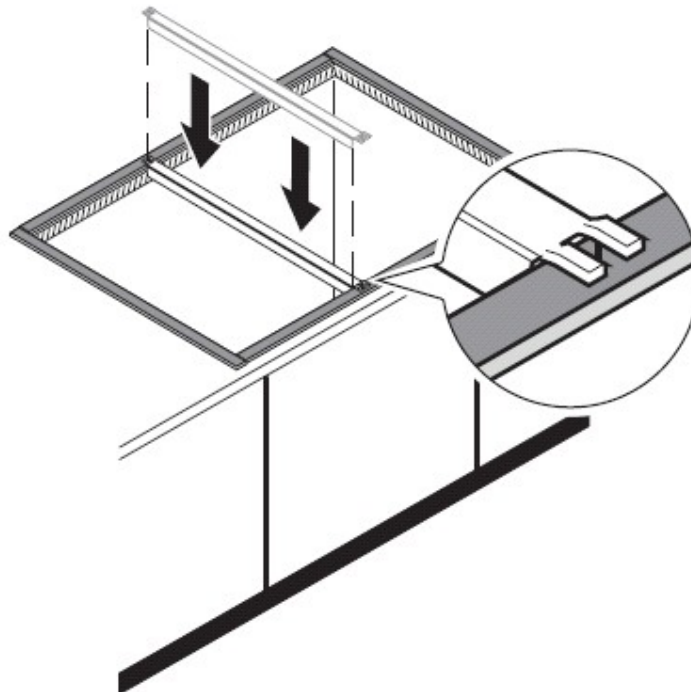
Series of 30cm 'Domino' hobs allow to install a few hobs side by side into a single cut-out in the worktop by usage of support metal bracket.



Support metal bracket

SOLUTION:

In order to mount a few 'Domino' hobs side by side, it is required to order installation kit and follow installation instruction supplied within the kit package.



Mounting way of support metal bracket

SPARE PART NUMBER:

Type of part	Spare part code	Description
Installation kit	50296130003	Kit containing: 4 x support metal bracket 1 x installation instruction

MODELS INVOLVED:

The above solution applies to PNCs 949738xxx.

REVISION:

Revision	Date	Description	Author	Approved by - on
00	09/2020	Document Creation	Ewelina Średniawa	Massimo Collini 2020-09-04