

### Faulty temperature sensor

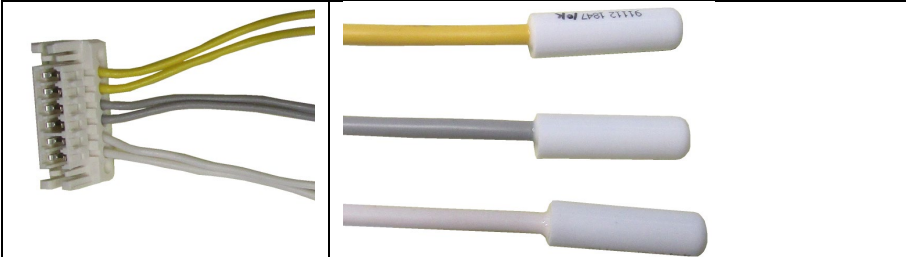
Electronic appliances can be provided with two different types of temperature sensors:

1. replaceable
2. not replaceable The cables of the temperature sensors that are not replaceable are foamed on the inside of the appliance.

Some position of the temperature sensors are available in the spare part list, others are available in this document. Use **short** PNCs when searching the document. Ohm values are included in this document.

Service instructions are available in the spare part kit:

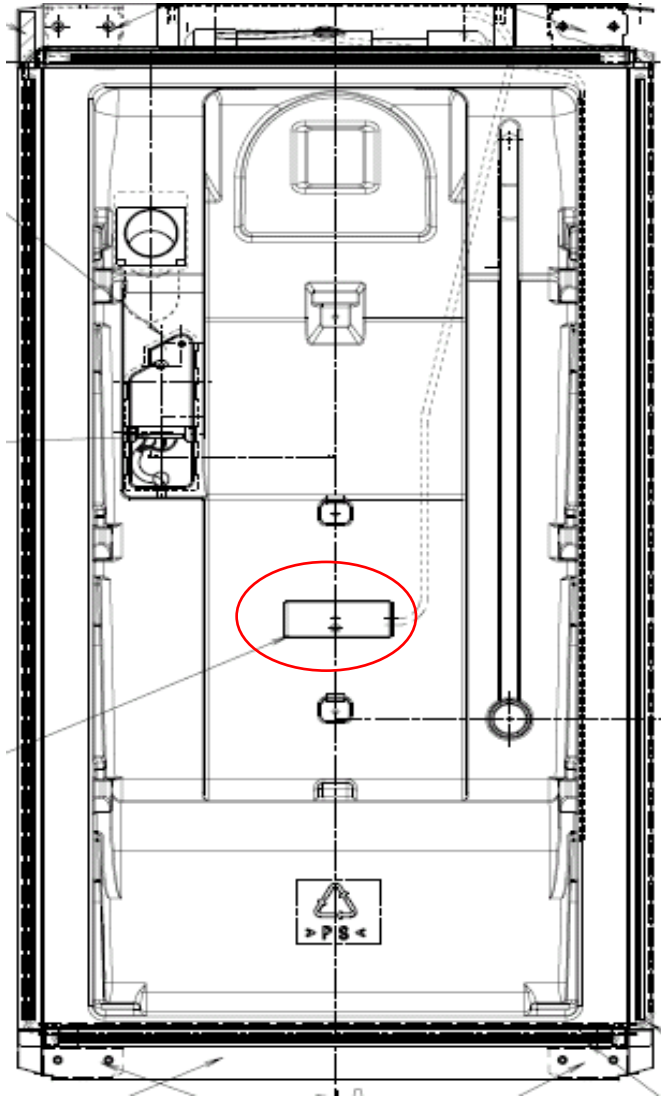
<b>405500336</b>		
<b>Kit includes:</b>		
SPARE PART NO.	DESCRIPTION	QUANTITY
140142974553	Probe,15mm	1
2230073013	Cap,screw cover,9.4mm, 7801	1
2425156029	Housing lid,temperature sensor	1
50287145002	Sheath,heatshrinking,L=15mm	2
50287147008	Sheath,heatshrinking,L=50mm	1
5190900133	Screw	1
5993741361	Service instructions	1

	Yellow Fridge Evaporator
	Grey Freezer Air
	White Fridge Air

## Air Sensor table temperature - ohmic

°C	Ohm	°C	Ohm
25	10000	-15	72764
10	19897	-16	76975
9	20877	-17	81460
8	21912	-18	86239
7	23006	-19	91331
6	24161	-20	96761
5	25381	-21	102552
4	26671	-22	108732
3	28036	-23	115329
2	29479	-24	122373
1	31007	-25	129900
0	32624	-26	137944
-1	34336	-27	146545
-2	36149	-28	155745
-3	38071	-29	165591
-4	40108	-30	176132
-5	42267	-31	187422
-6	44558	-32	199520
-7	46989	-33	212489
-8	49569	-34	226398
-9	52308	-35	241322
-10	55218	-36	257343
-11	58310	-37	274548
-12	61596	-38	293033
-13	65091	-39	312904
-14	68808	-40	334274

# Basemodel 115 Freezer FF BI DoD



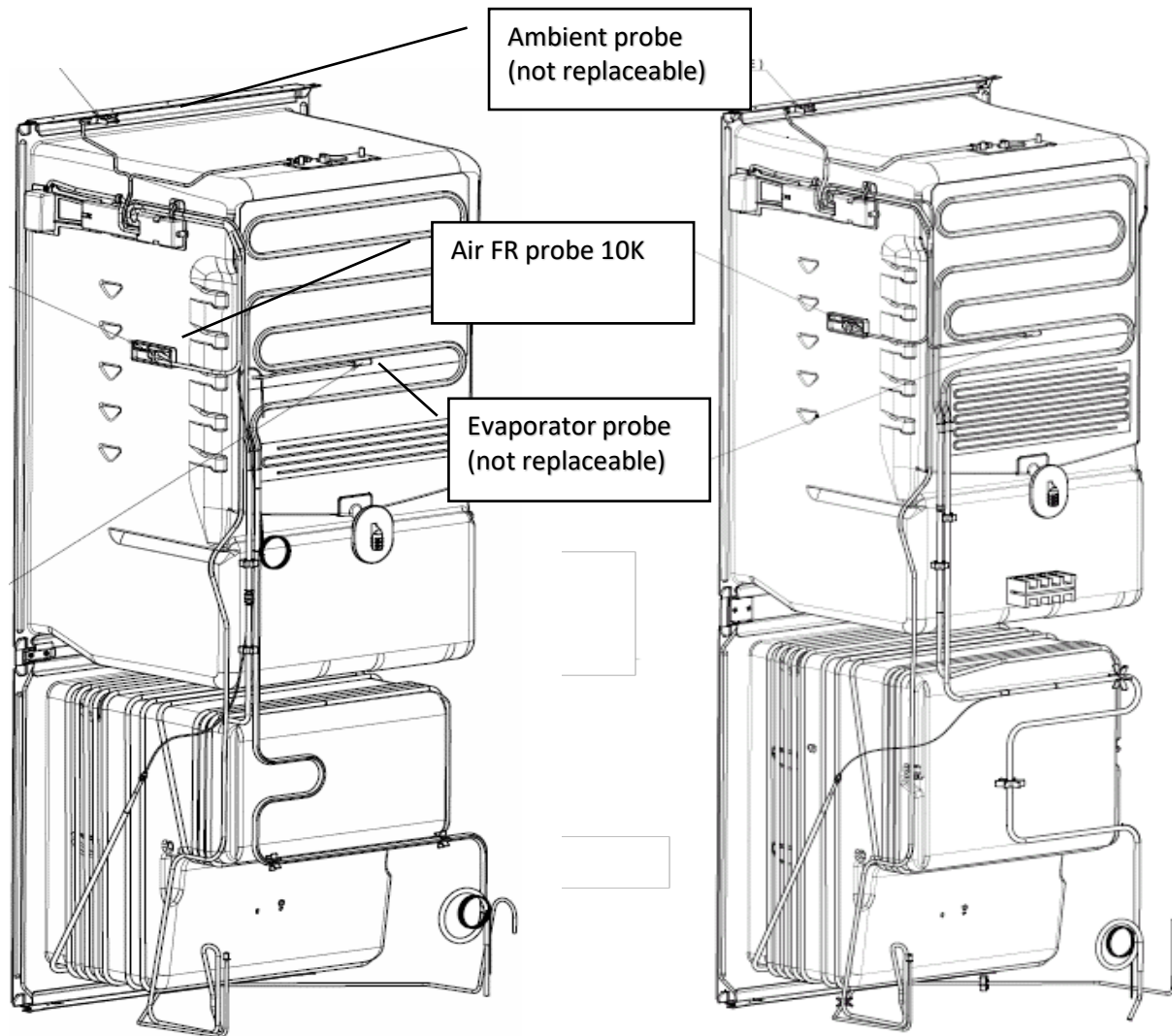
## PNCs:

922761012						

**Basemodel 1446CBD**

and

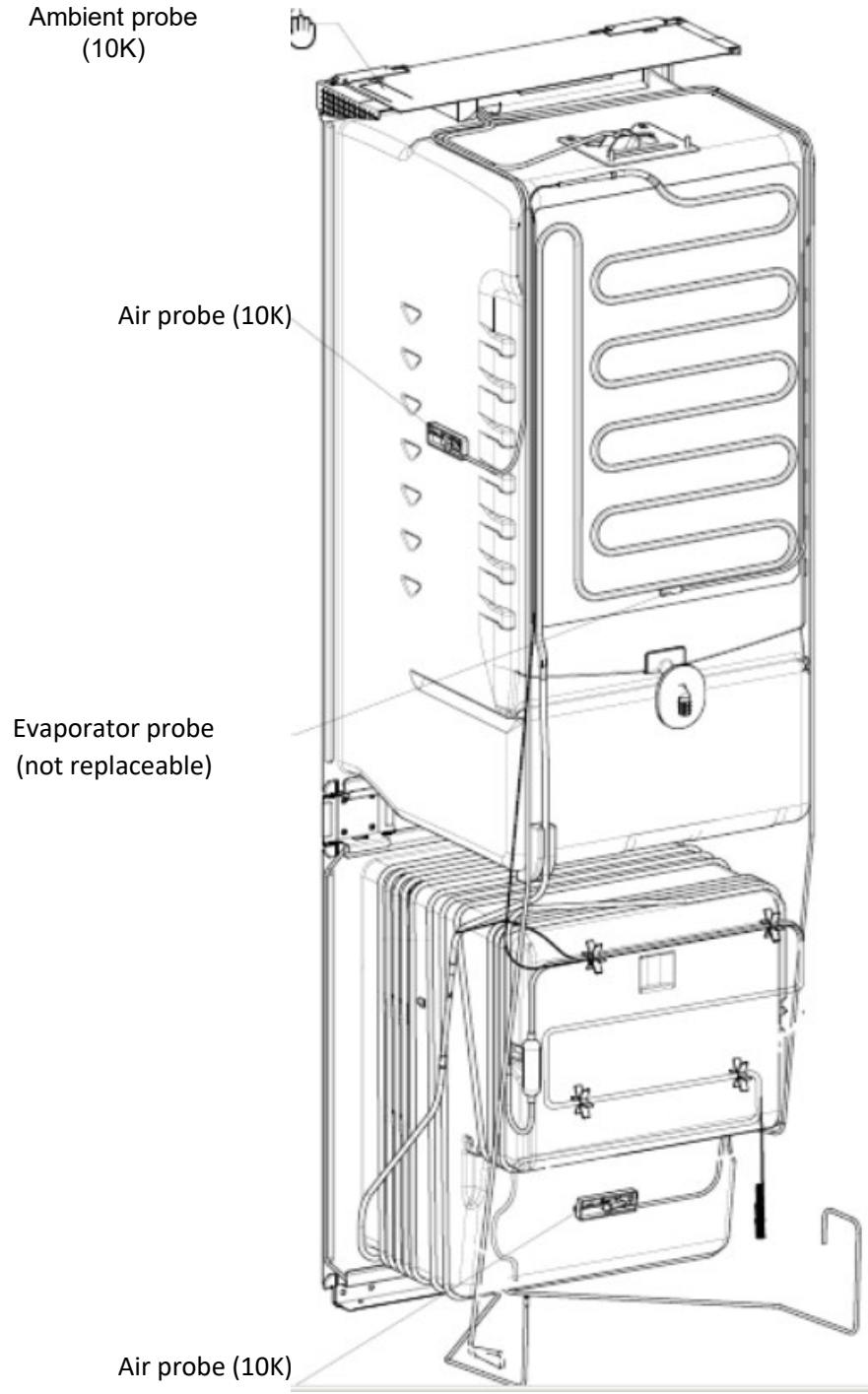
**1580CBD**



**PNCs:**

<b>1446CBD</b>						
933033532	933033533	933033534	933033535	933033536	933033538	933033539
933033541	933033542	933033543	933033544	933033545	933033547	
<b>1580CBD</b>						
925513023	925513024	925513025	925513026	925513027	925513028	925513029
925513030	925513032	925513033	925513034	925513035		

**Basemodel 1780CBVDOD**

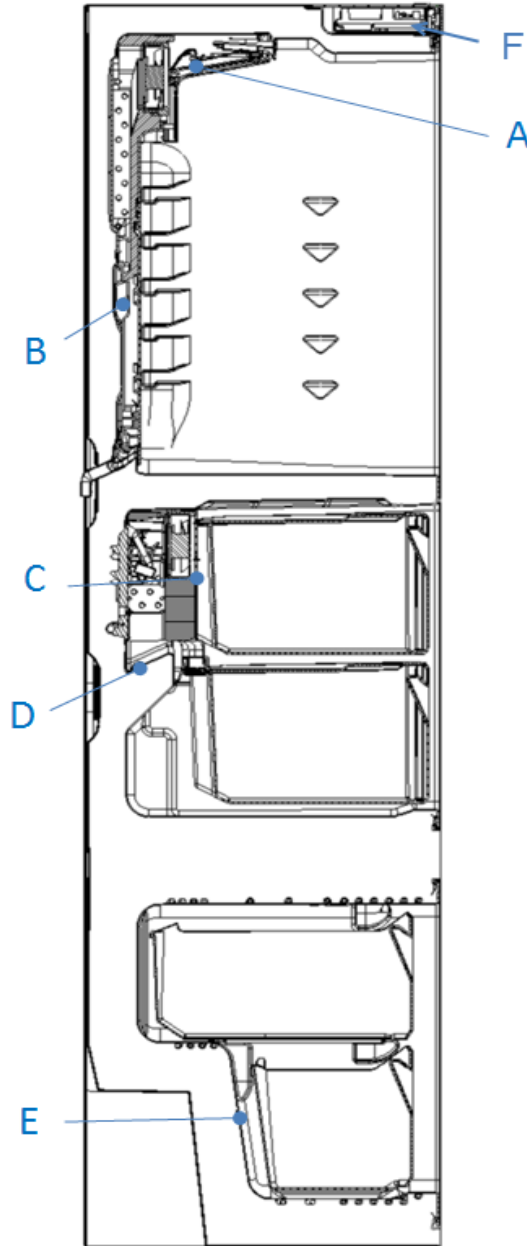


**PNCs:**

925511036	925511037	925511038	925511040	925511041	925511042	

**Basemodel 1780CBZDoD**

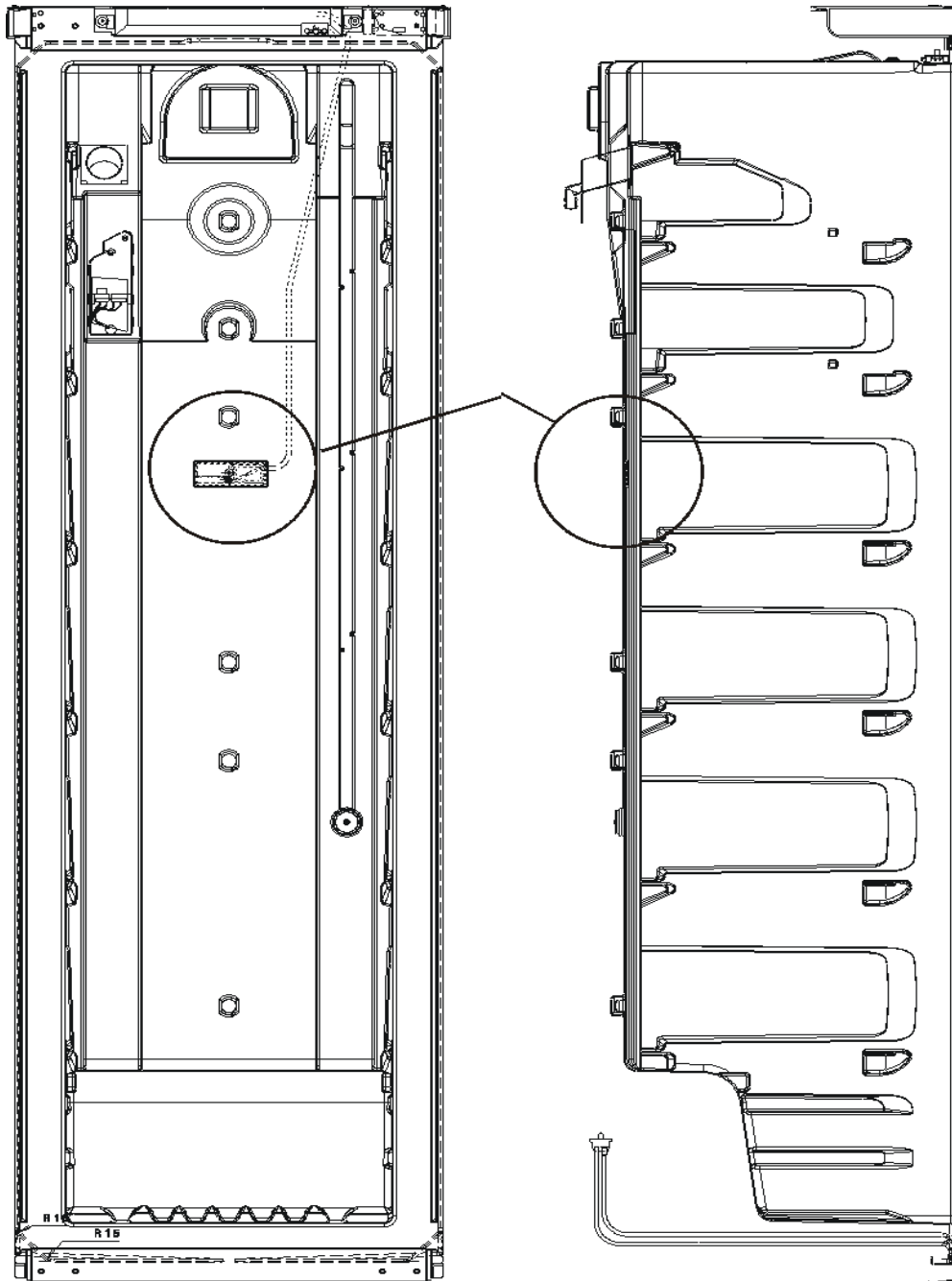
- A: Refrigerator air sensor on the fan carter/cover
- B: Refrigerator evaporator on the water draining area (not replaceable)
- C: Zero-degree air sensor on the EPS fan support
- D: Zero-degree evaporator on the water draining area (not replaceable)
- E: Freezer sensor on the rear side bottom drawer
- F: Ambient sensor on the display board



**PNCs:**

925514022	925514024	925514025	925514027			

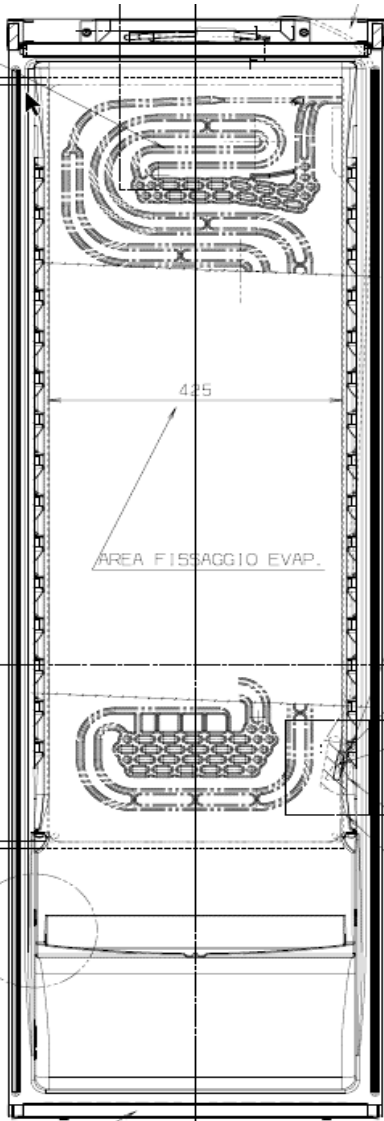
**Basemodel 1780FZFFSD and 1780FZFFDoD**



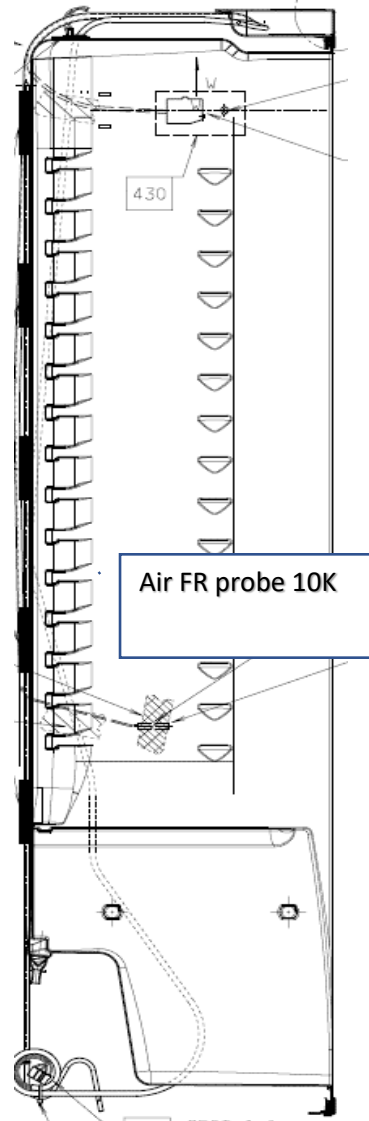
**PNCs:**

922782034	922782035	922782036	922782037	922782038	922782039	922782040
922782041	922782042	922782045	922784044	922784045	922784046	922784047
922784048	922784049	922784051	922784052	922784053	922784054	922784055
922784058						

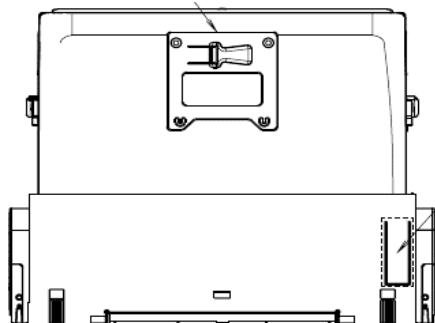
**Basemodel 1780RFD0D and 1780RFSD**



Evaporator probe  
(not replaceable)



Air FR probe 10K



AMBIENT PROBE  
(KIT B 10K)

Fan high version (not DAC -FAN5)

**PNCs:**

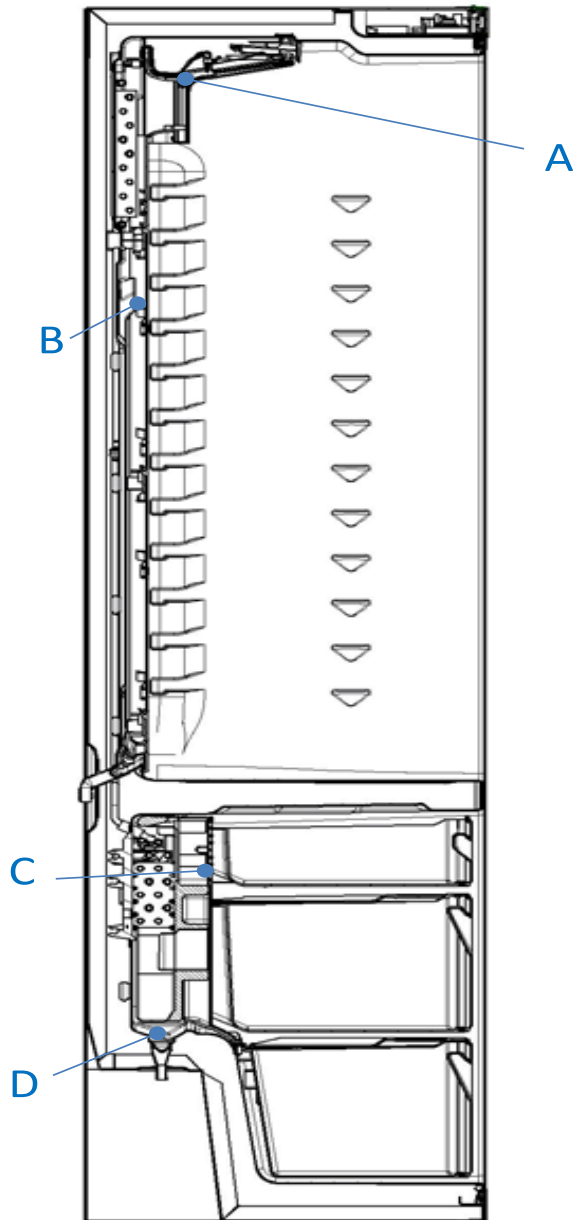
With ambient sensor

923581062	923581063	923581064	923581065	923581066	923581072	923581073
923584051	923584052	923584053	923584054	923584055	923584056	923584057
923584058	923584059	923584060	923584061			
Without ambient sensor						
923581058	923581059	923581061	923581067	923581068	923581069	923581070
923581071	923581074	923581075	923581076	923581077	923581078	923581079
923581080	923584062					



**Basemodel 1780RFZDoD**

- A: Refrigerator air sensor 10K
- B: Refrigerator evaporator (not replaceable)
- C: Zero-degree air sensor 10K
- D: Zero-degree evaporator (not replaceable)



**PNCs:**

923586024	923586025	923586026	923586027	923586028	923586029	923586030
923586031						

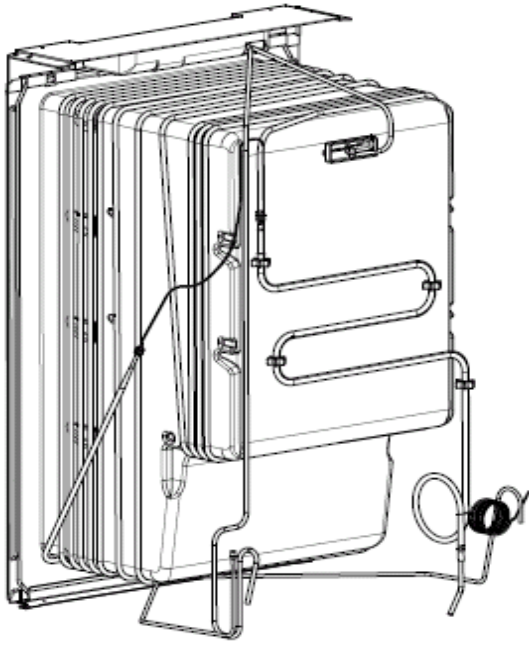
**Basemodel 190 Cooler BI DoD**



**PNCs:**

923761023	923761024	923761025	923761026			

**Basemodel 880FZDoD**



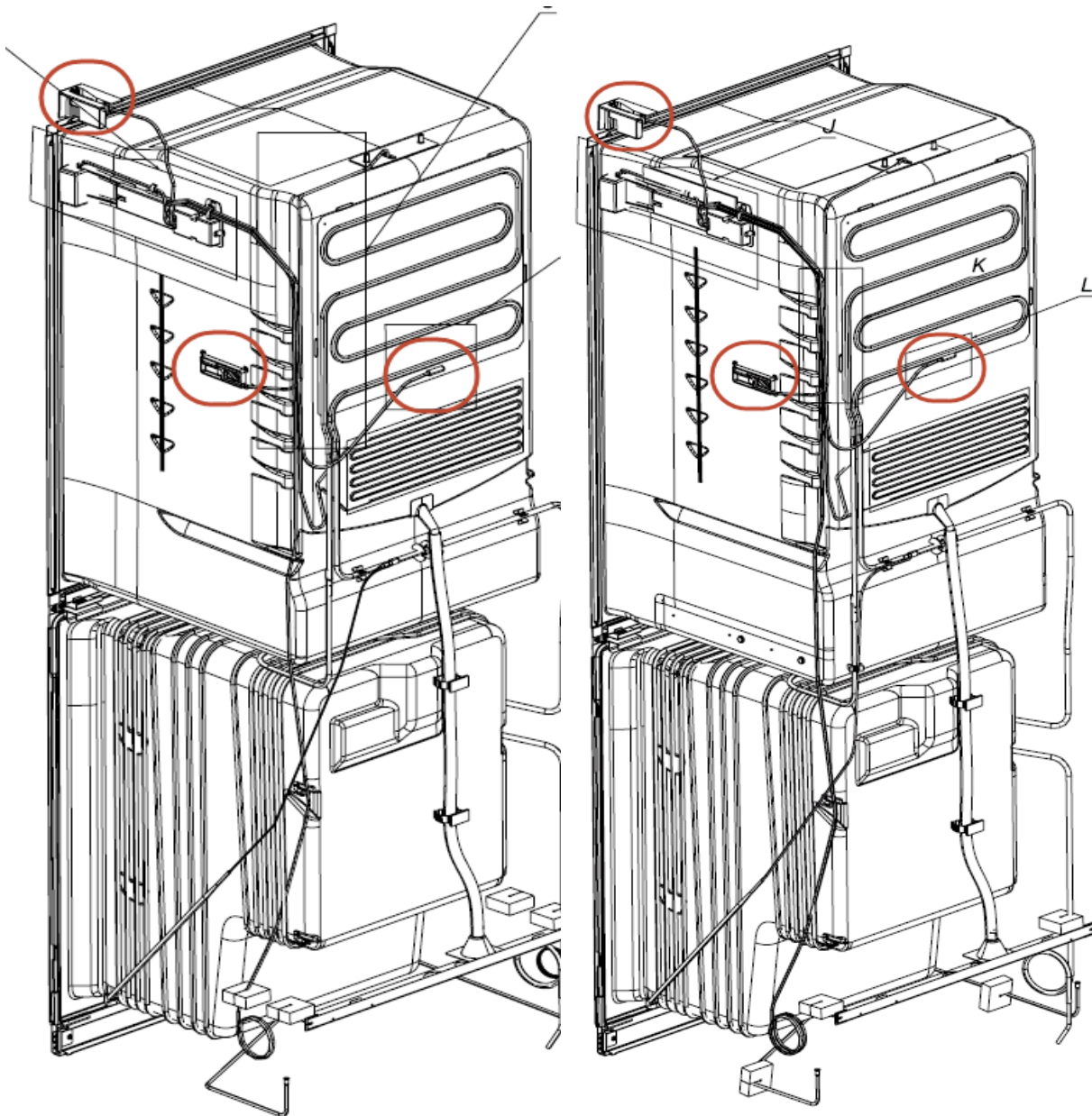
**PNCs:**

933033616	933033617	933033618				

Basemodel CBZ310

and

CBZ340

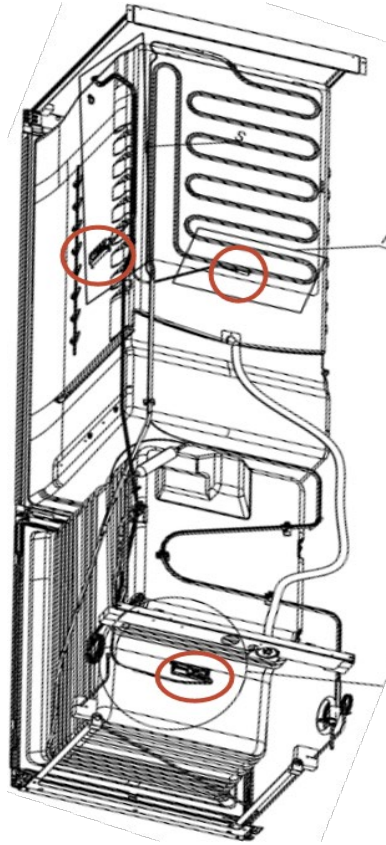
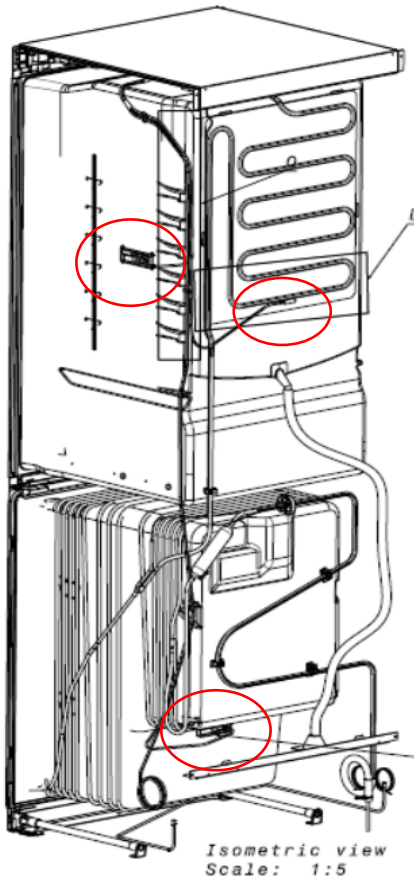


**PNCs:**

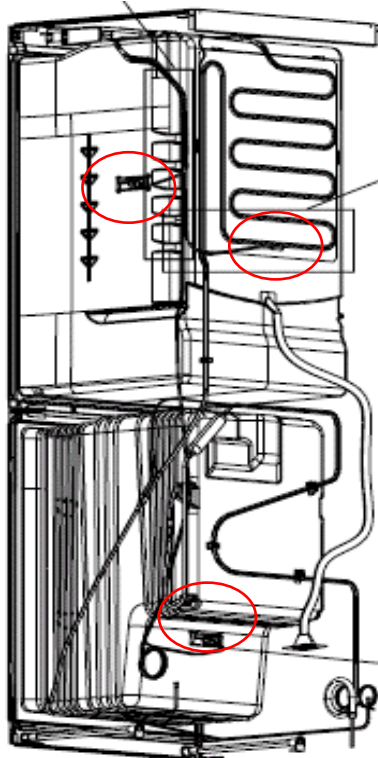
CBZ310	925053322					
925053325	925053326	925053327	925053328	925053329	925053330	925053331
925053332	925053333	925053334	925053335	925053336	925053337	925053338
925053339	925053340	925053341				
CBZ340						
925053642	925053643	925053644	925053645	925053646	925053647	925053648
925053649	925053650	925053651	925053652	925053653	925053654	925053655
925053656	925053657	925053658	925053659	925053660	925053662	925053663
925053664	925053666	925053667	925053668	925053669	925053670	925053671
925053672						

**Basemodel CBZ340 EV**

**CBZ380 EV**



**Basemodel CBZ310 EV**

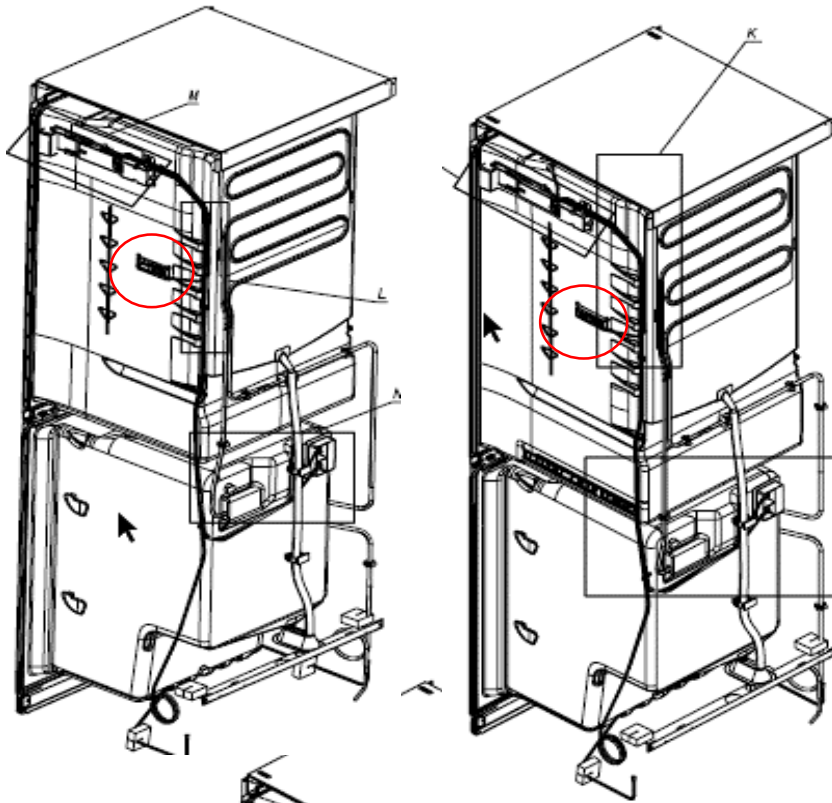


**PNCs:**

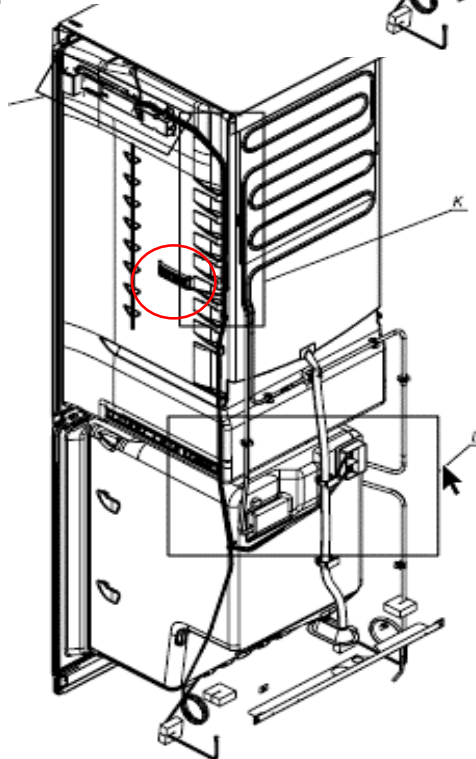
<b>CBZ310EV</b>						
925053820	925053821	925053822	925053823			
<b>CBZ340EV</b>						
925053860	925053865					
<b>CBZ380EV</b>						
925053885	925053890					

**Basemodel CBZF310**

**CBZF340**



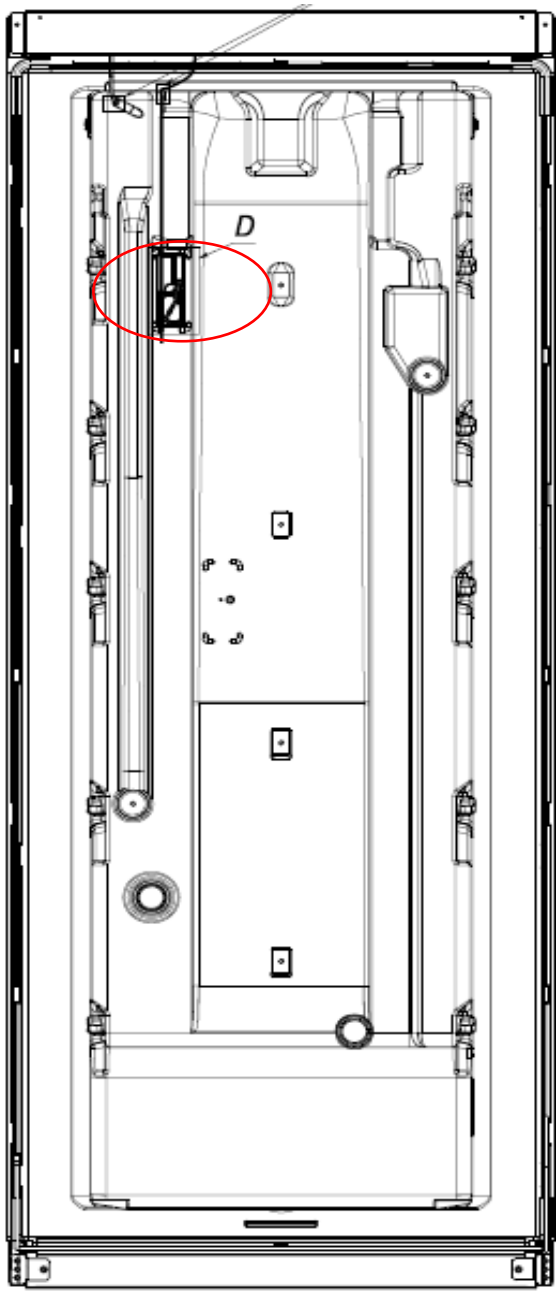
**CBZF380**



**PNCs:**

<b>CBZF310</b>	925054034	925054035	925054036			
<b>CBZF340</b>						
925054570	925054571	925054572	925054575	925054576	925054577	925054578
925054579	925054580	925054581	925054582	925054583	925054584	925054587
925054588	925054594	925054595	925054596	925054597	925054598	925054599
925071151	925071152					
<b>CBZF380</b>						
925054765						

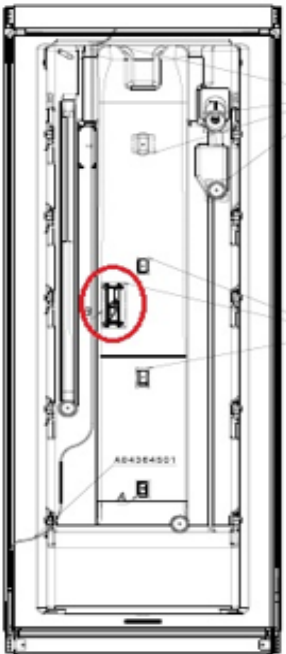
**Basemodel FZ220**



**PNCs:**

925041182	925041188	925041189				

# Basemodel FZFF200

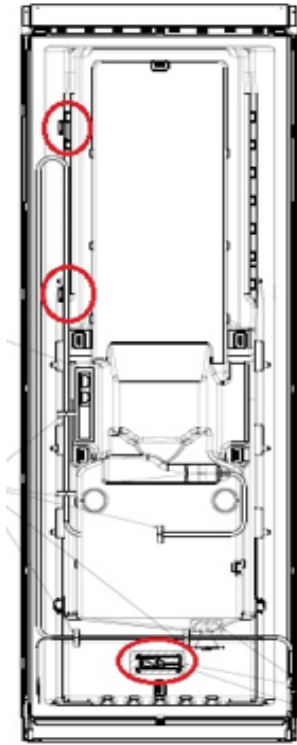


## PNCs:

925041477	925041478	925041479	925041480	925041481	925041482	925041483



**Basemodel FZFF240**



**PNCs:**

925070230	925070231	925070232	925070233	925070235	925070237	925070238
925070239	925070240					

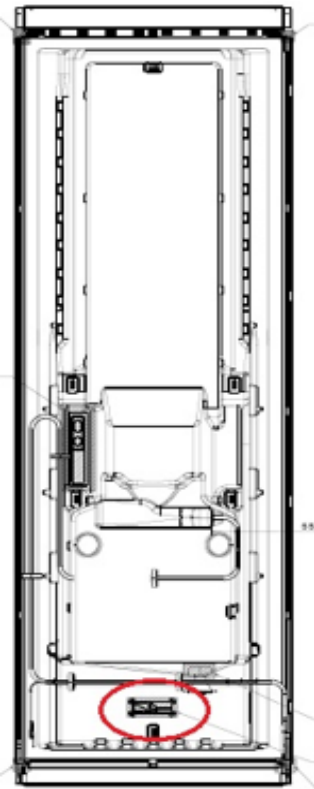
**Basemodel FZFF250**



**PNCs:**

925052603	925052604	925052605	925052606	925052607	925052608	925052609
925052610	925052612	925052613	925052614	925052615	925052616	925052618
925052619	925052620	925052621	925052622	925052623	925052624	925052625

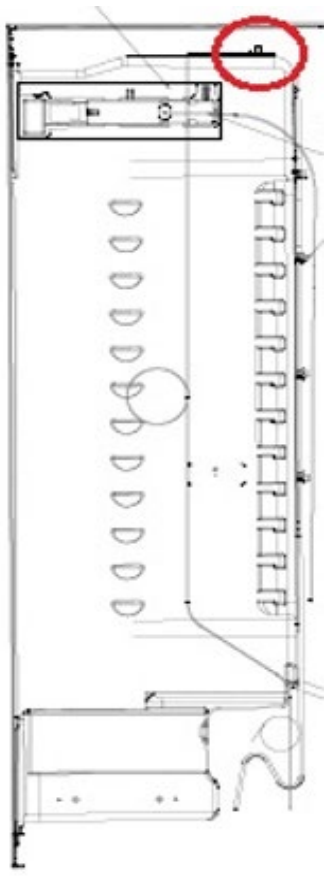
# Basemodel FZFF280



## PNCs:

925052953	925052954	925052955	925052956	925052957	925052958	925052959
925052960	925052961	925052962				

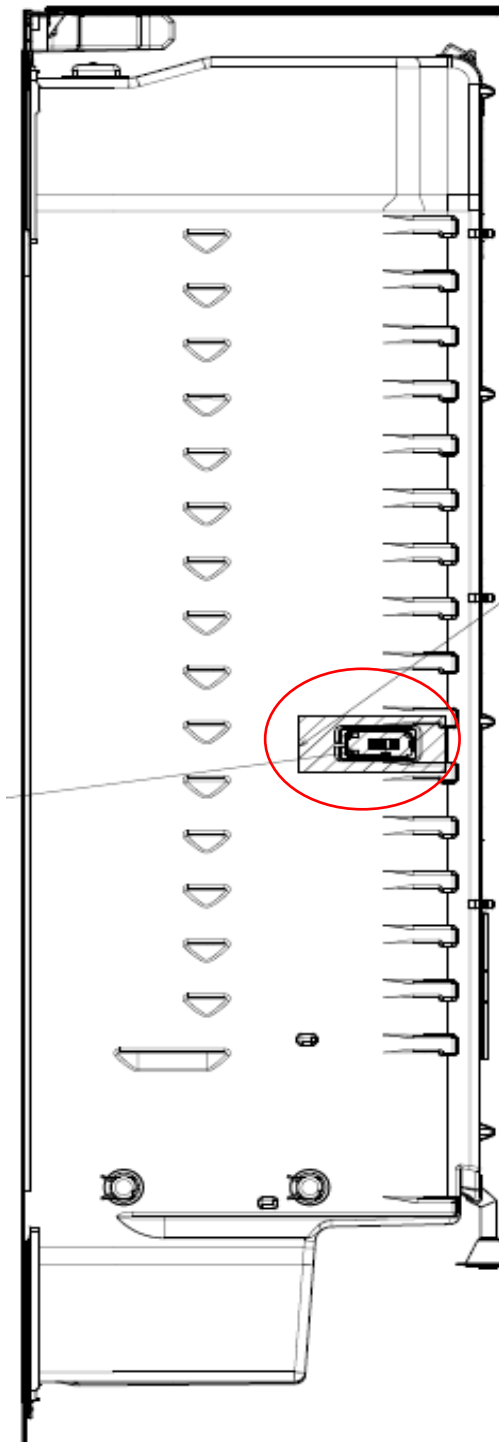
**Basemodel RF330**



**PNCs:**

925041798	925041799	925041800	925041801	925041802	925041804	

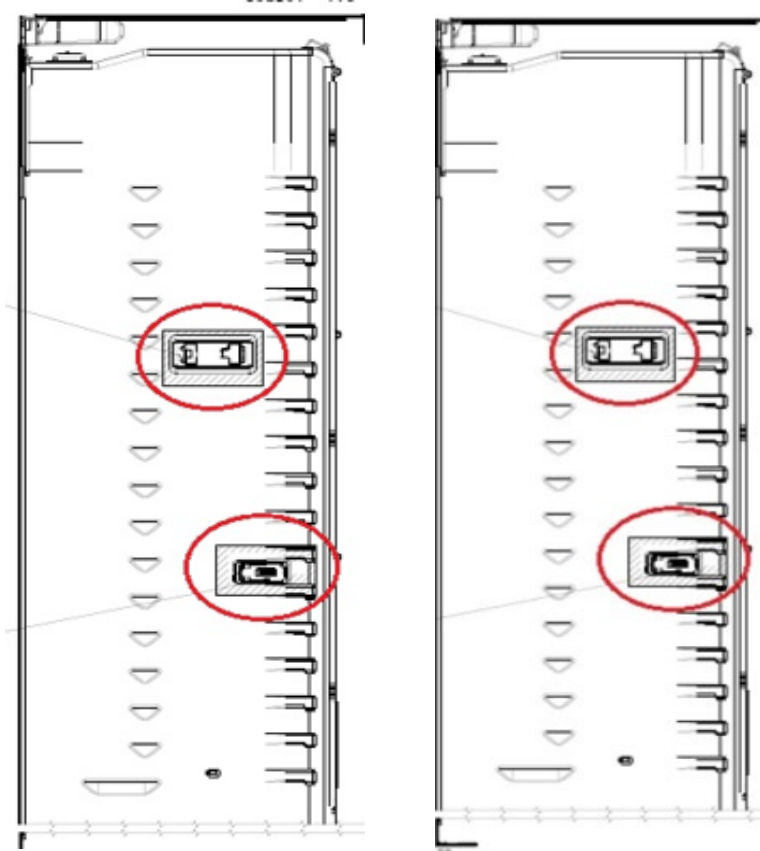
**Basemodel RF360 and RF360DME**



**PNCs:**

<b>RF360</b>						
925070439	925070441	925070442				
<b>RF360DME</b>						
925070617	925070618	925070619	925070620			

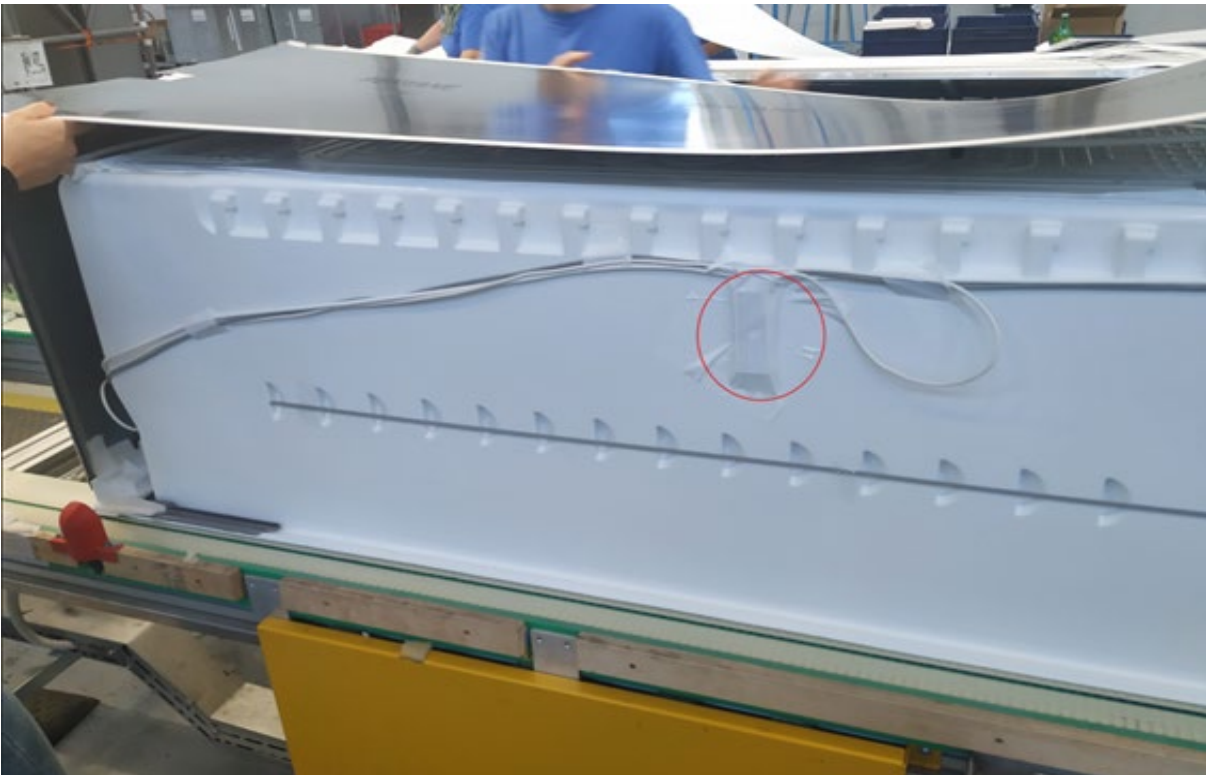
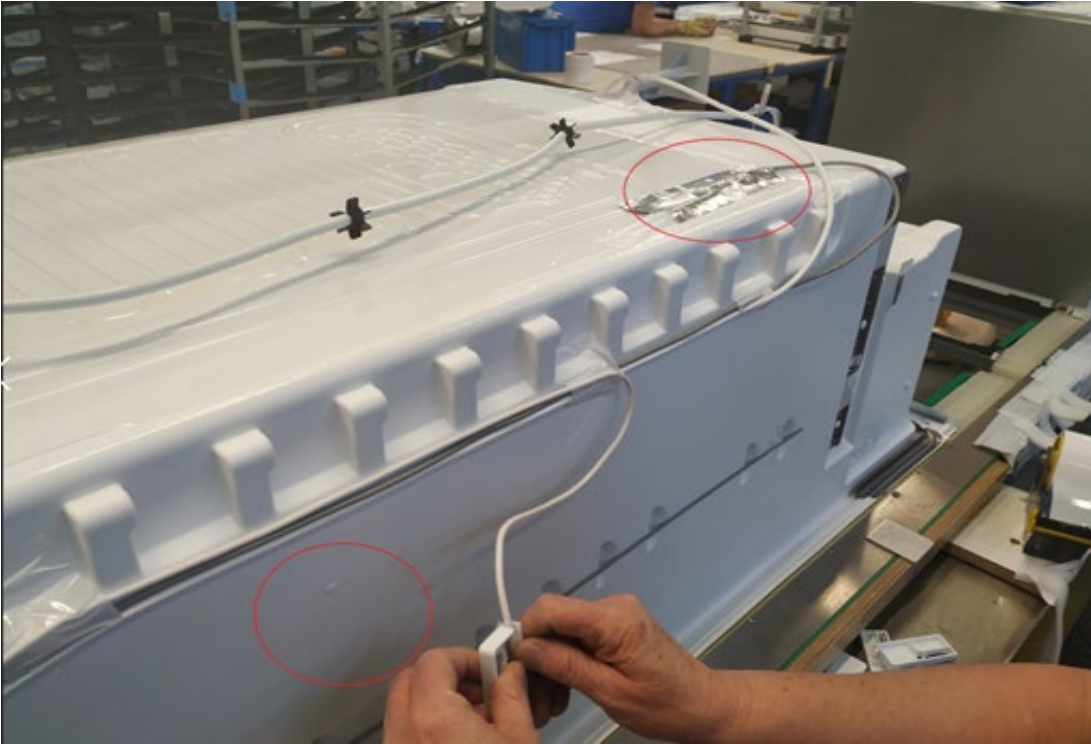
# Basemodel RF380DME



## PNCs:

925052406	925052407	925052408	925052409	925052410	925052411	
925052412	925052413	925052414	925052415			

**Basemodel RF400 and RF400DME**



**PNCs:**

925052164	925052165	925052166	925052167	925052168	925052169	
925052170	925052171	925052172	925052173	925052178	925052179	925052180
925052185	925052187	925052188	925052196	925052197	925052198	

**REVISION:**

<b>Revision</b>	<b>Date</b>	<b>Description</b>	<b>Author</b>	<b>Approved by - on</b>
0	06/2020	Document Creation	Anna Grimlund	
1	06/2020	Updated the Ohmic table and added more PNCs	Anna Grimlund	
2	06/2020	Added more drawings and PNCs	Anna Grimlund	
3	07/2020	Added more drawings and PNCs	Anna Grimlund	
4	08/2020	Added more drawings and PNCs	Anna Grimlund	
5	09/2020	Added more drawings and PNCs	Anna Grimlund	