



### CERAMIC GRILL HOLDER – KIT FOR AFTER SALES SERVICE

**DESCRIPTION:**

With the kit, improved with the cotter pine, it is easier to replace the damaged parts.

**PRODUCTS:**

Microwave MW45/MC45 (all versions  $\leq$  Vr02) manufactured by TEKA Portugal.  
All appliances with serial numbers until H 11 161xxx 0001

**SPARE PART CODE:**

4055045688 – service kit, grill support

**INTERCHANGEABILITY:**

This kit is interchangeable in all appliances on the market.

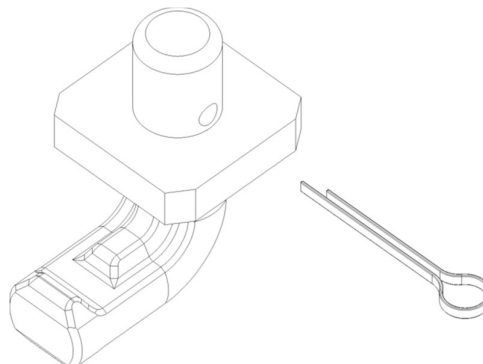
**SOLUTION:**

To solve claims motivated by ceramic grill holder on the MW 32 Vr00 series, a kit composed by a ceramic holder improved and a cotter pine is supplied.

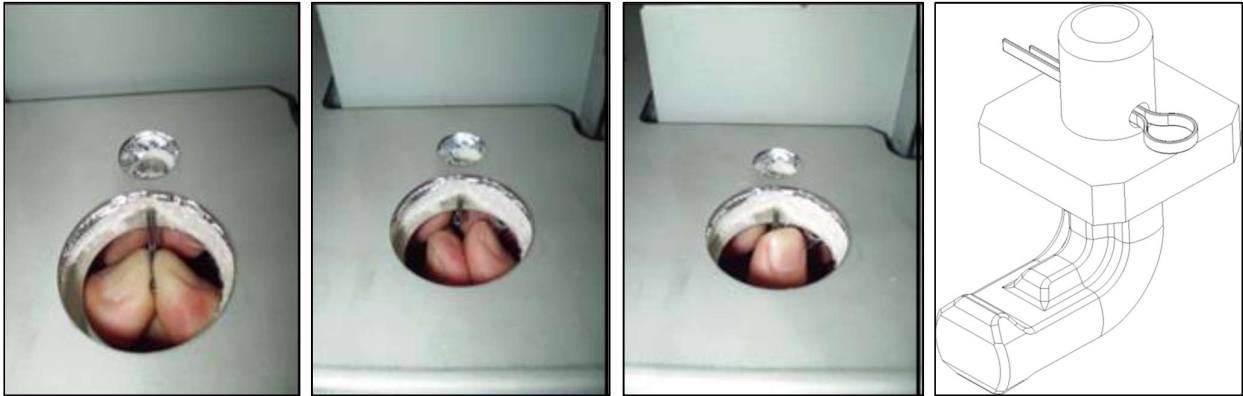
This kit allows to replace the previous version.

To operate:

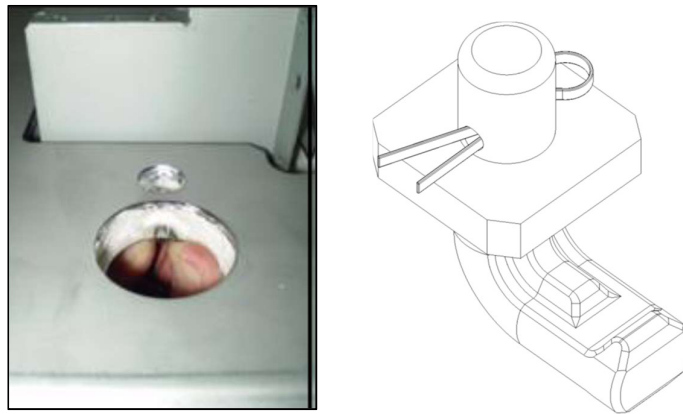
1. Remove the upper enclosure
2. Remove the internal air duct
3. Remove the lamp holder
4. Introduce the new ceramic grill holder on the existent hole on the top of the cavity;



5. Operating through the lamp hole, install the cotter pin on the hole:



6. Rotate the ceramic holder 180° and open the cotter pine extremities;



7. Re-apply the lamp holder, air duct and upper enclosure.

**REVISION:**

Revision	Date	Description	Author	Approved by - on
00	07.04.2020	Document Creation	António Viegas (Supplier)	Blanka Kucharska

23-11-07  
IT-16-018