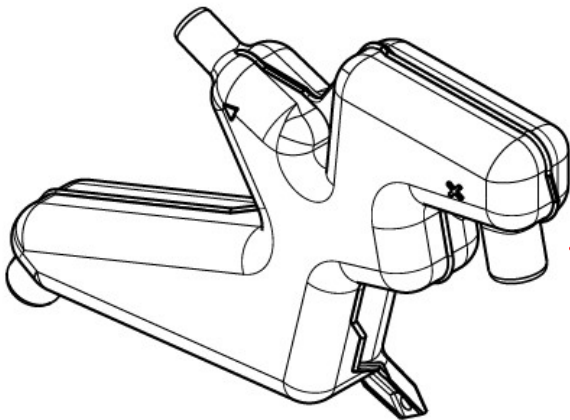




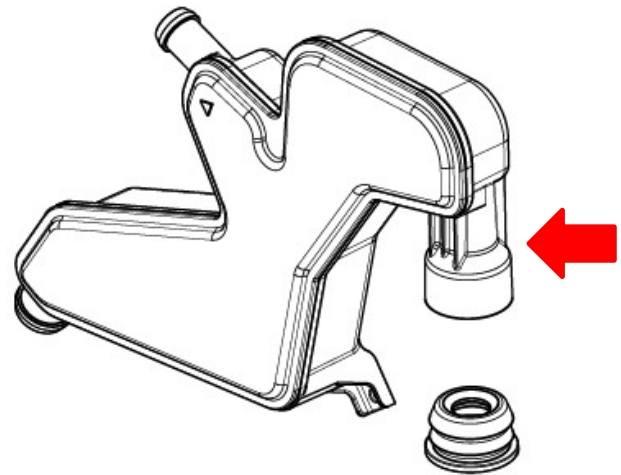
### Exchange of steam condenser with new one

#### DESCRIPTION:

In ovens, construction of steam condenser has been modified. Old steam condenser has been mounted to steam generator by usage of silicone tube and hose clamps. New steam condenser is directly coupling to steam generator.



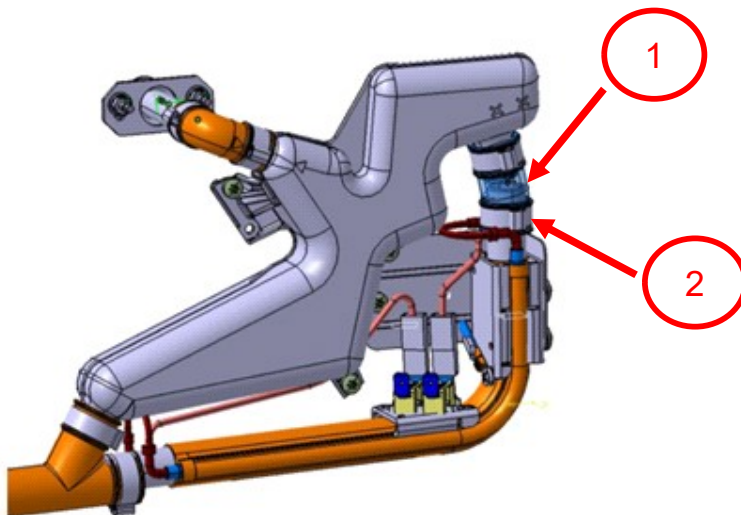
Old steam condenser



New steam condenser

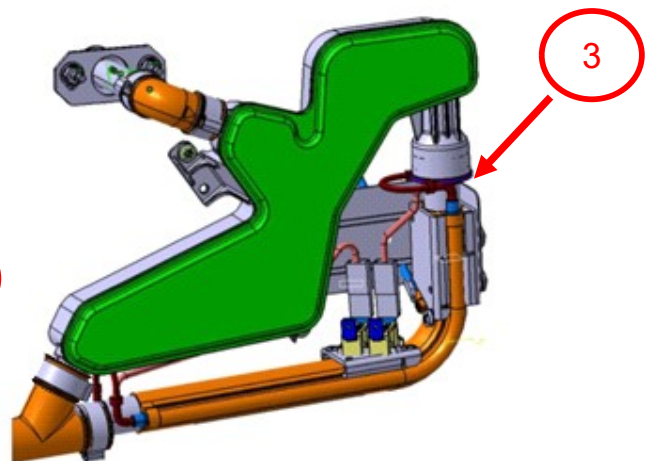
#### SOLUTION:

To mount new steam condenser in appliance, which was equipped originally with old version of steam condenser, it is required to connect steam condenser directly to steam generator by usage of gasket. Gasket and new steam condenser are offered as a set under one spare part code.



- 1 – silicone tube
- 2 – clamps

Montage of old steam condenser



- 3 – directly coupling

Montage of new steam condenser

**SPARE PART NUMBER:**

Spare part code of steam condenser, which is required to be ordered in case of exchange of old steam condenser by new one.

<b>Old steam condenser</b>	<b>New steam condenser with gasket</b>
8070530020	140133112015

**MODELS INVOLVED:**

This solution is valid for all PNCs which are equipped with old steam condenser.

**REVISION:**

<b>Revision</b>	<b>Date</b>	<b>Description</b>	<b>Author</b>	<b>Approved by - on</b>
00	03/2020	Document Creation	Ewelina Fidor	Aleksandra Tutak 2020-03-24 Flavia Maffei 2020-03-24