



Electrolux

SERVICE MANUAL

Food Preparation

Document Revisions

Rev.	Date	Description	Author
00	05/2019	Document creation	Rui Almeida

FOR INTERNAL AND PARTNERS USE ONLY

© ELECTROLUX HOME PRODUCTS
Consumer Service - EMEA
Quality & Continuous Improvement - Technical Support

Warming drawer

KBD4

KDK911424

KDE911424

KDK912924

KDE912924

KD911420

KD91406

KDK911420

KDK911420

KDK911422

WS14, WS16, WS20,
WS21, WS29

EN

Publication number

599 83 01 - 56

Edition: 05/2019 - Rev. 00

1. Introduction



- **Electrical appliances must be serviced only by qualified Service Engineers.**
- **Always remove the plug from the power socket before touching internal components.**

This service manual contains descriptions and diagrams explaining the technical specifications and functions of appliances. The manual is intended to help service engineers understand how the appliance works, pinpoint failures and assemble and remove items.

The technical specifications of the appliances in this manual may vary, without notification being given, based on the manufacturer's requirements. Major modifications will be notified to technical departments using specific information channels already in use.

The manufacturer shall not be held liable in any way whatsoever for any material and/or financial damage relating to the use and contents of this manual and to the adoption of the above modifications without notification being given.

2. Technical data and details

Technical data and details – Drawer 15 cm

Type

Family: Drawer

Commercial height: 15 cm

Type: Heating

Controls

Type of controls adjustment device: Knobs

N° of knobs: 1

Programs / Functions

Defrosting: Yes

Proving: Yes

Cup warmer: Yes

Keeping warm: Yes

Dish warmer: Yes

Keep food warm: Yes

Slow cooking: No

Technical Specifications

Opening mechanism: Push-pull

Support base material: Steel

Maximum weight inserted: 15 Kg

Maximum weight supported by the drawer's structure: 85 Kg

Capacity: 21 L

Type of heating: Ventilated

Minimum temperature: 30 °C

Maximum temperature: 80 °C

Accessories included: Non-slip silicone mat

Electric connection

Rate power: 800 W

Current: 3.5 A

Voltage: 220-240 V

Frequency: 50-60 Hz

Logistic Information

Product width: 595 mm

Product depth: 551 mm

Product height: 139 mm

Technical data and details – Drawer 29 cm

Type

Family: Drawer

Commercial height: 29 cm

Type: Heating

Controls

Type of controls adjustment device: Knobs

N° of knobs: 1

Programs / Functions

Defrosting: Yes

Proving: Yes

Cup warmer: Yes

Keeping warm: Yes

Dish warmer: Yes

Keep food warm: Yes

Slow cooking: No

Technical Specifications

Opening mechanism: Push-pull

Support base material: Steel

Maximum weight inserted: 15 Kg

Maximum weight supported by the drawer's structure: 85 Kg

Capacity: 51 L

Type of heating: Ventilated

Minimum temperature: 30 °C

Maximum temperature: 80 °C

Accessories included: Non-slip silicone mat, support rack

Electric connection

Rate power: 800 W

Current: 3.5 A

Voltage: 220-240 V

Frequency: 50-60 Hz

Logistic Information

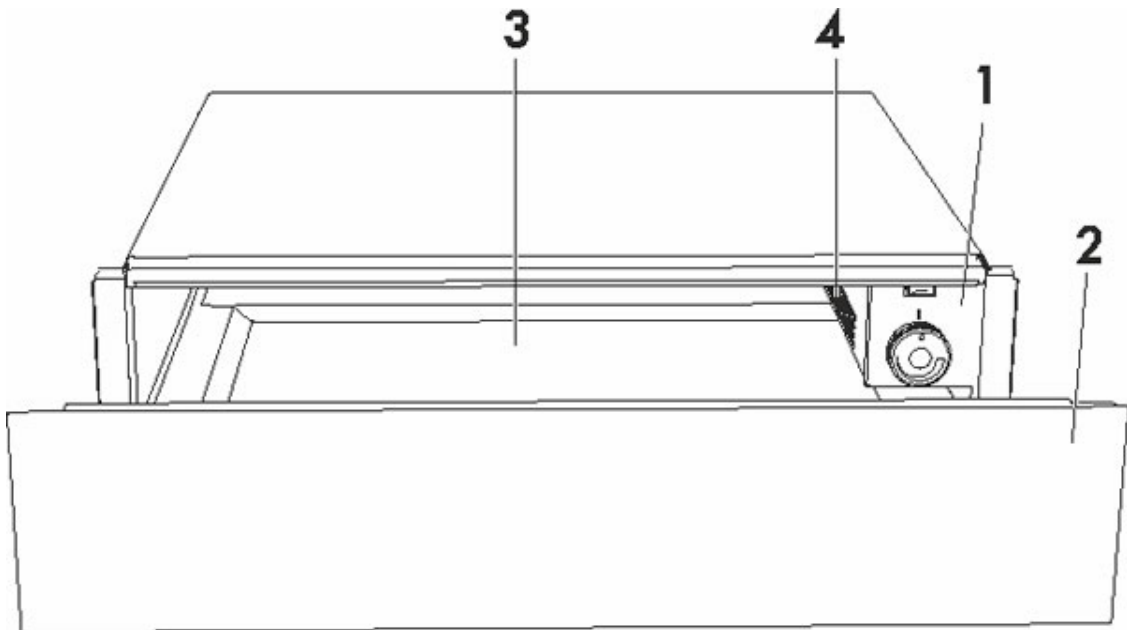
Product width: 595 mm

Product depth: 551 mm

Product height: 290 mm

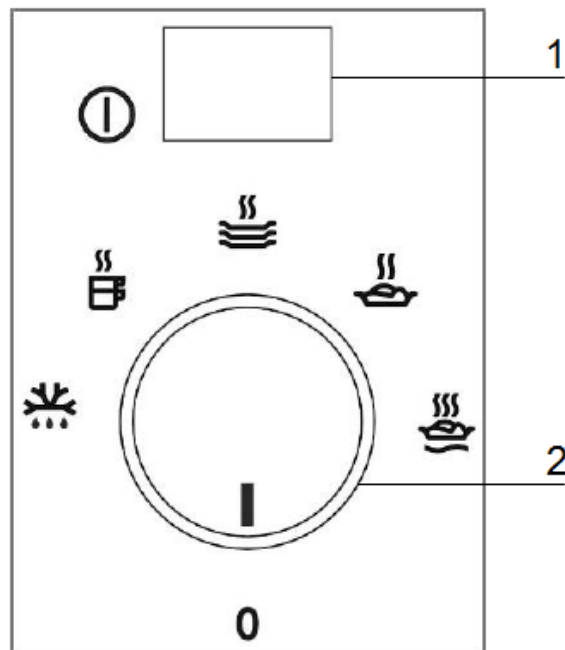
3. Understanding the product and its operation

GENERAL VIEW



- 1- CONTROL PANEL
- 2- DRAWER
- 3- NON-SLIP BASE
- 4- HEATING FAN

CONTROL PANEL



- 1- ON/OFF SWITCH: Switches the device on/off
- 2- TEMPERATURE KNOB: This is used to select the desired function.

OPERATION AND TEMPERATURE FUNCTIONS

The warmer drawer is equipped with a heating fan on the right side of the product, which produces warm air required for various functions.

The fan block cannot be dismantled (apart from the functions knob). Therefore, it will be supplied as an heating unit as a spare part.

Operations:






With the drawer OFF: all is off.

With the drawer ON and knob on zero: fan is on, light is on, heating element is off.

With the drawer ON and knob on a function: fan is on, light is on, heating element is on.

Functions:

The warming block is provided with a bulb inside the drawer, which detect the temperature according to the function selected.

Symbol	°C (*)	Function	Warning
	30°C	Defrosting. Dough proving. Yoghurt fermentation.	- Cover the dough. Cover the tub.
	45°C	Warming cups and glasses.	-
	60°C	Warming dinner plates. Reheating delicate foodstuffs.	- Preheat the dish.
	70°C	Keeping foodstuffs warm.	Preheat the dish and cover the food.
	80°C	Reheating foodstuffs.	Preheat the dish.

CAPACITY

The drawer can contain a maximum load of 15 Kg

4. Parts disassembly

4.1 Notes

- a) For safety reasons before any intervention disconnect the hydraulic and electrical connections. Failure to observe these safety regulations may result in damage to people and/or property.

- b) To prevent the risk of electric shock it is compulsory to disconnect the appliances from the mains by disconnecting the plug or lowering the magnetothermic switch on the main panel.

- c) The following notes show how to dismantle the main components, to reassemble them carry out the operations in reverse order.

4.2 Tools used



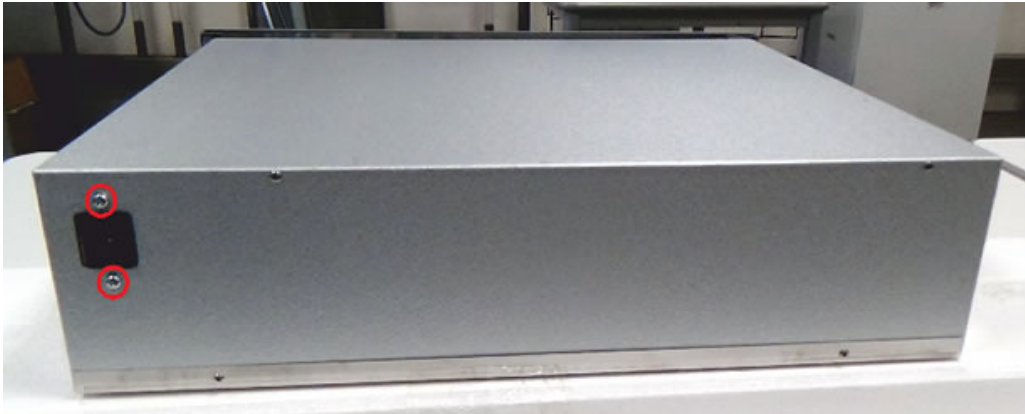
4.3 Disassembly sequence

4.3.1 Heating unit

1. Extract the drawer from the kitchen furniture and, using tool no. 4, remove the four screws indicated from the right side.



2. Using tool no. 4, remove the two screws indicated at the back of the drawer.



3. Open the drawer.



4. Push the connector inside the drawer.



5. Extract the heating unit from the drawer.

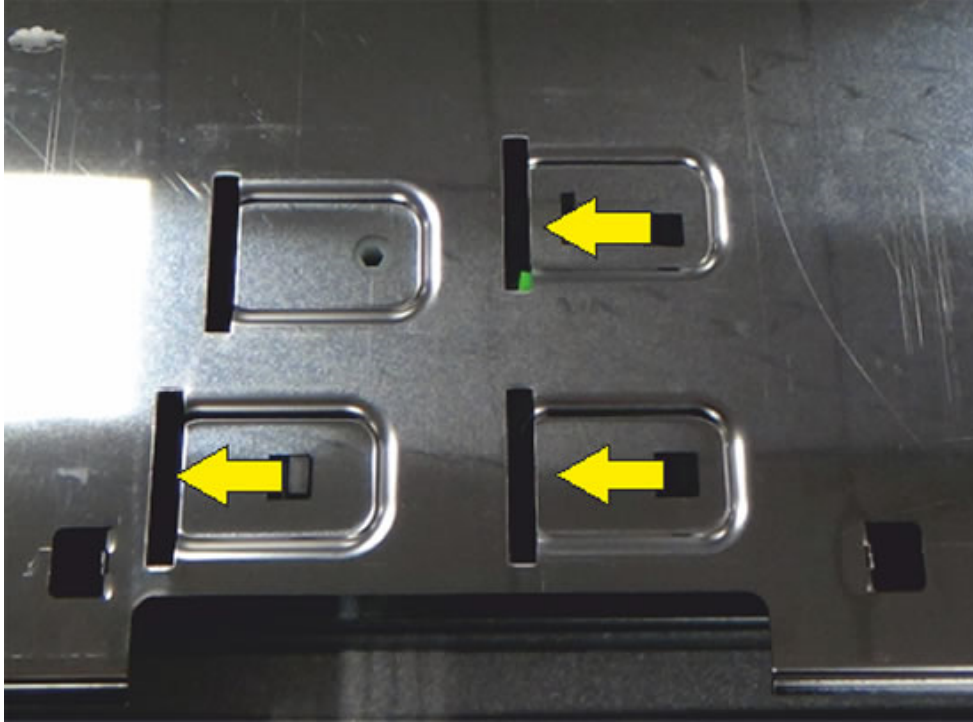


6. View of the heating unit disassembled.



4.3.2 Door opening mechanism

1. Extract the product from the kitchen furniture, remove the drawer from the guides, then from the bottom, use the three tabs indicated and make them slide out of the block. It will then be possible to extract the mechanism.



2. View of the disassembled block.

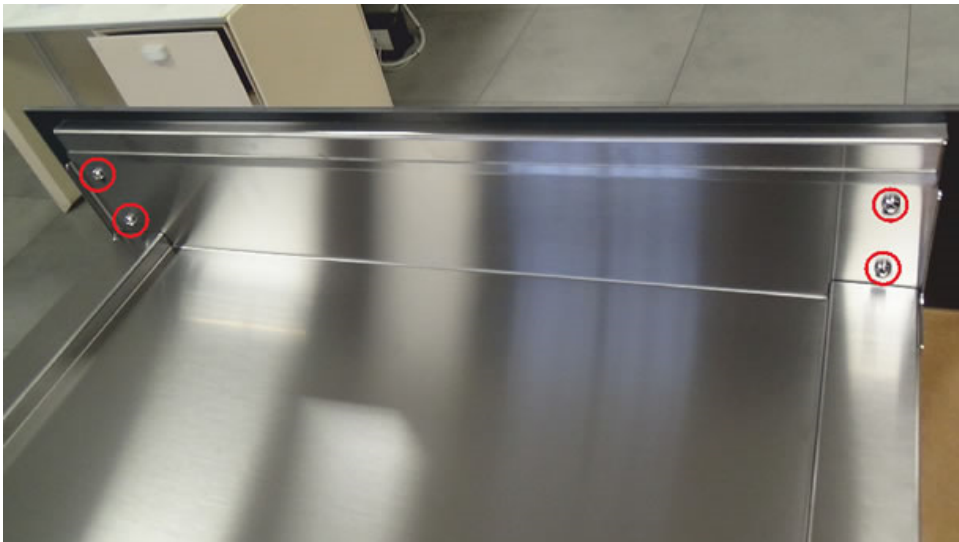


4.3.3 Door front panel

1. Open the door of the warming drawer.



2. Using tool no. 1, remove the four screws indicated inside the drawer.



3. It is now possible to remove the front panel from the drawer.



4. View of the front panel disassembled.



4.3.4 Upper plate and gasket

1. Extract the drawer from the kitchen furniture and, using tool no. 4, remove the four screws indicated (two on each side). It is now possible to remove the plate, followed by the gasket.



2. View of the plate and gasket disassembled.



4.3.5 Side guides

1. Extract the drawer from the guides by opening it almost completely.



2. Lift the drawer from the guides.



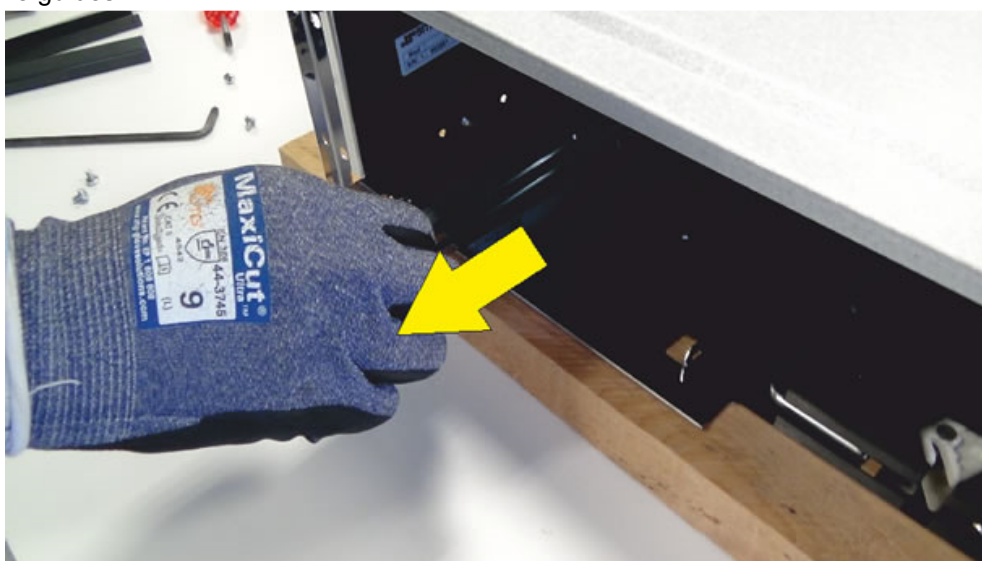
3. Pull the drawer by removing it completely from the guides.



4. Remove the warmer drawer from the kitchen furniture and use tool no. 4 to remove the four screws circled for each side.



5. Remove the guides.



6. View of the guides disassembled.

