

Faulty temperature sensor

This document provides the position of the temperature sensor in refrigeration appliances. The PNC table is organised using short PNCs and the listed position is applicable to all PNCs in the range.

This document also provides instructions for using Kit B when replacing the temperature sensor.

The kit to use:

50292181000 - KIT B		
SPARE PART NO.	DESCRIPTION	QUANTITY
2425155013	Temperature sensor for the service	1
2425156029	Temperature sensor housing cover	1
2230073013	White screw cover	1
5190900133	Fixing screw	1
50287147008	50 mm heat shrink tubing	1
50287145002	15 mm heat shrink tubing	2
5993741361	Service Instructions	1

Note: Instead of welding the cables together as instructed in Kit B, the recommended way is to use 3M **Scotchlok** UY2. For more information see chapter [Instructions for replacing the NTC sensor](#).

PNC table

PNC	Air refrigerator	Pos.	Evaporator refrigerator	Air 0°C		Evaporator 0°C		Air freezer	Pos.	Base model
					Pos.					
922 738 0XX								B	10	FZ220FFSBS
922 760 0XX								B	3	115 Freezer FF BI SD
922 761 0XX								B	3	115 Freezer FF BI DoD
922 762 0XX								B	1	80FZBISD
922 763 0XX								B	1	80FZBIDoD
922 765 0XX								B	35	110 Freezer BI SD
922 767 0XX								B	1	80FZBOXBISD
922 782 0XX								B	10	1780FZFFSD
922 783 0XX								B	10	1780FZFFWD
922 784 0XX								B	10	1780FZFFDoD
923 581 XXX	B	14	Not replaceable							1780RFSD
923 582 XXX	B	14	Not replaceable							1780RFWD
923 583 0XX	B	7								17804SSD

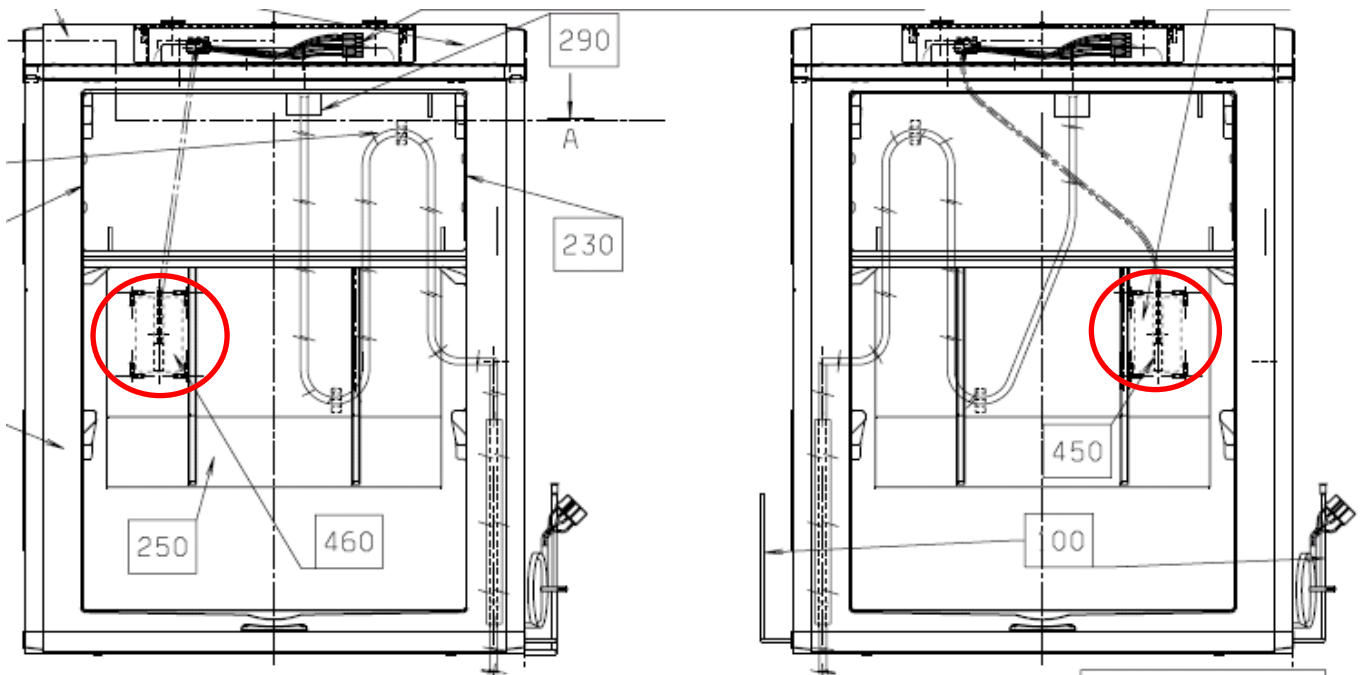
PNC	Air refrigerator	Pos.	Evaporator refrigerator	Air 0°C	Pos.	Evaporator 0°C	Air freezer	Pos.	Base model
923 584 XXX	B	14	Not replaceable						1780RFDoD
923 585 0XX	B	7							17804SDoD
923 586 0XX	B	33	Not replaceable	B	33	Not replaceable			1780RFZDoD
923 587 0XX	B	19	Not replaceable			Not replaceable	B	19	17804SZDoD
923 748 XXX	B	16	Not replaceable						195 0° **** BI DoD
923 761 0XX	B	11	Not replaceable						190 Cooler BI DoD
923 771 XXX	B	11	Not replaceable						175**** BI DoD
923 775 0XX	B	2	Not replaceable						1225RFDoD
923 776 0XX	B	18	Not replaceable						12254SDoD
923 781 XXX	B	11	Not replaceable						215**** BI DoD
923 794 0XX	B	12	Not replaceable	B	12	Not replaceable			1400RFZDoD
923 795 0XX	B	12	Not replaceable	B	12	Not replaceable			14004SZDoD
923 802 XXX	B	17	Not replaceable						330 Wine Cellar BI GWD
923 812 XXX	B	16	Not replaceable						310 0°C Cooler BI DoD
923 817 XXX	B	14	Not replaceable						RF323SBS
923 821 0XX	B	16	Not replaceable						210 0° Cooler BI DoD
923 886 0XX	B	18	Not replaceable						12254SSD
925 033 7XX	B	20	Not replaceable				B	20	CBFF340
925 033 8XX	B	20	Not replaceable				B	20	CBFF380
925 033 9XX	B	20	Not replaceable				B	20	CBSD380
925 034 5XX	B	20	Not replaceable				B	20	CBFF340
925 034 6XX	B	20	Not replaceable				B	20	CBFF340
925 041 1XX							B	23	Fz220
925 041 4XX							B	24	FzFF200
925 041 7XX	B	25							RF330
925 052 0XX	B	25							RF400
925 052 1XX	B	25							RF400
925 052 2XX	B	26							RF400DME
925 052 3XX									RF380DME
925 052 7XX							B	24	FzFF250
925 052 8XX							B	24	FzFF250
925 052 9XX							B	32	FZFF280
925 053 36X	B	27					B	27	CBM340
925 053 80X	B	28							CBZ310EV
925 053 81X	B	28							CBZ310EV
925 053 85X	B	13					B	13	CBZ340EV
925 053 87X									CBZ380EV
925 053 9XX									CBM380
925 054 0XX	B	22							CBZF310
925 054 2XX	B	22							CBZF340

PNC	Air refrigerator	Pos.	Evaporator refrigerator	Air 0°C		Evaporator 0°C	Air freezer		Base model
					Pos.			Pos.	
925 054 3XX	B	22							CBZF340
925 054 4XX	B	22							CBZF345
925 054 6XX	B	22							CBZF380
925 054 7XX	B	22							CBZF380
925 054 8XX	B	27					B	27	CBMF340
925 054 9XX	B	27					B	27	CBMF380
925 055 0XX	B	27					B	27	CBMS340
925 055 1XX	B	27					B	27	CBMS380
925 055 2XX	B	27					B	27	CBMS380
925 070 2XX									FZFF240
925 070 4XX	B	41	41						RF360
925 070 6XX	B	41	41						RF360DME
925 070 7XX	B	30	Not replaceable			Not replaceable	B	30	CBZS340
925 070 9XX	B	30	Not replaceable			Not replaceable	B	30	CBZS380
925 071 0XX	B	27						27	CBMS380
925 500 0XX	B	8	Not replaceable				B	8	1780CBVSD
925 501 0XX	B	6					B	6	1780CBFFVSD
925 504 0XX	B	6					B	6	1780CBFF50SD
925 505 0XX	B	6					B	6	1780CBFFSD
925 506 0XX	B	6					B	6	1780CBFF5SD
925 511 0XX	B	8	Not replaceable				B	8	1780CBVDoD
925 512 0XX	B	8	Not replaceable						1780CBDoD
925 513 0XX									1580CBSD
925 514 0XX	Complete assembly	9	Not replaceable	Complete assembly	9	Not replaceable	B	9	1780CBZDoD
925 515 0XX	B	8	Not replaceable						1780CB50SD
925 516 0XX	B	6					B	6	1780CBFFVDoD
925 560 0XX	B	31	Not replaceable				B	31	1900CBSD
925 561 0XX	B	29	Not replaceable				B	29	1900CBFFVSD
925 582 XXX	B	15	Not replaceable				B	15	1850CBFFSD
925 584 5XX	B	4							4331CFF
925 771 7XX	B	5							290NFBI
925 817 0XX	B	21	Not replaceable				B	21	CB269FFSBS
927 15x xxx	B	40	40						RF375DME
933 013 4XX							B	42	FZ190
933 014 6XX							B	43	TT100FF
933 014 8XX							B	39	TT110FMX
933 019 XXX							B	45	880RFD0D
933 020 0XX	B	46	46						8804SD0D
933 020 5XX	B	46	46						8804SD0D
933 026 0XX							Not replaceable		820FFFZDOD
933 027 0XX							Not replaceable		820FZDOD
933 031 0XX							Not replaceable		820FZSD

PNC	Air refrigerator	Evaporator refrigerator		Air 0°C		Evaporator 0°C		Air freezer		Base model
		Pos.			Pos.		Pos.			
933 033 2XX	B	<u>2</u>	Not replaceable							1225RFDoD
933 033 3XX	B	<u>18</u>	Not replaceable							12254SDoD
933 033 4XX								B	<u>38</u>	1225FZFFDoD
933 033 6XX								B	<u>44</u>	880FZDoD
933 033 7XX								B	<u>44</u>	880FZSD
933 033 9XX	B	<u>49</u>	<u>49</u>							6/6-4SWD
933 034 0XX	B	<u>49</u>	<u>49</u>							7/6-4SDoD
933 034 1XX	B	<u>49</u>	<u>49</u>							7/6-4SWD
933 034 2XX	B	<u>34</u>								10/6-4SDoD
933 034 3XX	B	<u>34</u>								10/6-4SWD
933 034 4XX	B	<u>36</u>								12/6-4SDoD
933 034 5XX	B	<u>36</u>								12/6-4SWD
933 034 6XX	B	<u>37</u>						B	<u>37</u>	12/6-CBFFVDoD
933 034 7XX	B	<u>37</u>						B	<u>37</u>	12/6-CBFFVWD
933 034 8XX	B	<u>47</u>						B	<u>47</u>	13/6-CBFFVDoD
933 034 9XX	B	<u>47</u>						B	<u>47</u>	14/6-CBFFVDoD
933 035 1XX	B	<u>48</u>								14/6-4SDoD

POSITIONS OF TEMPERATURE SENSORS:

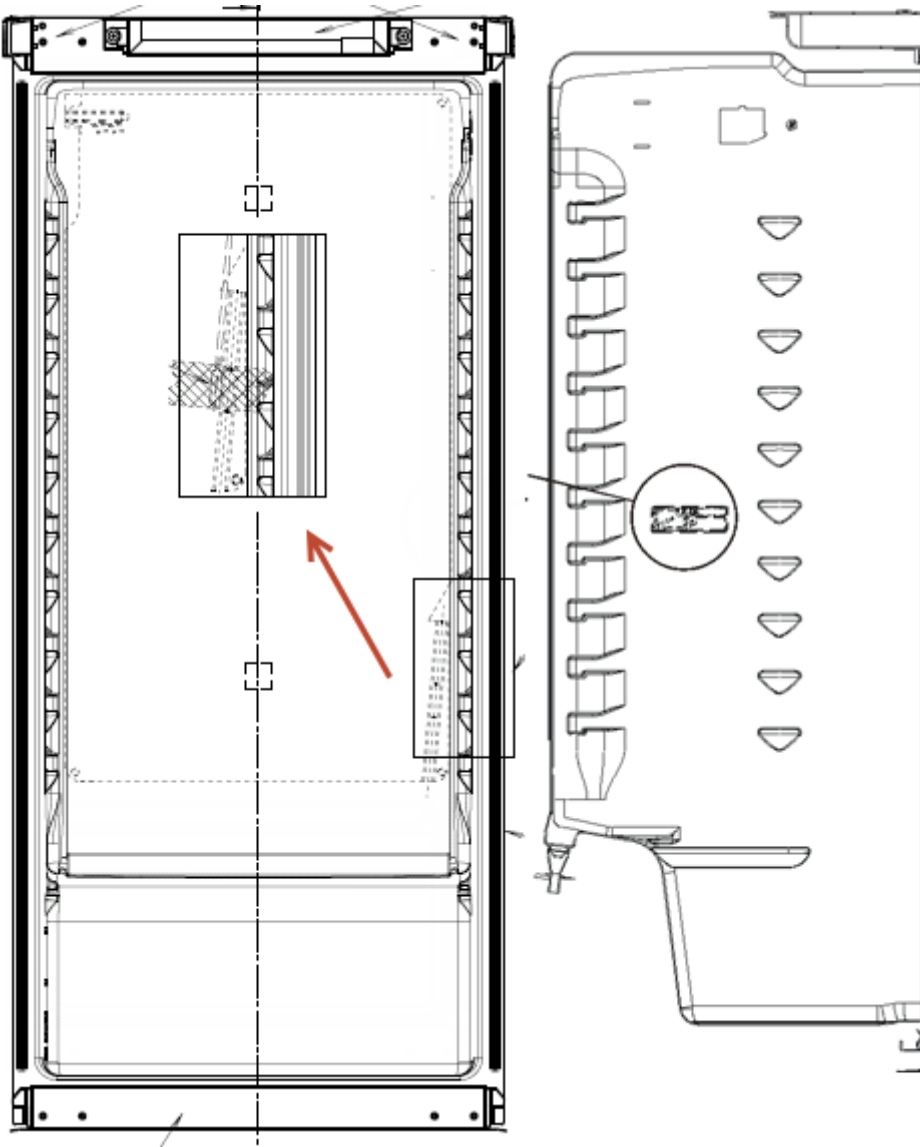
POSITION 1



- 9227620 - 80FZBISD
- 9227630 - 80FZBIDoD
- 9227670 - 80FZBoxBISD

[Back to PNC table](#)

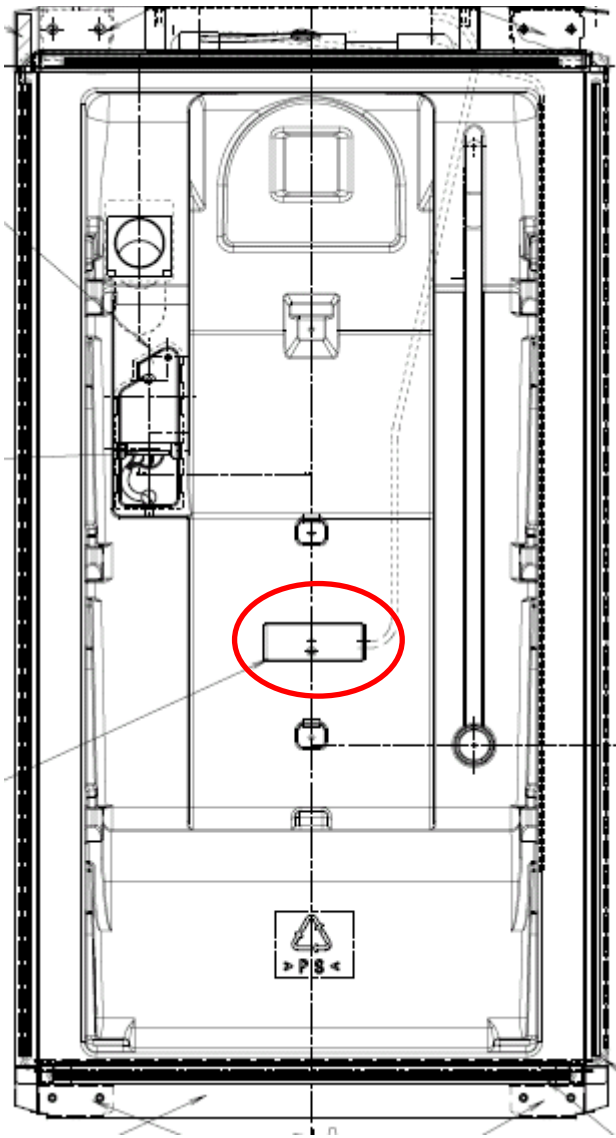
POSITION 2



- 9237750, 9330332 - 1225RFD0D

[Back to PNC table](#)

POSITION 3



- 9227600 - 115FreezerFF BI SD
- 9227610 - 115FreezerFF BI DoD

[Back to PNC table](#)

POSITION 4



- 9255845 - 4331CFF

[Back to PNC table](#)

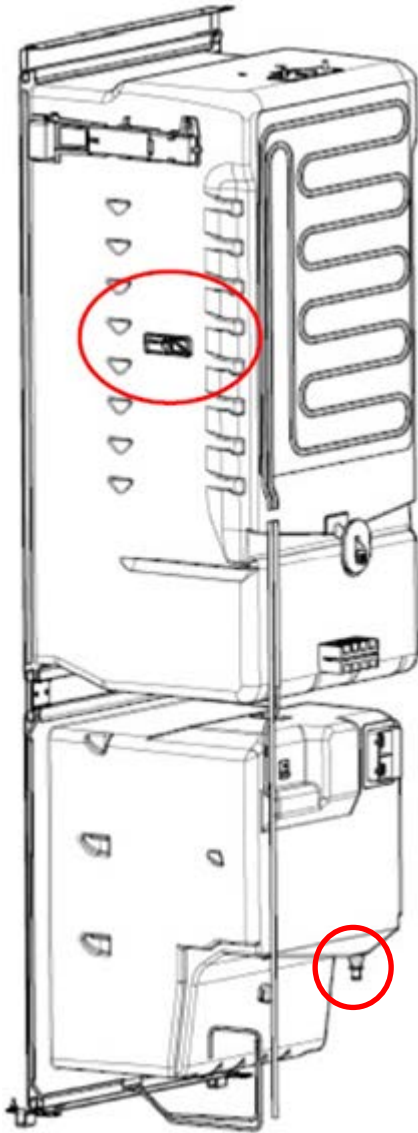
POSITION 5



- 9257717 - 290NFBI

[Back to PNC table](#)

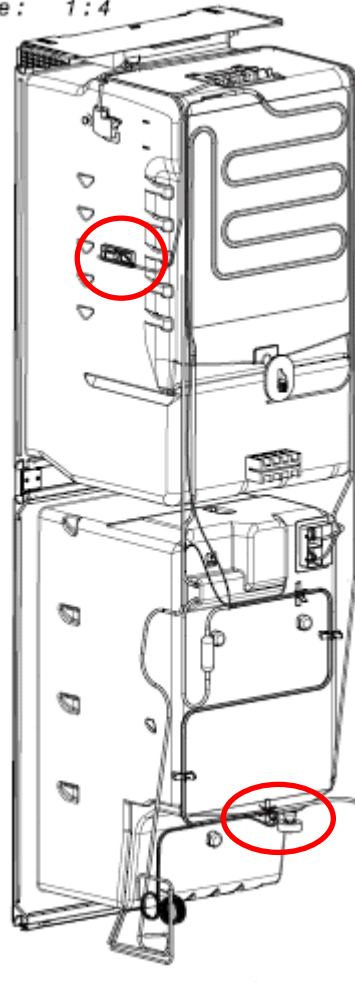
POSITION 6



- 9255050 -1780CBFFSD

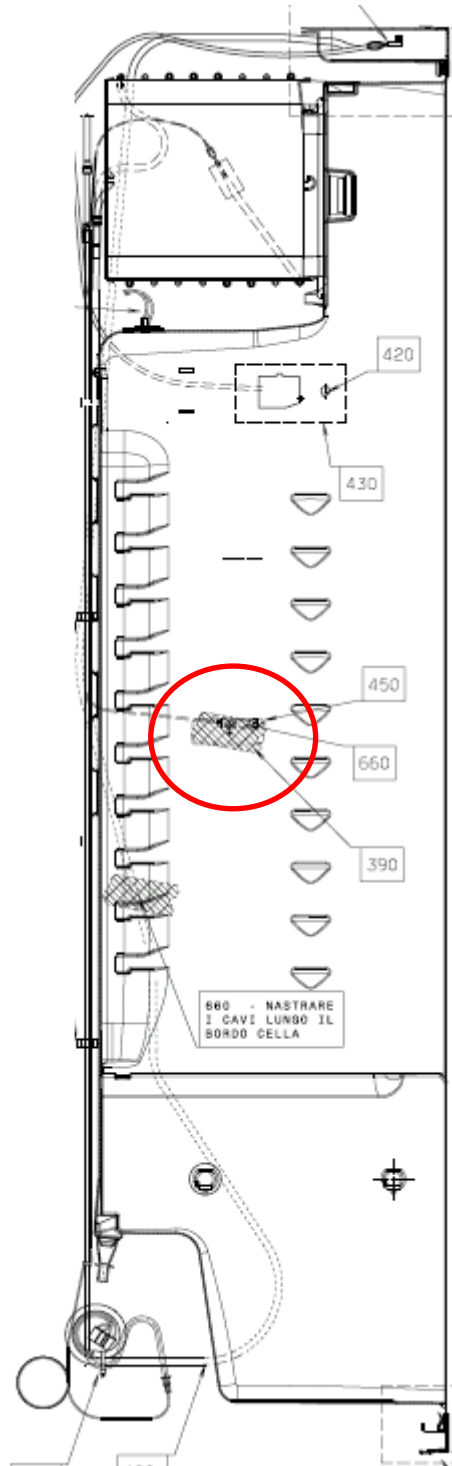
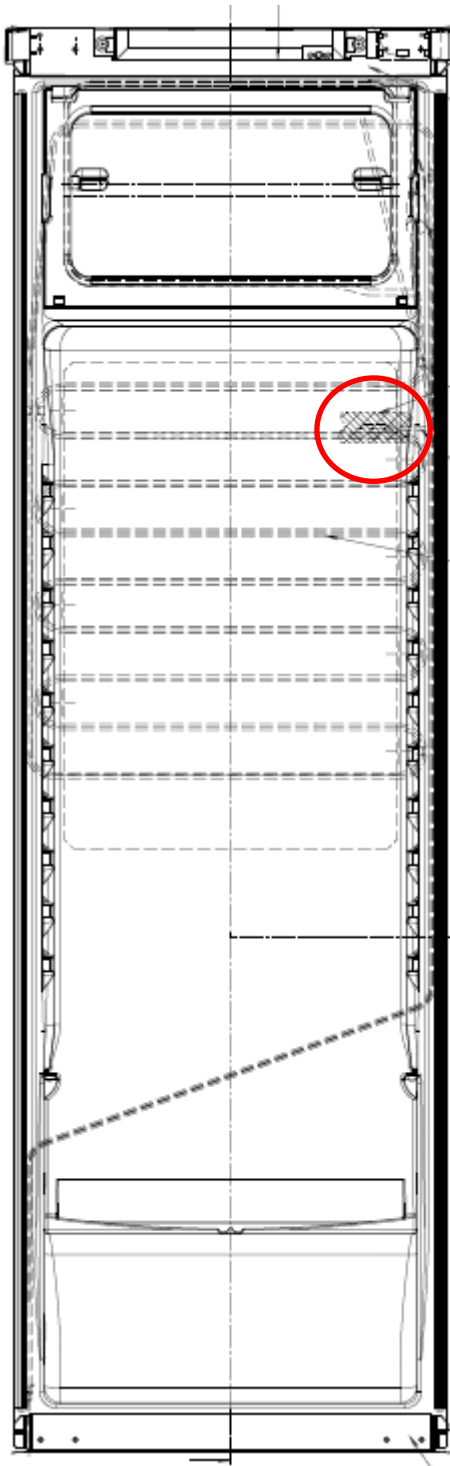
[Back to PNC table](#)

L VIEW
le: 1:4



- 9255040 - 1780CBFF50SD
- 9255060 - 1780CBFF5SD
- 9255010 - 1780CBFFVSD
- 9255160 - 1780CBFFVDoD

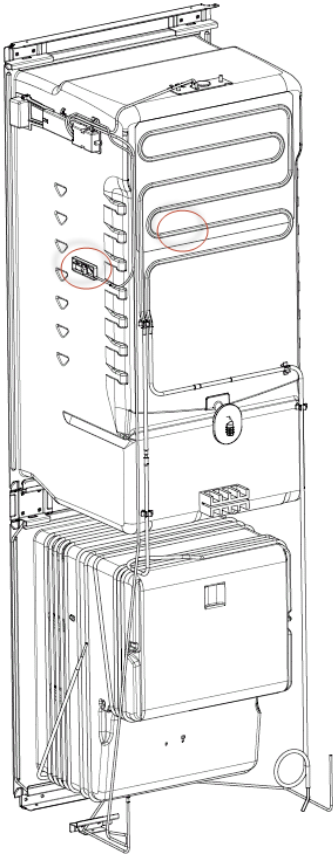
POSITION 7



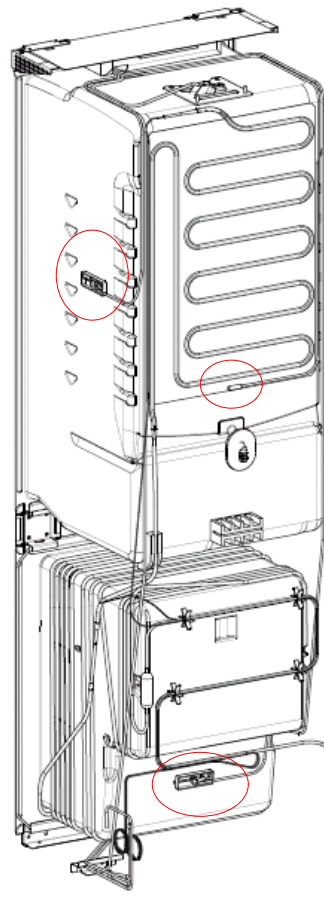
- 9235850-17804SDoD
- 9235830-17804SSD

[Back to PNC table](#)

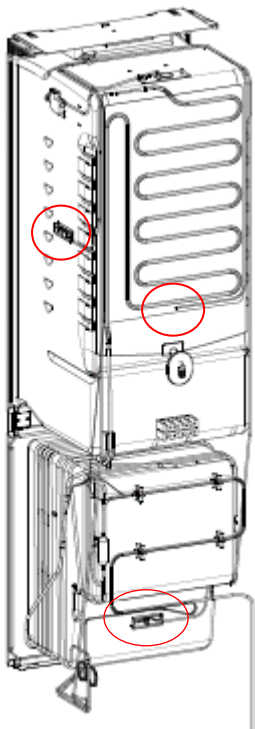
POSITION 8



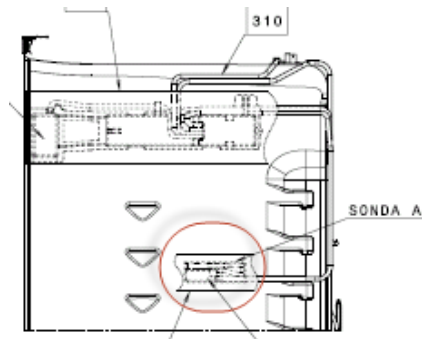
• 9255120-1780CBD0D



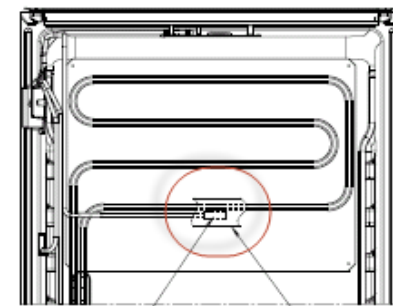
• 9255110-1780CBVD0D



• 9255000 - 1780CBVSD

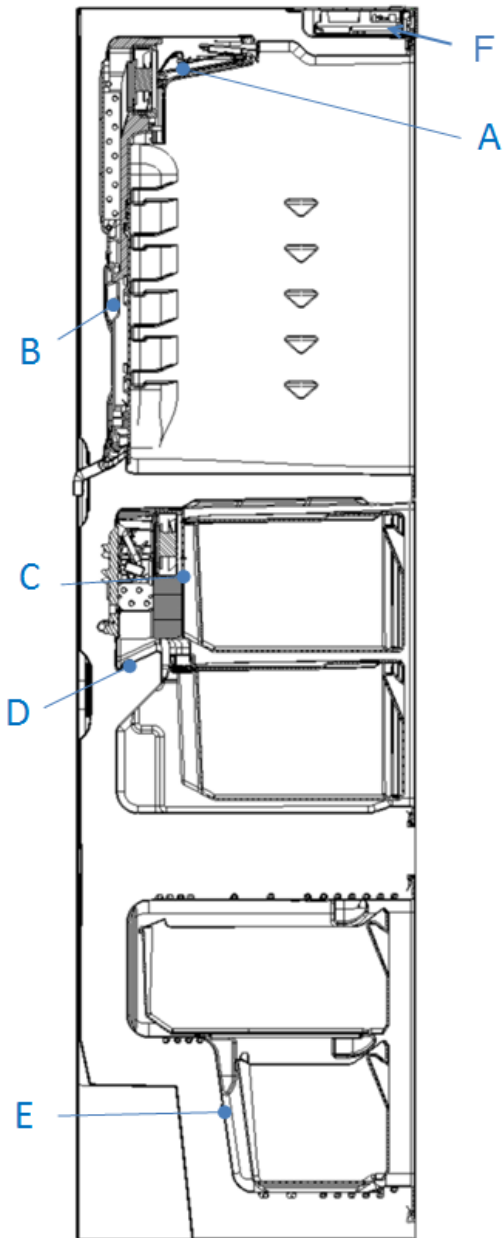


• 9255150 - 1780CB50SD



[Back to PNC table](#)

POSITION 9

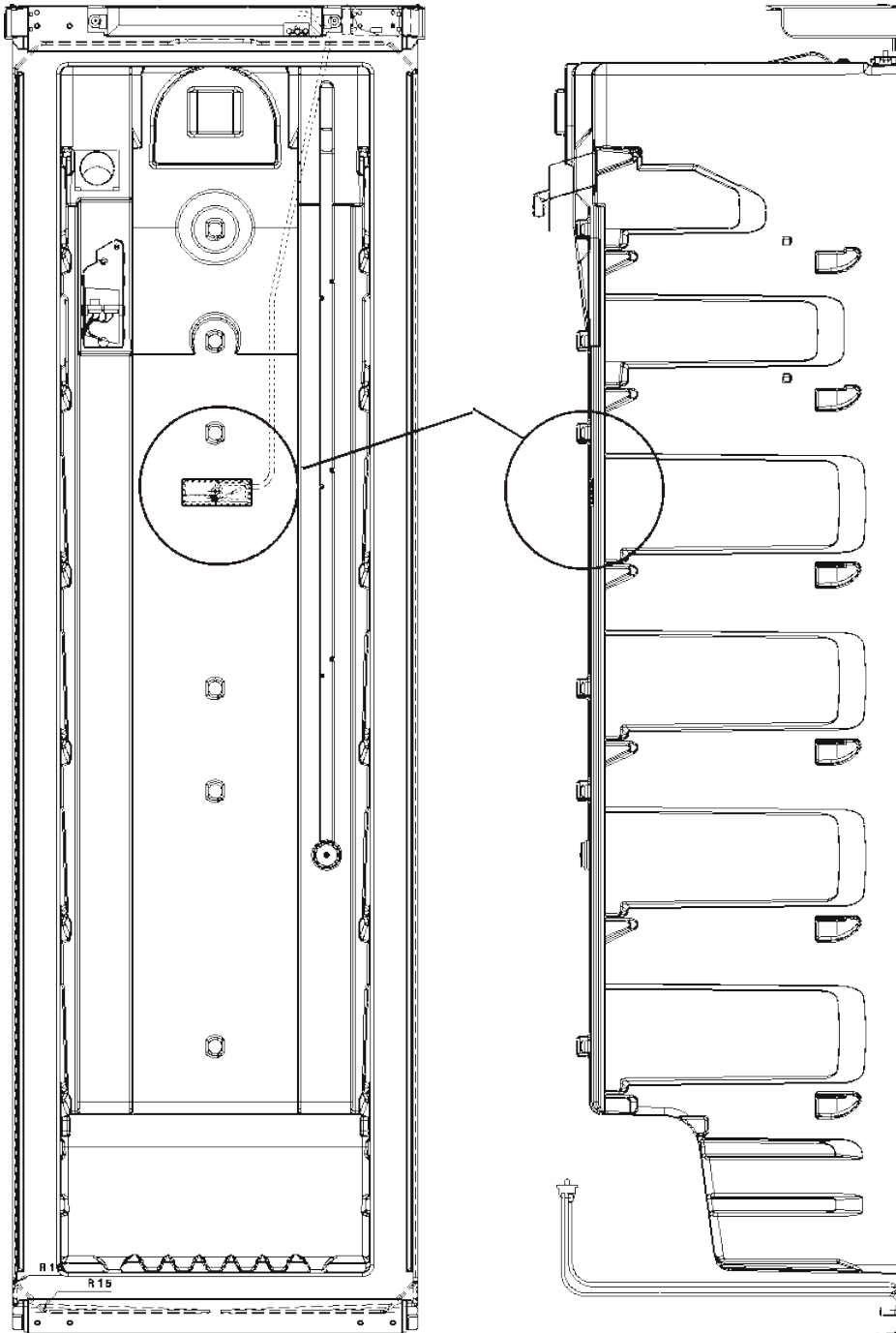


- A: Refrigerator air sensor on the fan carter/cover
- B: Refrigerator evaporator on the water draining area (not replaceable)
- C: Zero-degree air sensor on the EPS fan support
- D: Zero-degree evaporator on the water draining area (not replaceable)
- E: Freezer sensor on the rear side bottom drawer
- F: Ambient sensor on the display board

- 9255140 - 1780CBZDoD

[Back to PNC table](#)

POSITION 10



- 9227380 - FZ220FFSBS
- 9227820 - 1780FZFFSD
- 9227830 - 1780FZFFWD
- 9227840 - 1780FZFFDoD

[Back to PNC table](#)

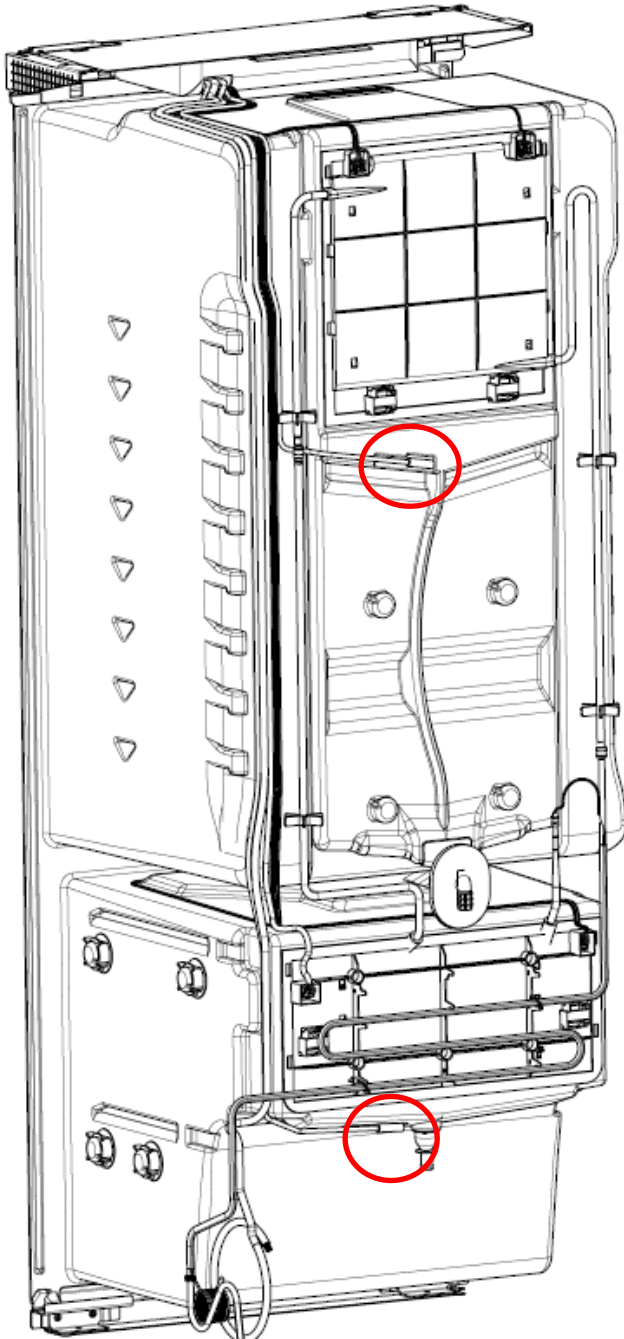
POSITION 11



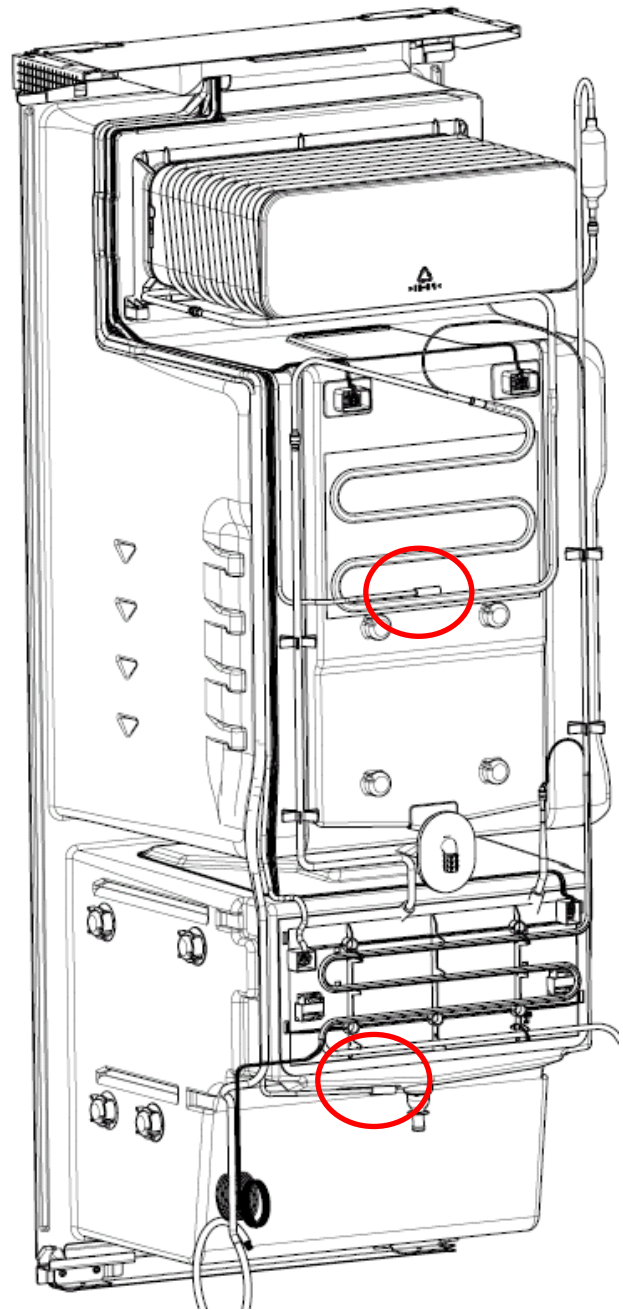
- 9237610 – 190 Cooler BI DoD
- 923771 - 175*****BIDoD
- 923781 - 215*****BIDoD

[Back to PNC table](#)

POSITION 12



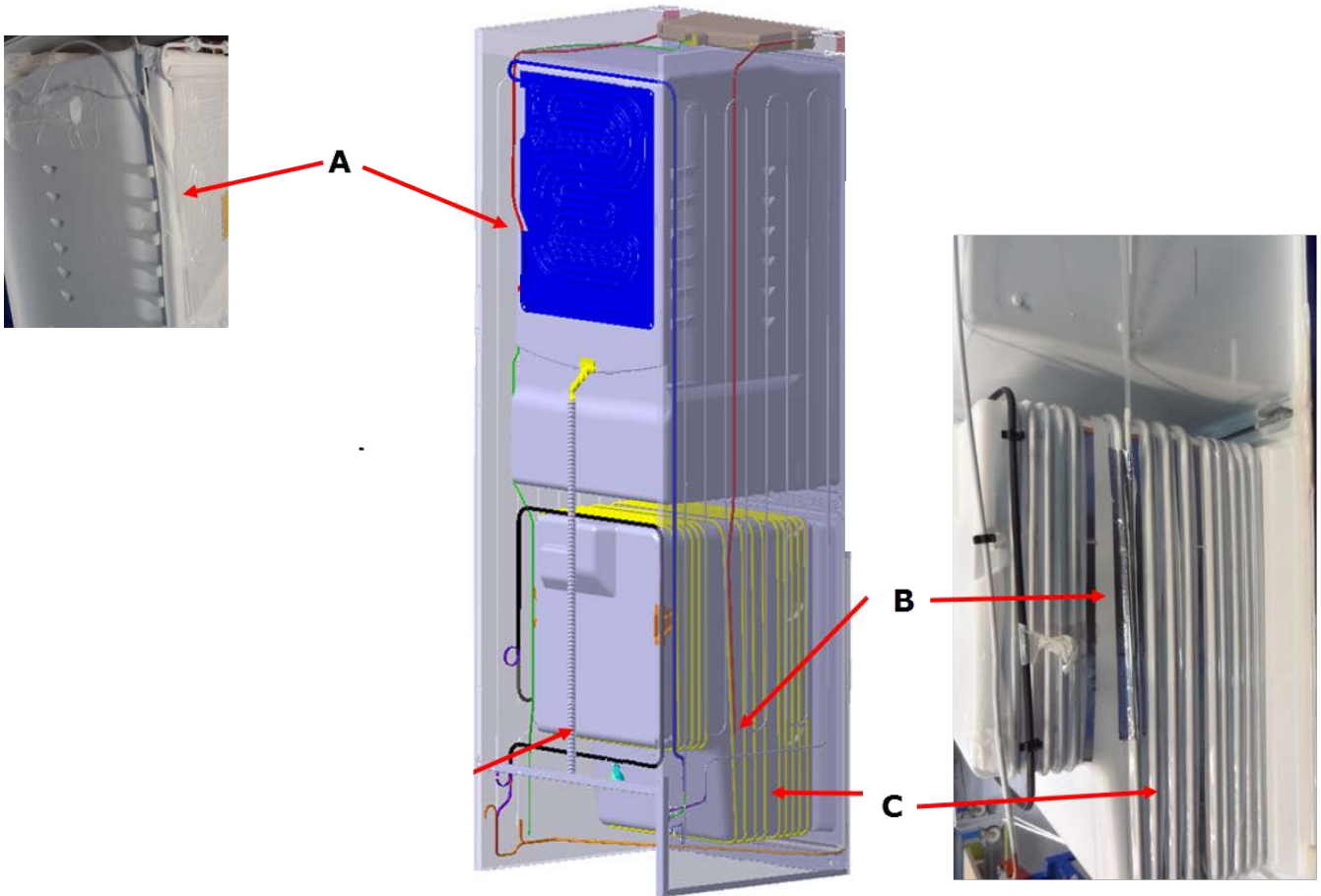
- 9237940 - 1400RFZDoD



- 9237950 - 14004SZDoD

[Back to PNC table](#)

POSITION 13

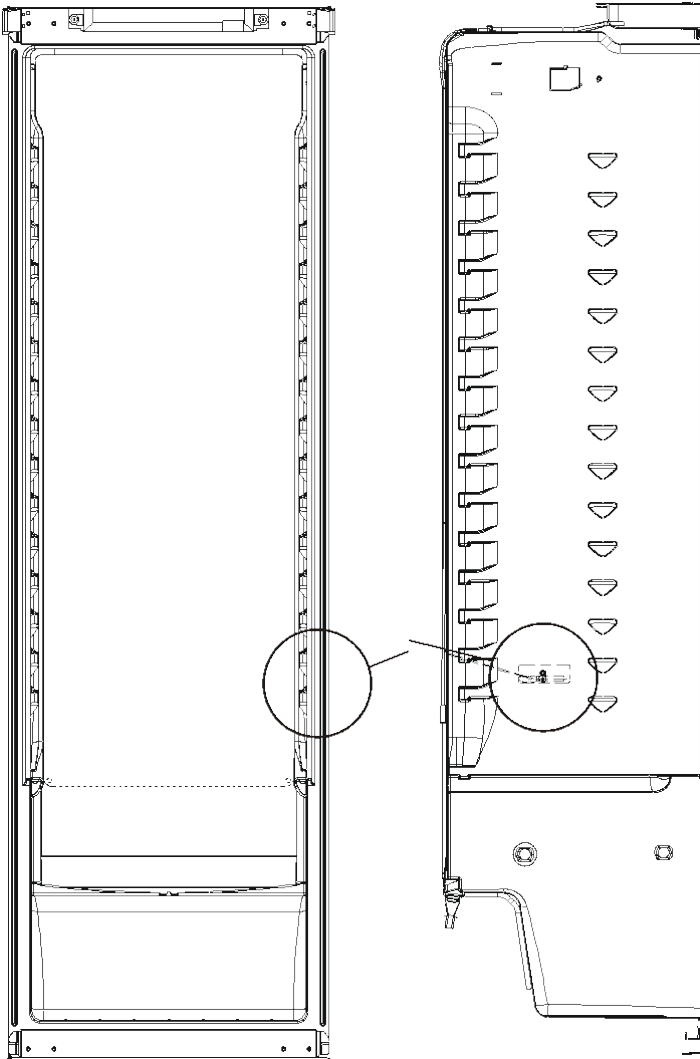


- A: Refrigerator air sensor
- B: Freezer air sensor
- C: Wrap around evaporator

- 92505385- CBZ340EV

[Back to PNC table](#)

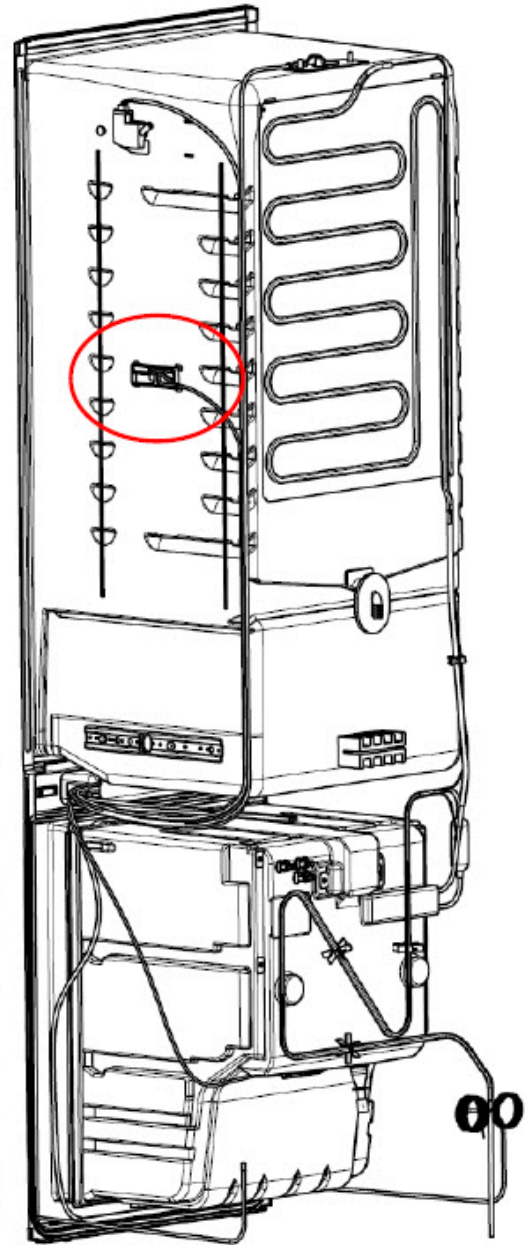
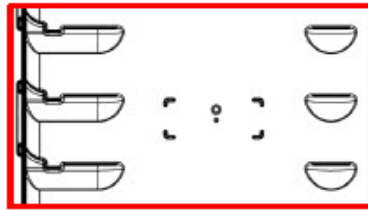
POSITION 14



- 923581 - 1780RFSD
- 923582 - 1780RFWD
- 923584 - 1780RFD0D
- 923817 - RF323SBS

[Back to PNC table](#)

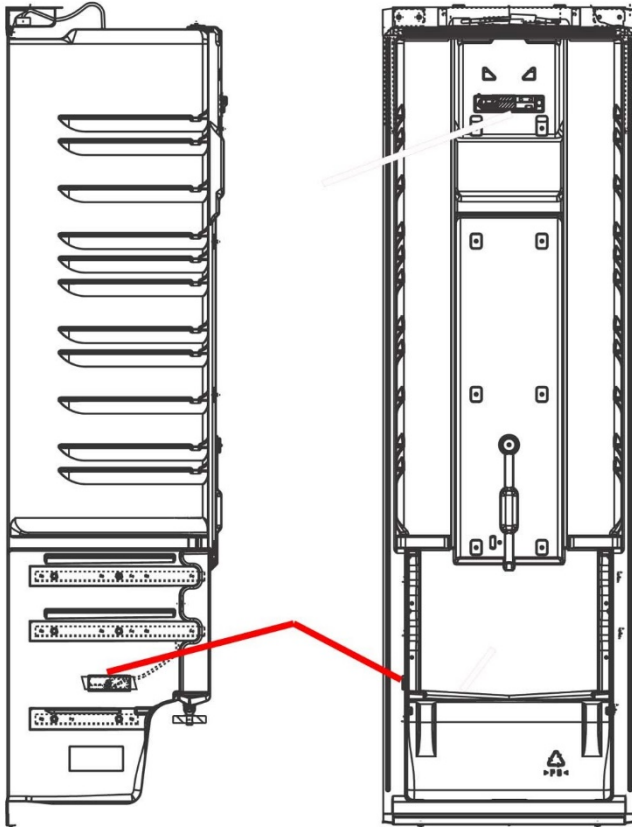
POSITION 15



- 925582 - 1850CBFFSD

[Back to PNC table](#)

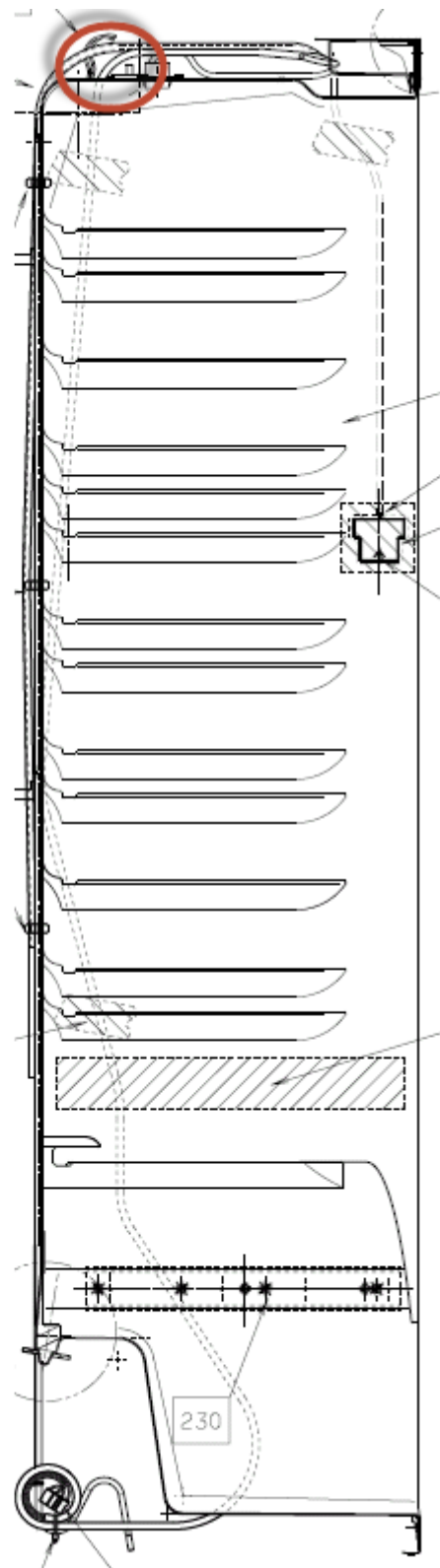
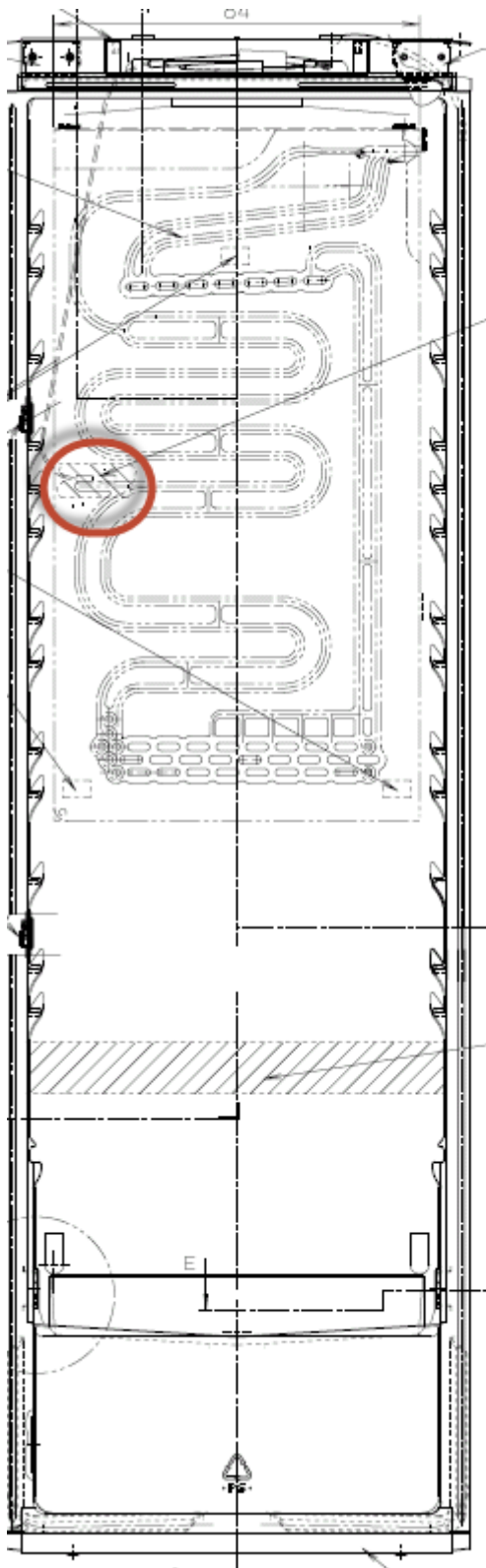
POSITION 16



- 923748 - 195 0° ****BIDoD
- 923812 - 310 0° CoolerBIDoD
- 9238210 – 210 0° CoolerBIDoD

[Back to PNC table](#)

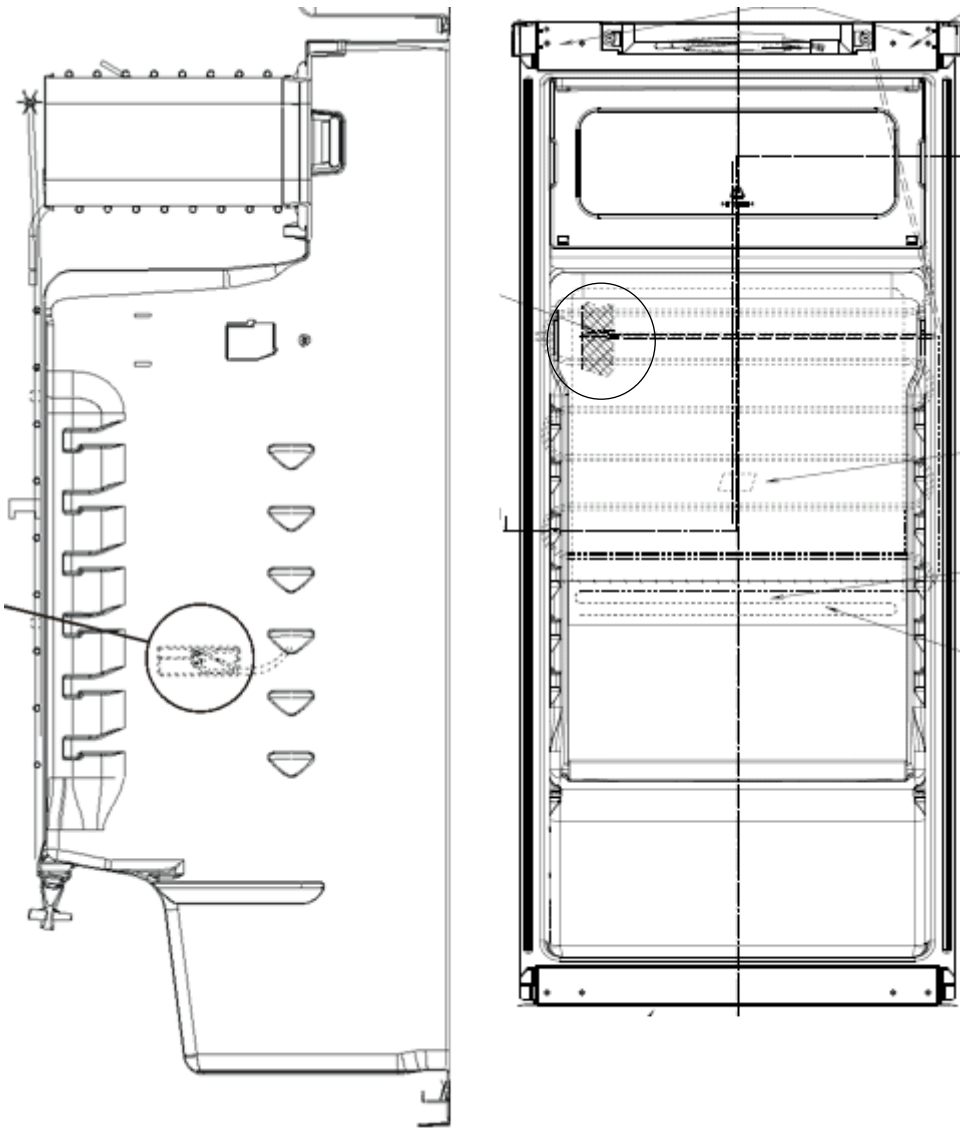
POSITION 17



- 923802 - 330WineCellarBIGWD

[Back to PNC table](#)

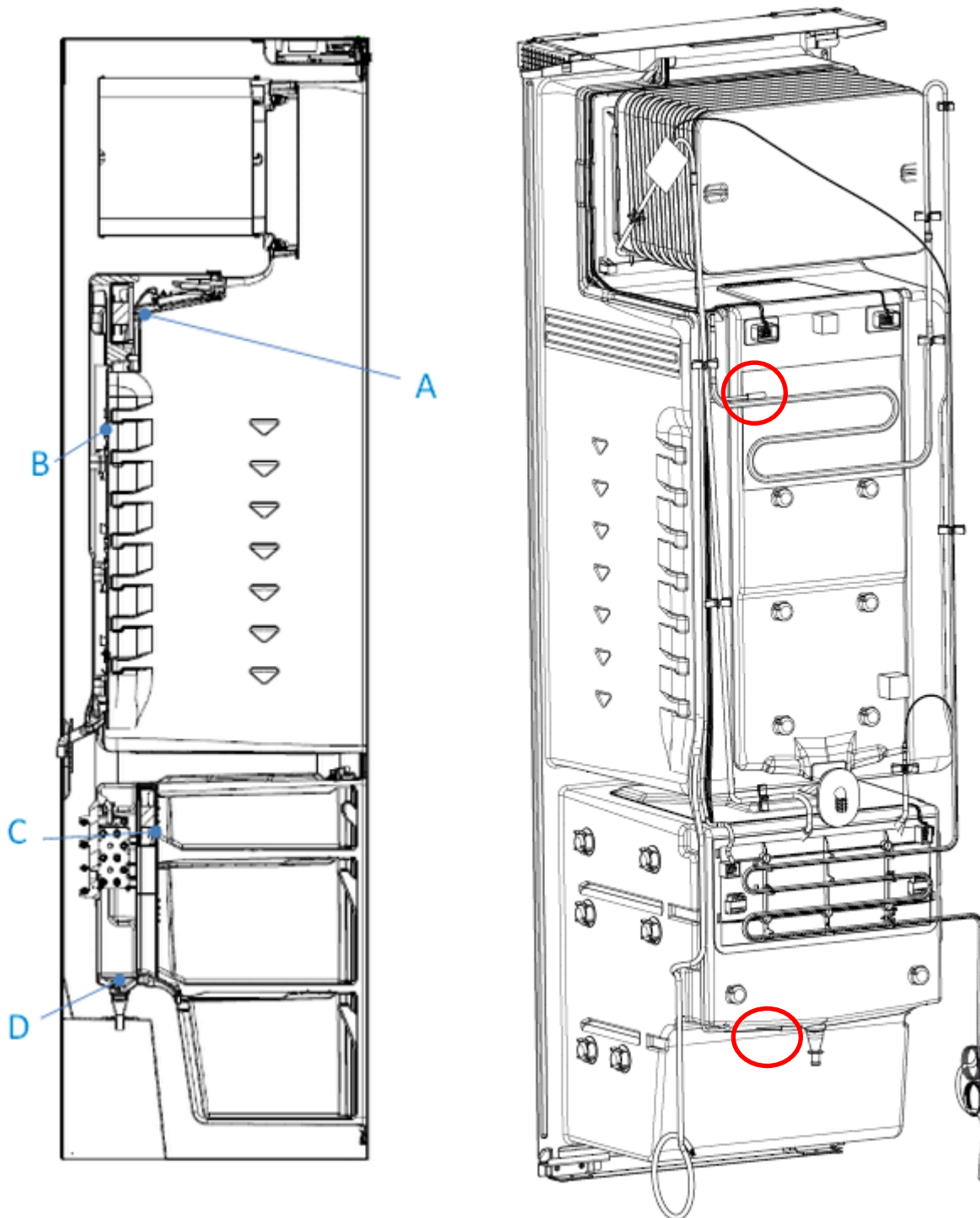
POSITION 18



- 9237760, 9330333 - 12254SDoD
- 9238860 - 12254SSD

[Back to PNC table](#)

POSITION 19



- A: Refrigerator air sensor
- B: Refrigerator evaporator (not replaceable)
- C: Zero degree air sensor
- D: Zero degree evaporator (not replaceable)

- 9235870 - 17804SZDoD

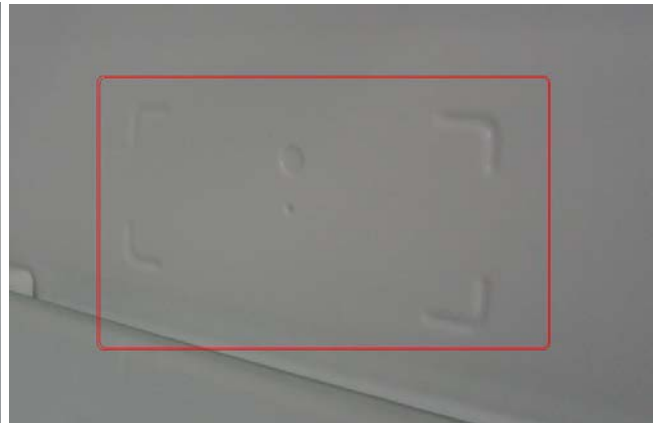
[Back to PNC table](#)

POSITION 20

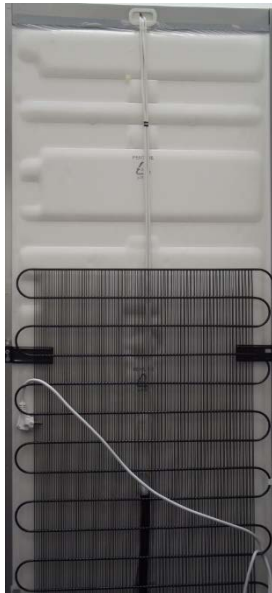
Probe position in the freezer



Probe position in the refrigerator



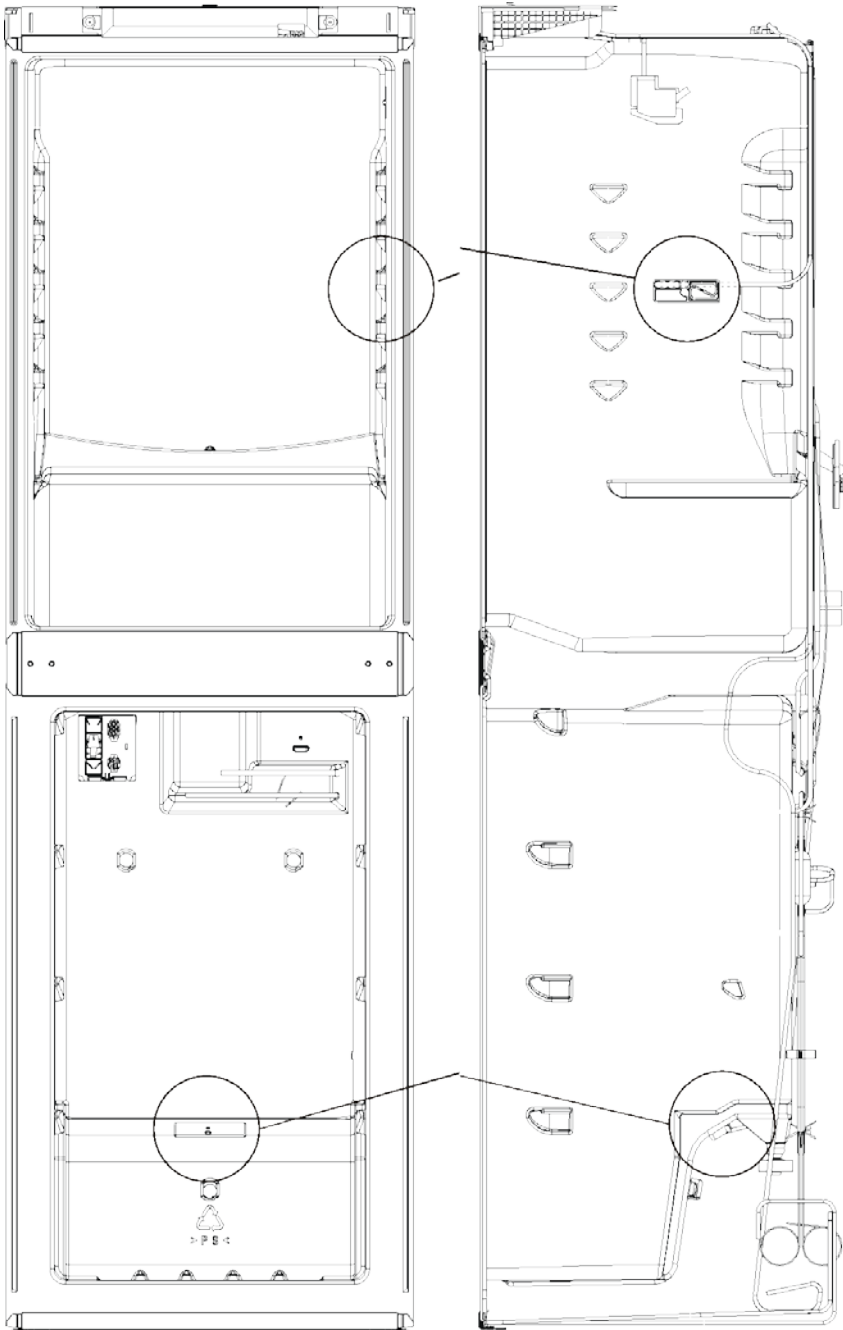
Probe position on the refrigerator evaporator (not replaceable)



- 9250338 - CBFF380
- 9250339 - CBSD380
- 9250345, 9250346, 9250337 - CBFF340

[Back to PNC table](#)

POSITION 21



- 9258170 - CB269FFSBS

[Back to PNC table](#)

POSITION 22



- 9250540 - CBZF310
- 9250542, 9250543 - CBZF340
- 9250544 - CBZF345
- 9250546, 9250547 - CBZF380

[Back to PNC table](#)

POSITION 23



- 9250411 - Fz220

[Back to PNC table](#)

POSITION 24



- 9250414 - FzFF200
- 9250527, 9250528 - FzFF250

[Back to PNC table](#)

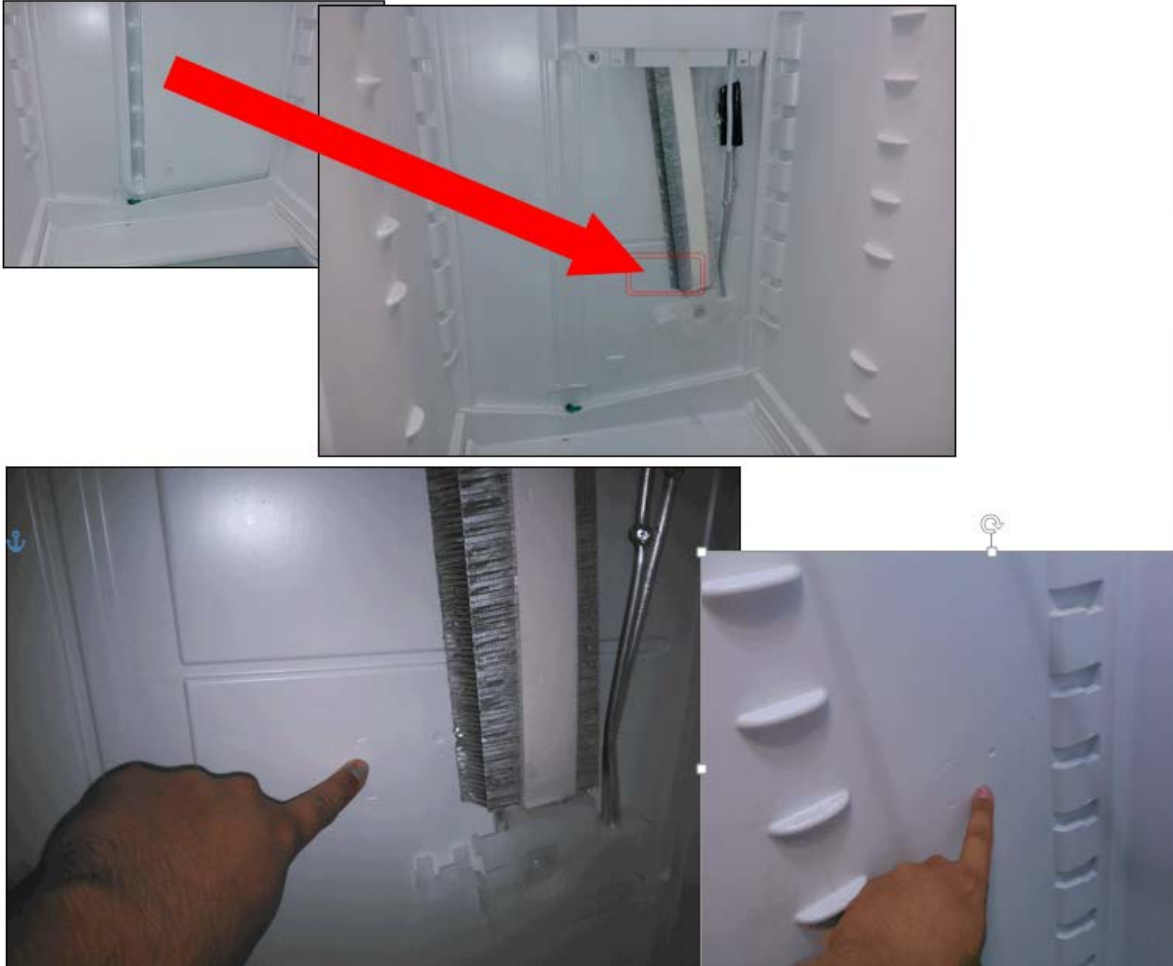
POSITION 25



- 9250417 - RF330
- 9250520, 9250521 - RF400

[Back to PNC table](#)

POSITION 26



- 9250522 - RF400DME

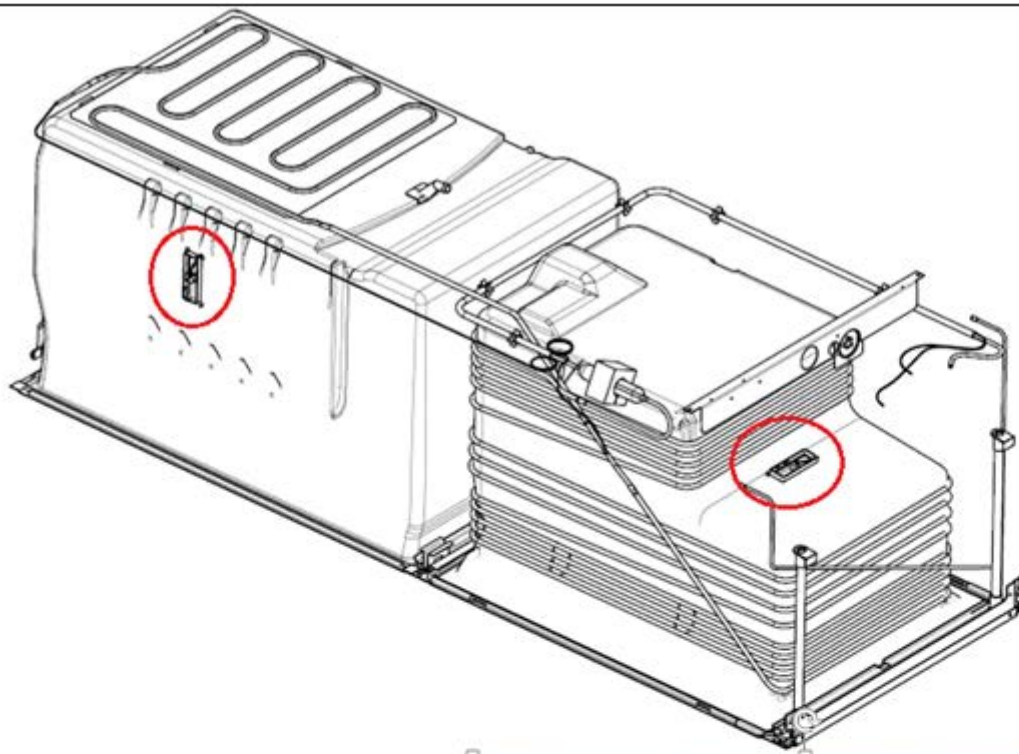
[Back to PNC table](#)

POSITION 27



- 92505336 - CBM340
- 9250548 - CBMF340
- 9250549 - CBMF380
- 9250550 - CBMS340
- 9250551, 9250552, 9250710 - CBMS380

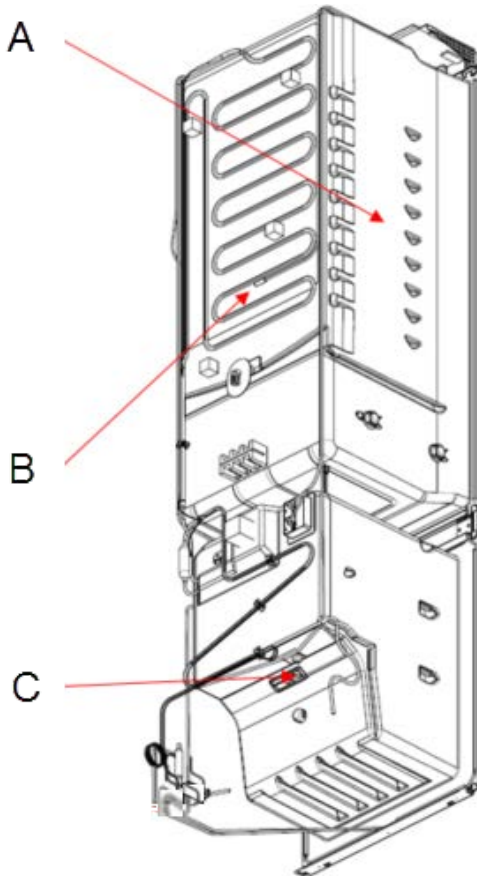
[Back to PNC table](#)



- 92505380, 92505381 - CBZ310EV

[Back to PNC table](#)

POSITION 29

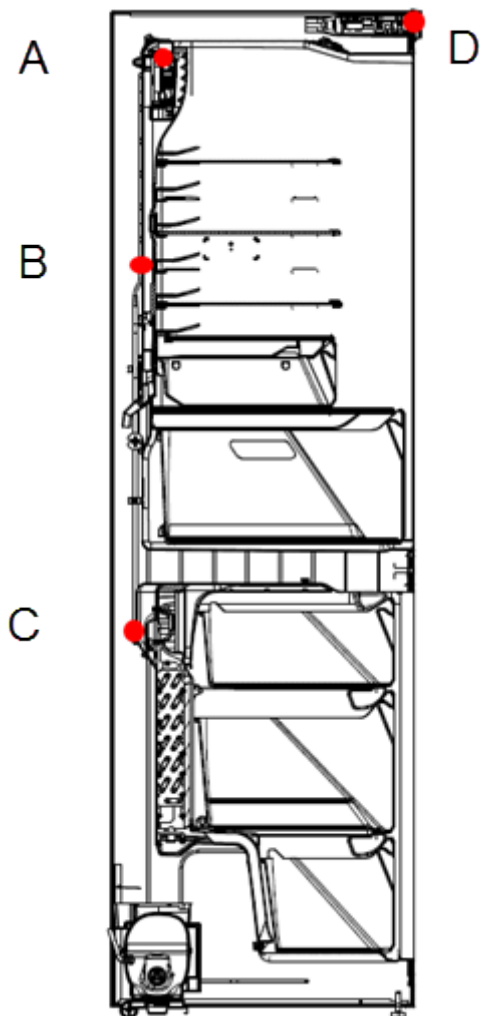


- A: Refrigerator air sensor
- B: Evaporator sensor (not replaceable)
- C: Freezer air sensor

- 9255610 - 1900CBFFVSD

[Back to PNC table](#)

POSITION 30

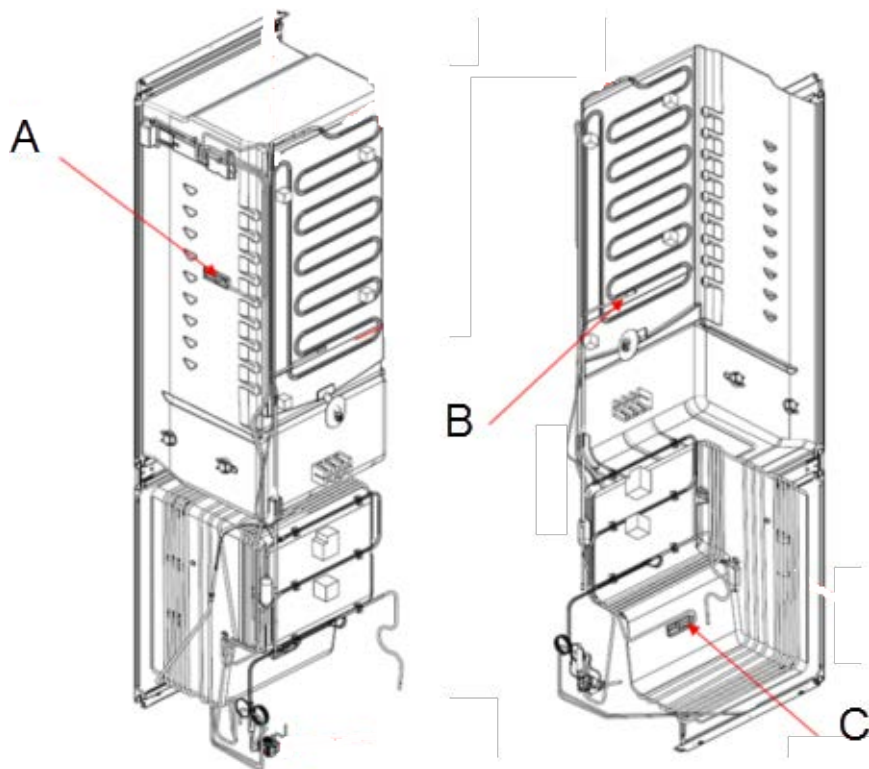


- A: Refrigerator air sensor (placed on the fan carter/cover)
- B: Refrigerator evaporator (not replaceable)
- C: Clixtons controlling defrost: On/off heater switch and Temperature safety
- D: Ambient sensor on the electronic board

- 9250707 - CBZS340
- 9250709 - CBZS380

[Back to PNC table](#)

POSITION 31



- A: Refrigerator air sensor
 - B: Evaporator air sensor
 - C: Freezer air sensor
-
- 9255600 - 1900CBSD

[Back to PNC table](#)

POSITION 32

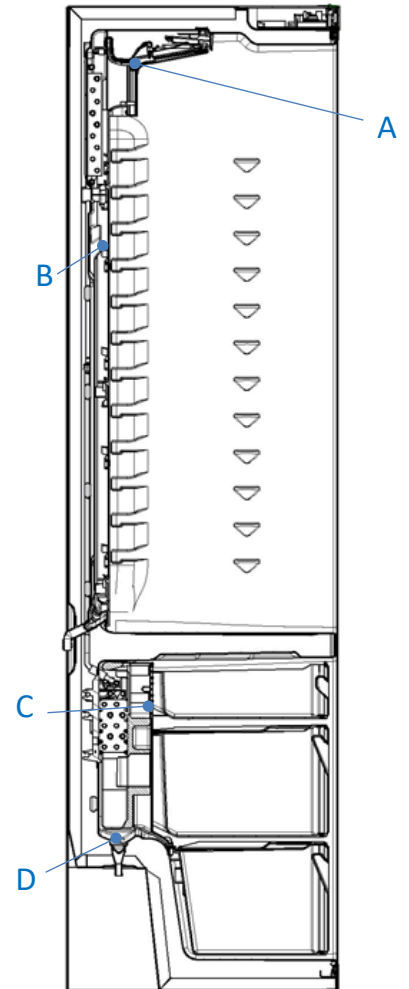


- 9250529 - FzFF280

[Back to PNC table](#)

POSITION 33

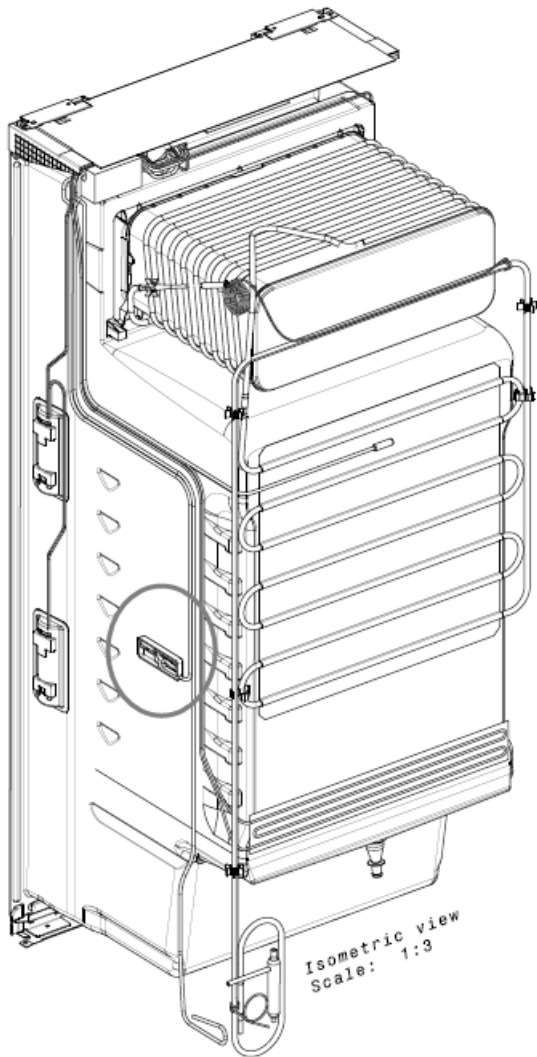
- A: Refrigerator air sensor
- B: Refrigerator evaporator (not replaceable)
- C: Zero-degree air sensor
- D: Zero-degree evaporator (not replaceable)



- 9235860 - 1780RFZDoD

[Back to PNC table](#)

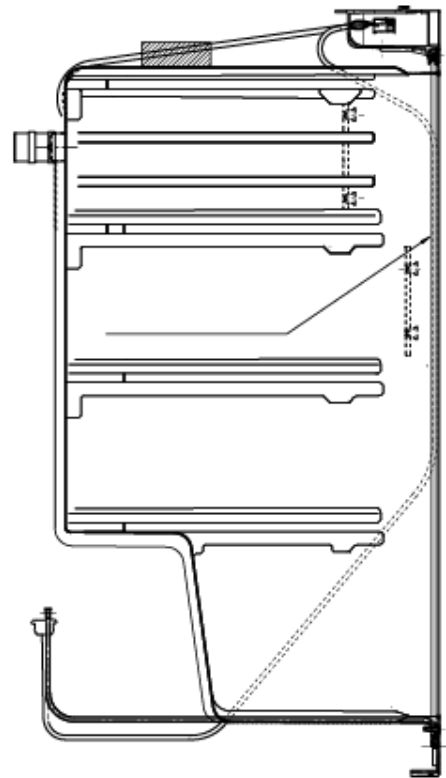
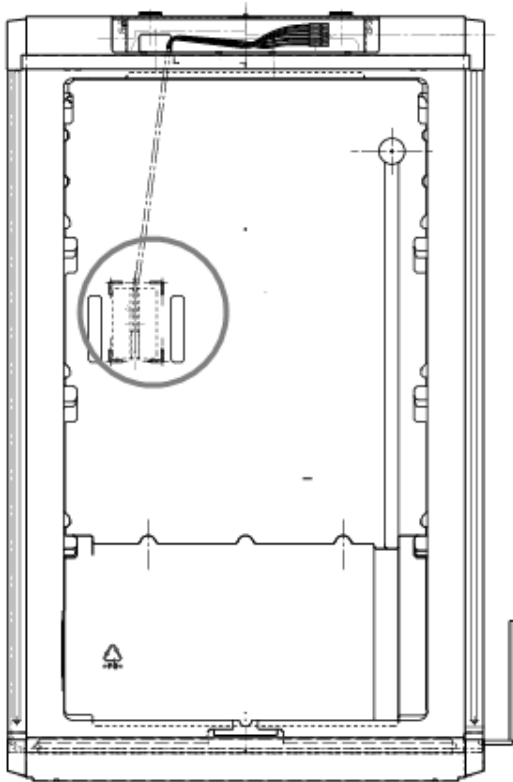
POSITION 34



- 9330342 - 10/6-4SDoD
- 9330343 - 10/6-4SWD

[Back to PNC table](#)

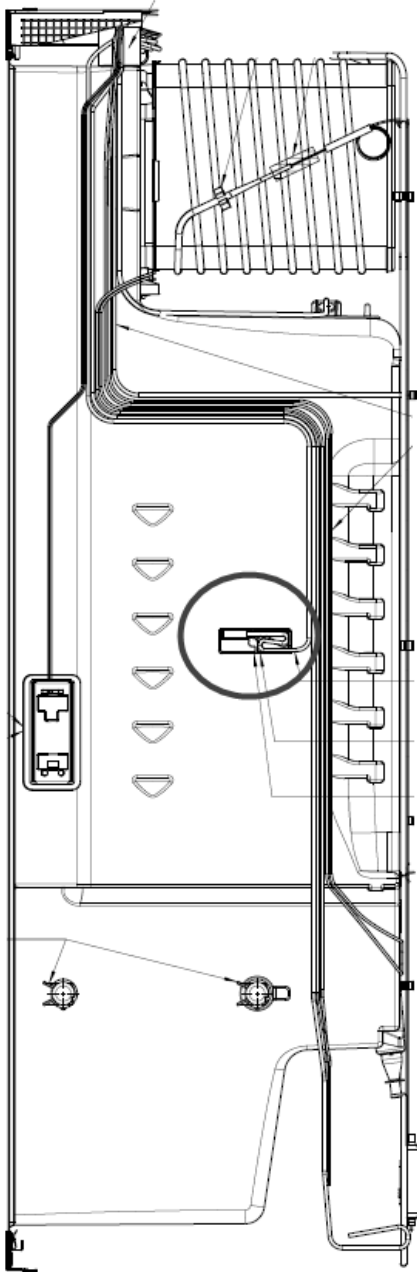
POSITION 35



- 9227650- 110 Freezer BI SD

[Back to PNC table](#)

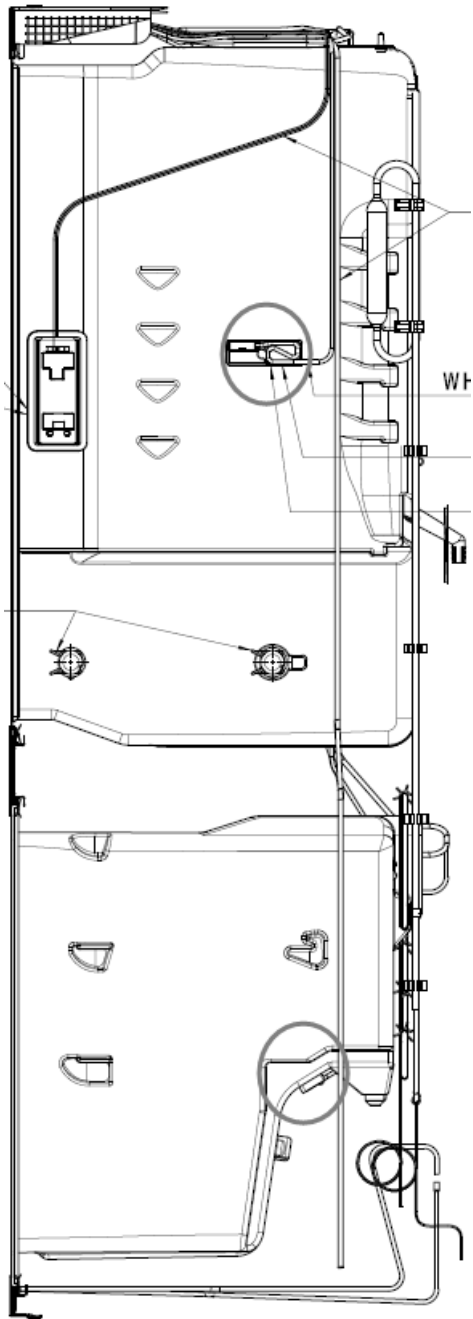
POSITION 36



- 9330344 - 12/6-4SDoD
- 9330345 - 12/6-4SWD

[Back to PNC table](#)

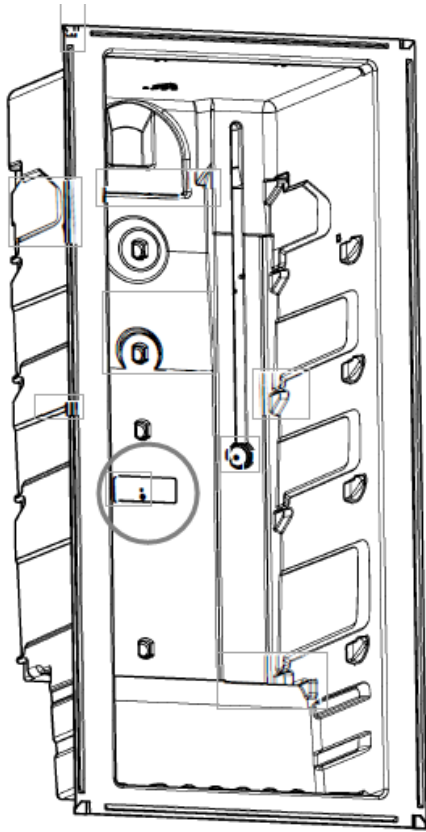
POSITION 37



- 9330346 - 12/6-CBFFVDoD
- 9330347 - 12/6-CBFFVWD

[Back to PNC table](#)

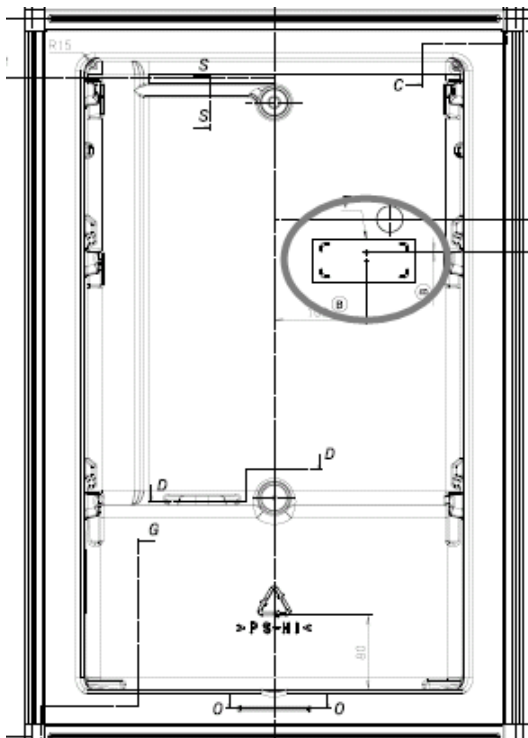
POSITION 38



- 9330334 - 1225FZFFDoD

[Back to PNC table](#)

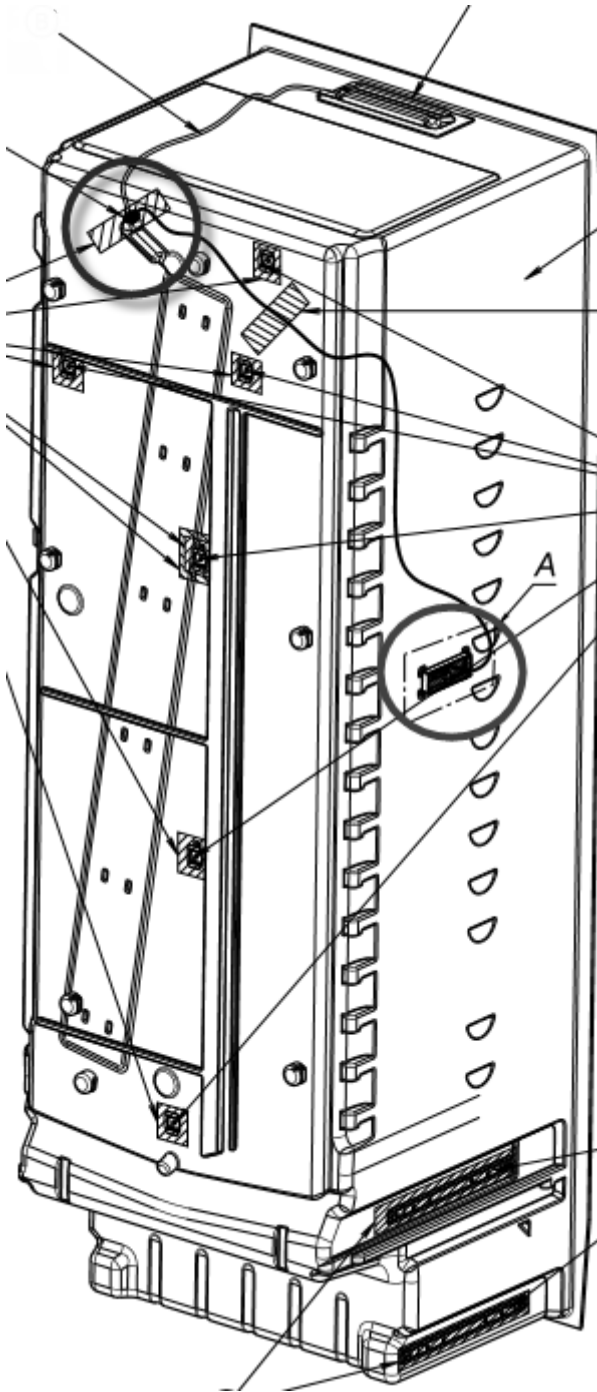
POSITION 39



- 9330148 - TT110FMX

[Back to PNC table](#)

POSITION 40



- 92715 - RF375DME

PNCs before 20141001 not foamed in. See spare part lists for more information.

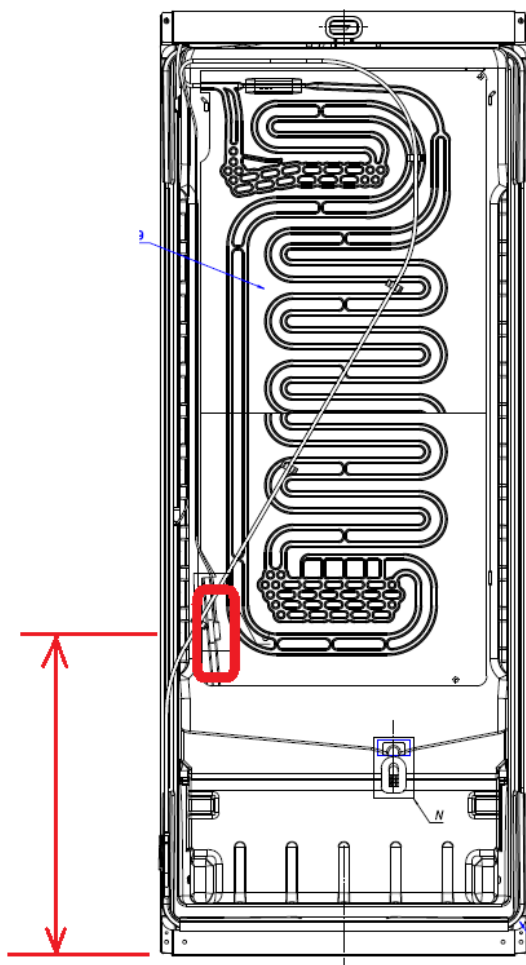
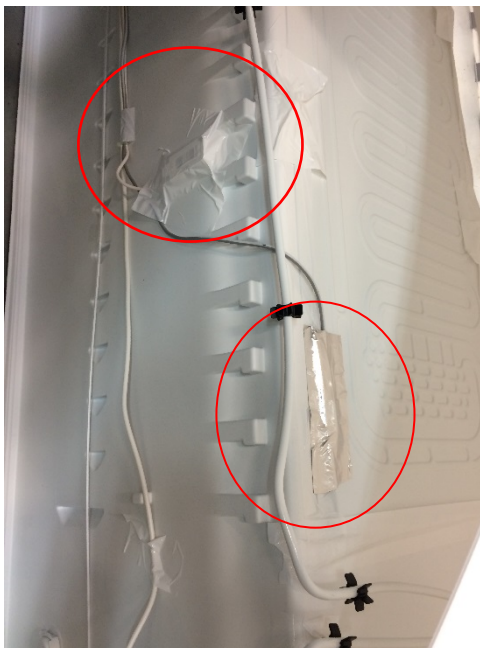
[Back to PNC table](#)

Position 41



Right hand side

Evaporator - electrical control 2 NTCs



On the evaporator - 600mm

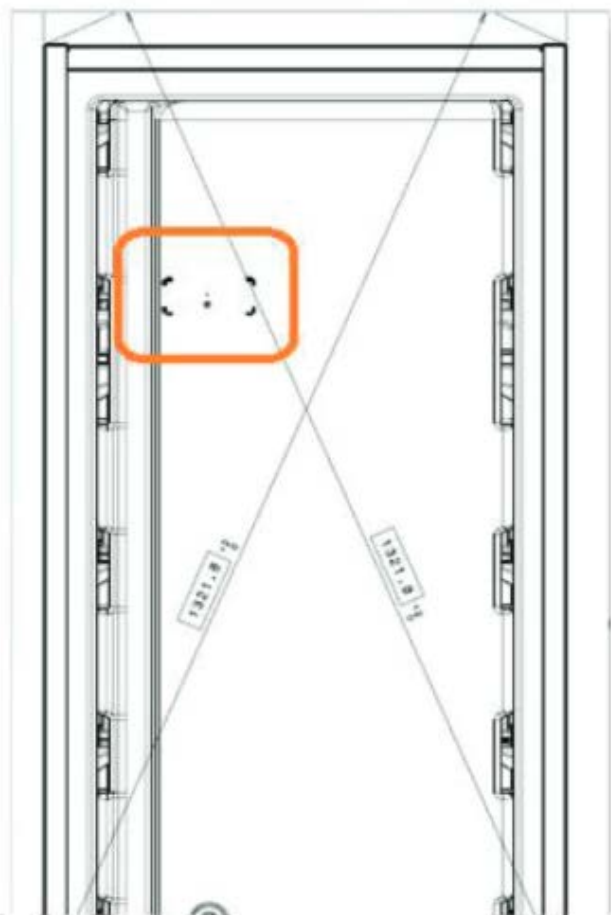
Evaporator - Mechanical



- 9250704 - RF360
- 9250706 - RF360DME

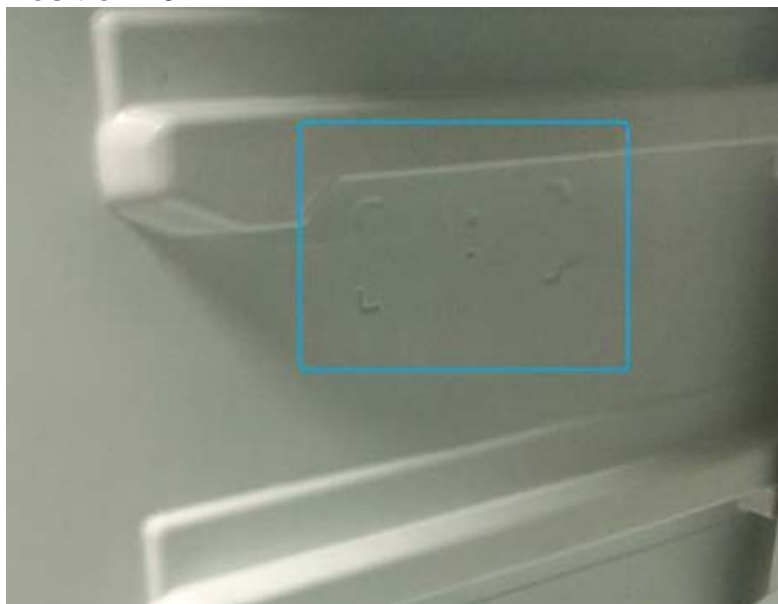
[Back to PNC table](#)

Position 42



- 9330134 - FZ190

Position 43



- 9330146 - TT100FF

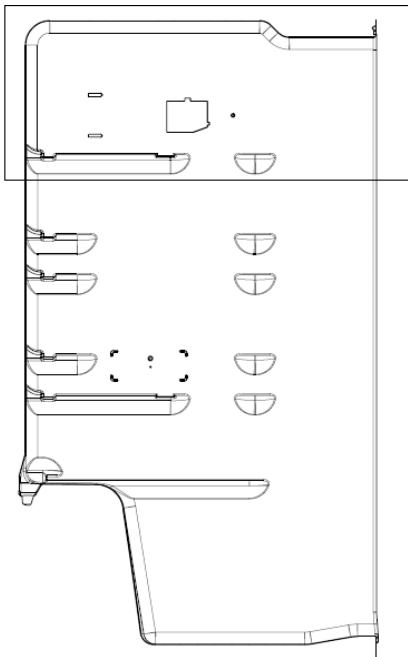
[Back to PNC table](#)

POSITION 44



- 9330336 - 880FZDOD
- 9330337 - 880FZSD

POSITION 45



- 933019 - 880RFD0D

[Back to PNC table](#)

POSITION 46



- 9330200 - 8804SDoD
- 9330205 - 8804SDoD

[Back to PNC table](#)

POSITION 47



- 9330348 - 13/6-CBFFVDoD
- 9330349 - 14/6-CBFFVDoD

[Back to PNC table](#)

POSITION 48



- 9330351 - 14/6-4SDoD

[Back to PNC table](#)

POSITION 49

Air sensor



Air sensor



Evaporator sensor



- 9330339 -6/6-4SWD
- 9330340 - 7/6-4SDoD
- 9330341 - 7/6-4SWD

[Back to PNC table](#)

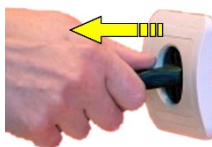
Ambient sensor








Instructions for replacing the NTC sensor

Needed tools and equipment: Kit B (50292181000), Drill 10 mm, Pliers, 3M Scotchlok UY2

Unplug the appliance before carrying out the operations and use appropriate protection.



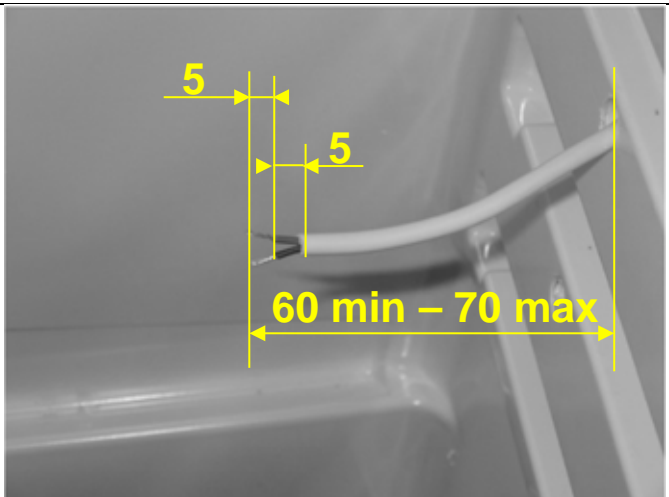
Remove the drawers and/or the shelves from the appliance.

<p>EXAMPLE OF INDENTATION</p>  <p>cd001463</p> <p>1. Identify the indentation on the compartment wall (see example above).</p>	 <p>cd001464</p> <p>2. Drill a 10 mm hole in the compartment just next to the indentation.</p>
	<p><i>The exact location is detailed in PNC table</i></p>
 <p>cd001466</p> <p>3. Grip the cable with some pliers.</p>	 <p>cd001465</p> <p>4. Cut the cable of the faulty temperature sensor.</p>



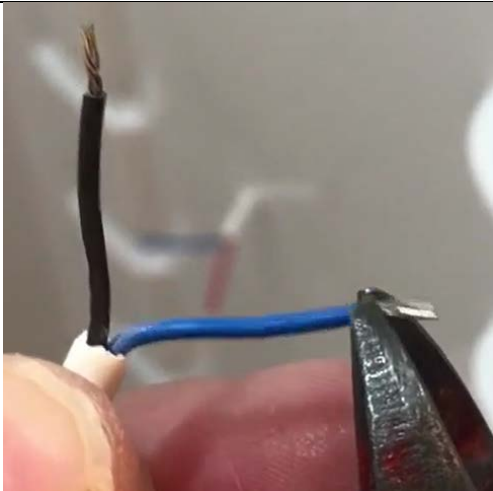
cd001467

5. Pull out the cable of the temperature sensor. Do not remove the faulty sensor.



cd001469

6. Cut and remove the sleeve according to the measures shown in the figure.



7. Cut the cable of the new temperature sensor.



8. Insert the new temperature sensor cable into a scotchlok



9. Join the old and new temperature sensor cables using the scotchlok



10. Secure the cables using pliers.



11. Join the other temperature sensor cables in the same way.



12. Fit the new sensor in the cover of the housing and fit the cable as shown in the figure.



cd001477

13. Fit the cover in the rectangular seat in the compartment and secure it with the screw supplied in the kit.

14. If there is no seat, place the cover so that it does not interfere with the drawers and/or with the shelves)



cd001478

15. Fit the screw cover.

REVISION:

Revision	Date	Description	Author	Approved by - on
00	10/2018	Document Creation	Anna Grimlund	
01	02/2019	New instructions for kit B and added sensor positions	Anna Grimlund	
02	04/2019	Added more sensor positions	Anna Grimlund	
03	05/2019	Added more sensor positions	Anna Grimlund	
04	06/2019	Corrected positions for base models 820FZ and added 80FZBIDoD to pos 1	Anna Grimlund	

05	08/2019	Added positions for 6/6-4SWD, 7/6-4SDoD, 7/6-4SWD, CBM340, RF360DME	Anna Grimlund	
----	---------	---	---------------	--