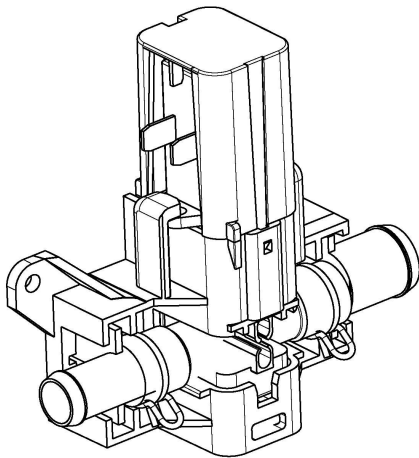




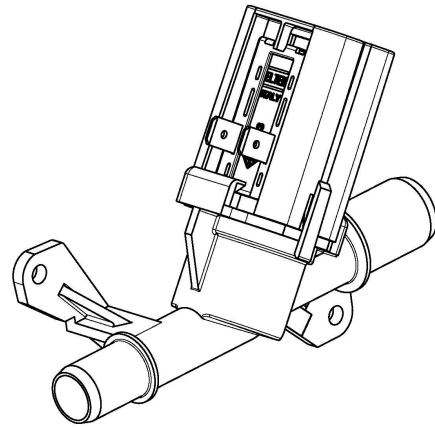
Exchange of descaling actuator and inlet valve

DESCRIPTION:

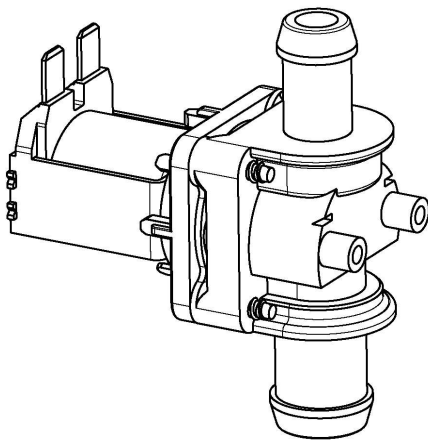
In steam ovens, construction of descaling actuator and inlet valve has been modified. In the result old solution is not fully compatible with the new one.



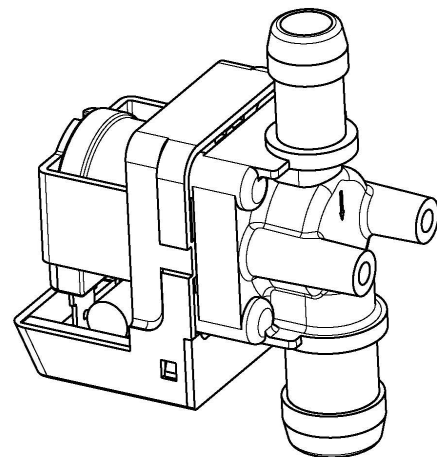
Old type of descaling actuator



New type of descaling actuator



Old type of inlet valve

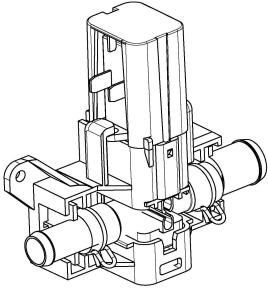


New type of inlet valve

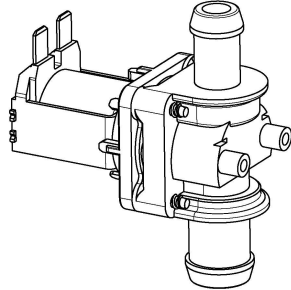
SOLUTION:

Way of repair depends on type of steam module used in appliances. Below 3 combinations which are used in steam ovens.

1st COMBINATION



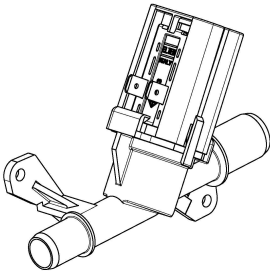
Old type of descaling actuator - 8078073015



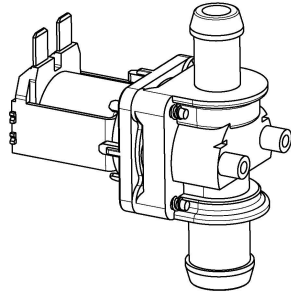
Old type of inlet valve - 8078969014

Type of damaged part	Parts required to be ordered
8078073015	140056064029
8078969014	140056064029 + 140041004015

2nd COMBINATION



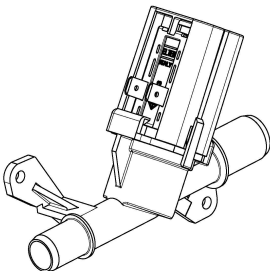
New type of descaling actuator - 140056064029



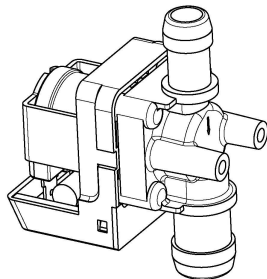
Old type of inlet valve - 8078969014

Type of damaged part	Parts required to be ordered
140056064029	140056064029
8078969014	140041004015

3rd COMBINATION



New type of descaling actuator - 140056064029



New type of inlet valve – 140041004015

Type of damaged part	Parts required to be ordered
140056064029	140056064029
140041004015	140041004015

MODELS INVOLVED:

The above way of repair is valid for all steam ovens which are equipped with old descaling actuator and old inlet valve.

REVISION:

Revision	Date	Description	Author	Approved by - on
00	09/2018	Document Creation	Ewelina Fidor	Aleksandra Tutak 2018-09-24 Luca Posca 2018-09-24