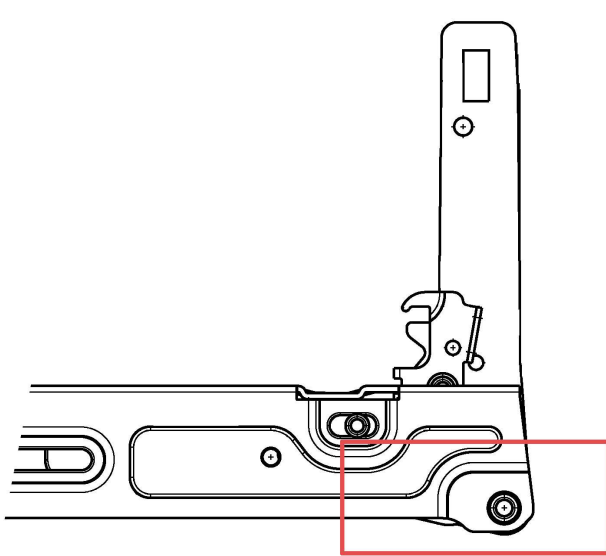




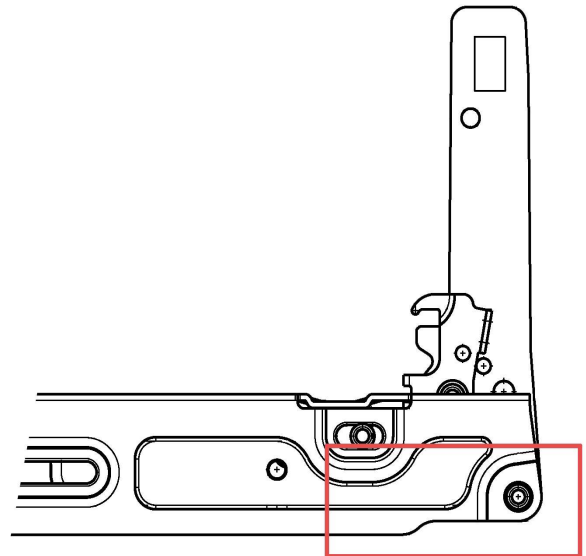
### Exchange of door hinges with new ones for Steam appliances

#### DESCRIPTION:

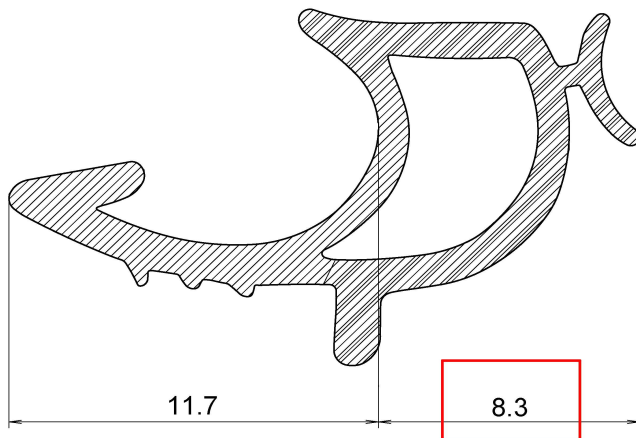
In steam ovens, construction of door hinges and door gasket has been modified. In the result hinge fulcrum has been moved and door gasket has been narrowed.



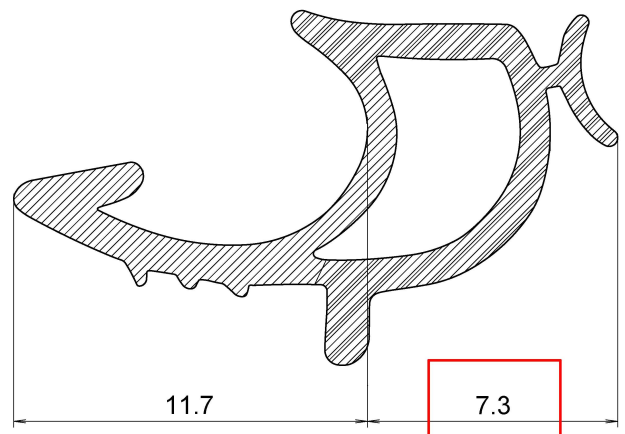
Old type of door hinge



New type of door hinge



Cross-section of old door gasket



Cross-section of new door gasket

**SOLUTION:**

To mount new door hinges in appliance which was equipped originally with old version of door hinges, it is required to order couple of new hinges and exchange door gasket additionally.

**SPARE PART NUMBER:**

Old hinge	New hinge
140004859025	140059166276
140004859033	140059166268
140004861013	140059166656
140004861021	140059166276
140004861047	140059166276
140055244010	140059167068
140004860015	140059167068
5611779033	140059167068
5611780130	140059166656
5611780031	140059166656

<b>New door gasket required to be ordered</b>	140035526015
---	--------------

**MODELS INVOLVED:**

The above way of repair is valid for all appliances, which are equipped with old door hinges.

**REVISION:**

Revision	Date	Description	Author	Approved by - on
01	10/2019	Solution updated	Ewelina Fidor	
00	05/2018	Document Creation	Ewelina Fidor	Bernd Heisswolf 2018-05-14