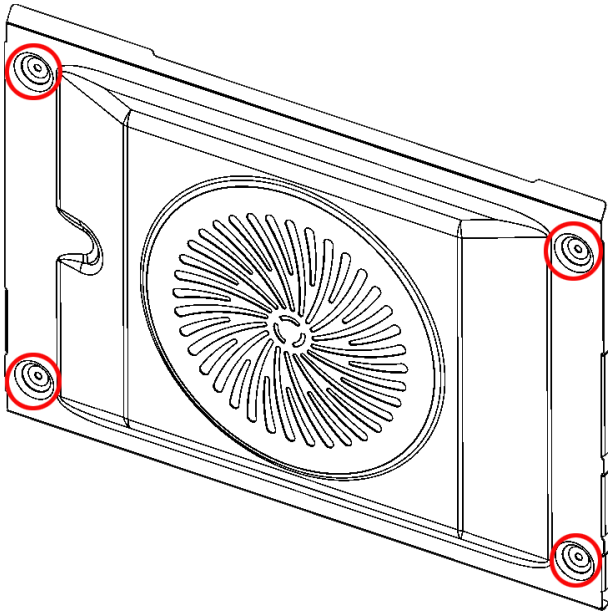




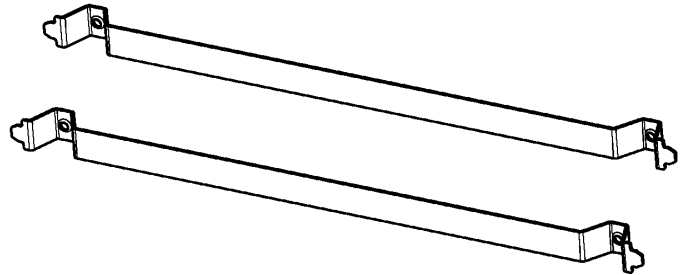
### Mounting of new fan cover with the use of fixing brackets

#### DESCRIPTION:

In non steam ovens, fan cover is mounted by screws which no longer hold to back of cavity. In order to eliminate the problem, it is required to fix fan cover using new screws and fixing brackets additionally.



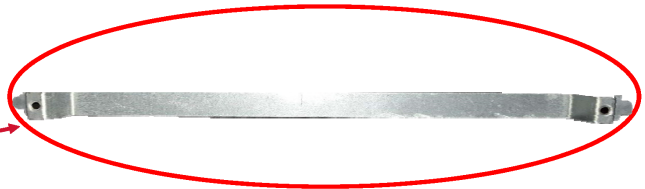
Mounting positions of screws

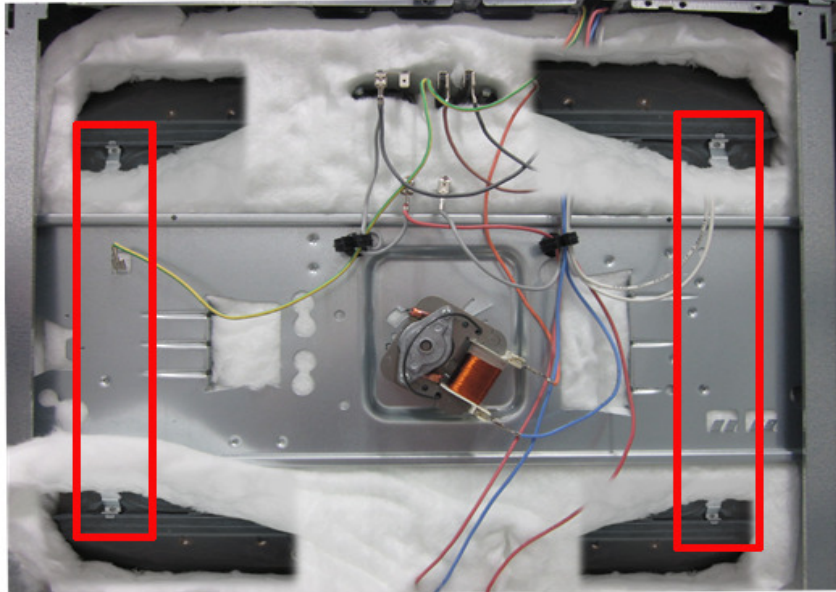


Fixing brackets

#### SOLUTION:

Use two fixing brackets to mount fan cover. The brackets have to be attached in vertical position under insulation on the backside of cavity with the use of new screws.





Mounting positions of fixing brackets

**SPARE PART NUMBER:**

Type of part	Spare part code	Description
Fixing bracket set	4055410163	Set containing 2 brackets
Screw pack	4055223277	Screw pack containing 4 screws

**MODELS INVOLVED:**

The above way of repair is valid for all non steam ovens produced in Rothenburg (DGT).

**REVISION:**

Revision	Date	Description	Author	Approved by - on
00	01/2018	Document Creation	Ewelina Fidor	Peter Lämmermann 2018-04-16