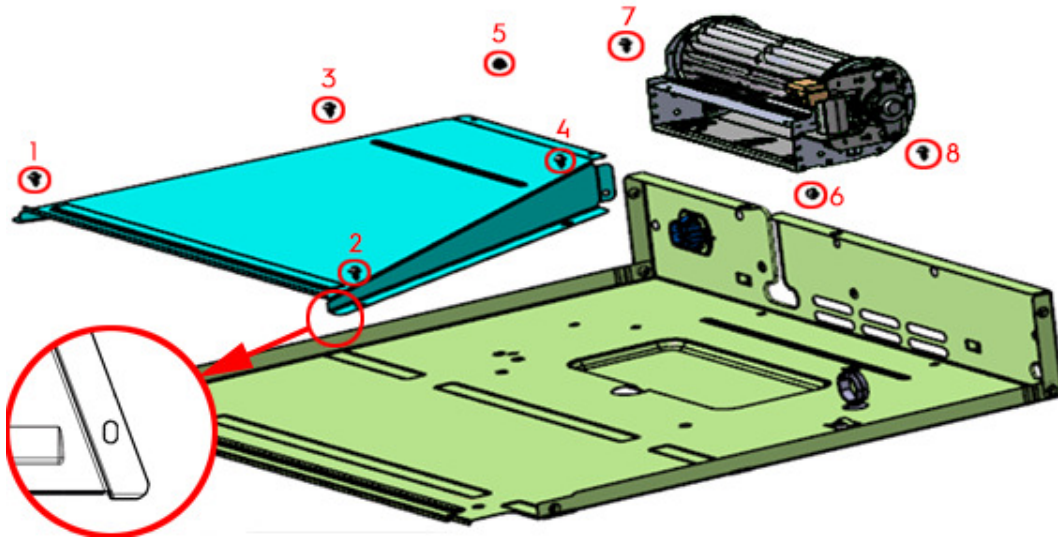




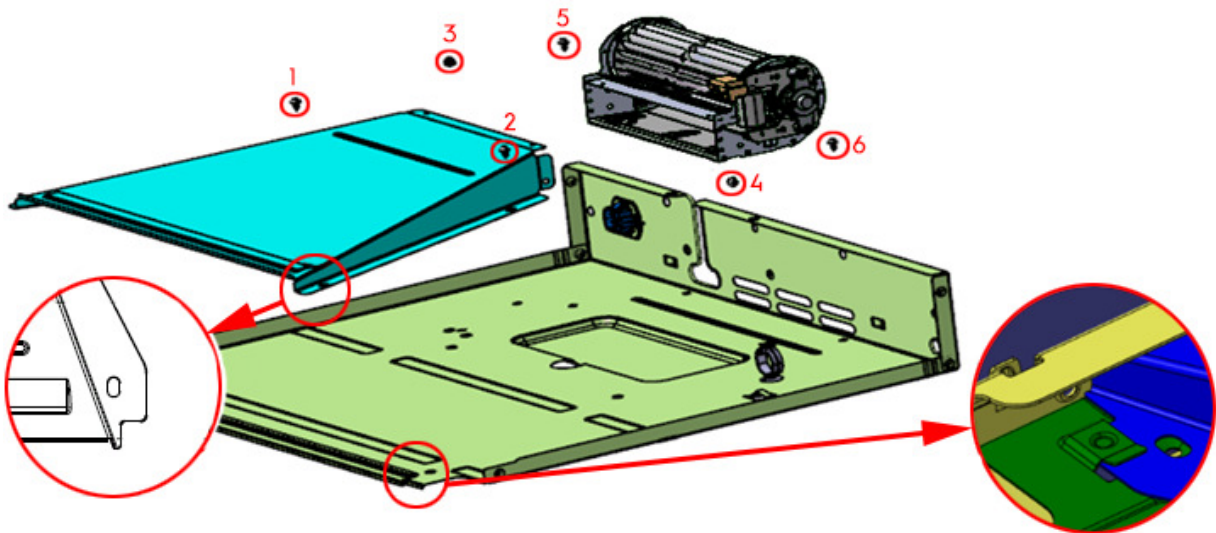
New mounting method for air channel

DESCRIPTION:

A new type of mounting of the air channel was introduced to reduce the assembly time in production and in service. The old method uses 8 screws. The new uses snaps and 2 screws. The new solution is compatible with old ovens, but currently produced appliances require use of new air channel.



1. Old solution – air channels: 3532455015, 3532455031



2. New solution – air channels: 3532455049, 3532455056

SOLUTION

To install a new type of air channel in an appliance with previous solution proceed as normal. Use all 8 screws. New part is designed with holes for screws, so no modification of part is necessary.

SPARE PART NUMBER:

Old spare part code	New spare part code	Description
3532455015	3532455049	Air channel, upper
3532455031	3532455056	Air channel, upper

MODELS INVOLVED:

This change is valid for all ovens produced in Forli, Italy.

INTERCHANGEABILITY:

New parts are fully compatible with old mounting solution

REVISION:

Revision	Date	Description	Author	Approved by - on
00	12/2016	Document Creation	Marcin Kobińska	Giuseppe Garzarella 2017-01-10