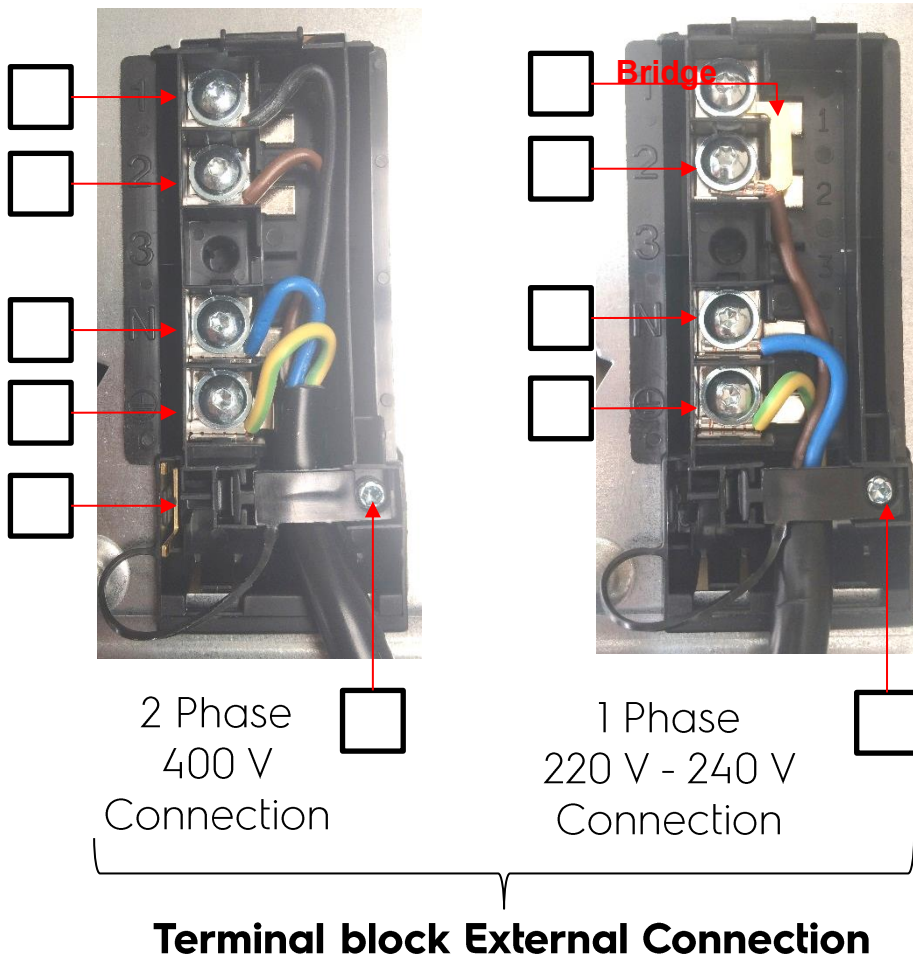
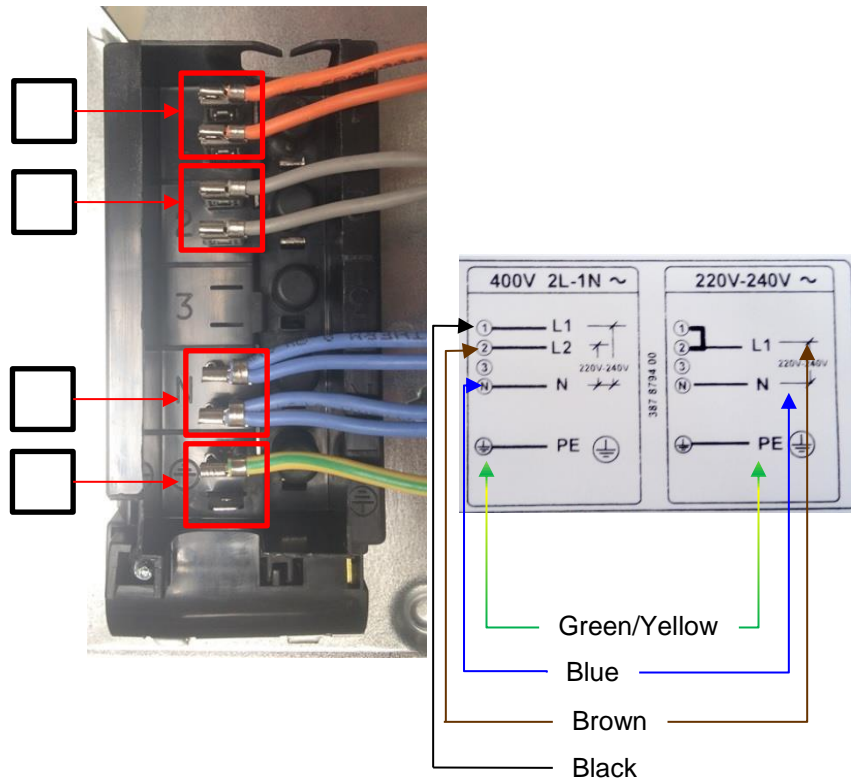


Main connections for radiant hob

Service unit (Branch)	:
Model	:
PNC	:	949492.....
Serial no	:
Service Date	:
Product is connected to	:	1 Phase <input type="checkbox"/> 2 Phase <input type="checkbox"/>





Terminal block Internal Connection

Please mark where the connection was incorrect and send it back to e-mail address on the mail technical.department@electrolux.co.uk

Short Remarks of job performed:

Note **

- If you connect the hob using 2-phase connection, you must have three-phase network (400 V).
- If you connect the hob using 1 phase connection, you must use the bridge; otherwise, one side of the hob does not work.

Revision	Date	Description	Approved by
0.0	05/2017	Document creation	Gabriela Marginean