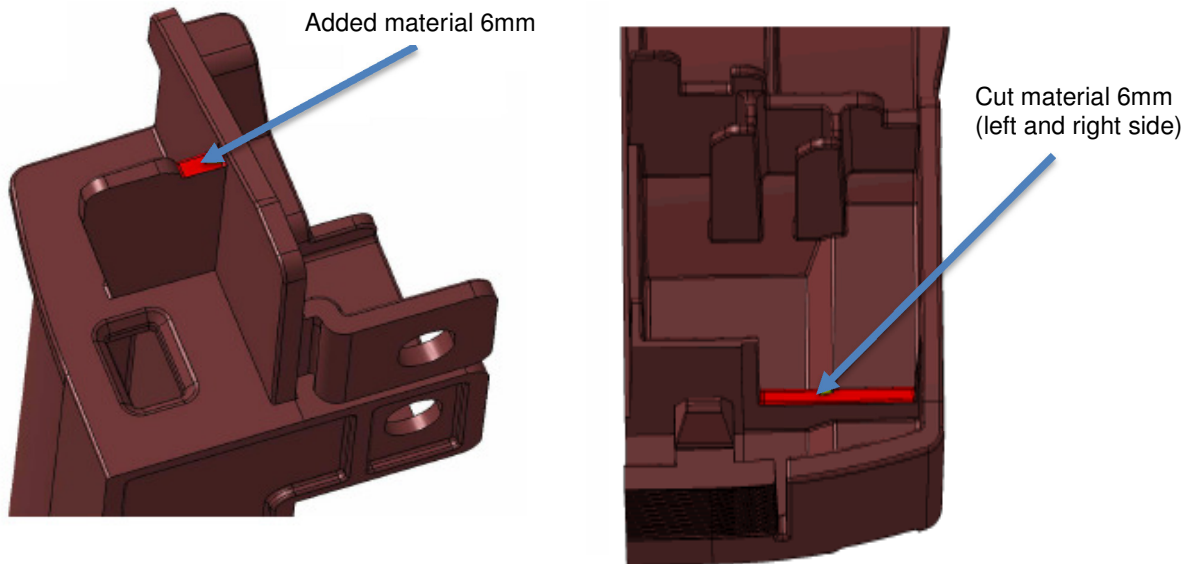




Exchange of old front glass to new front glass along with door cover

DESCRIPTION:

In ovens, construction of front glass columns and door cover has been modified. As a result, in case of front glass damage, it is not possible to mount the old door cover to new front glass.



SOLUTION:

In order to exchange old front glass it is required to order new assembled part equipped with front glass and door cover as one spare part code.

SPARE PART NUMBER:

List of assembled parts equipped with front glass and door cover which are required to be order in case of exchange front glass to the new ones.

Old front glass	Assembled part (front glass + door cover)
5611824672	6619284950
5611824714	6619284968
5611824789	6619284976
5611824821	6619284984
5611824300	6619284992
5611824334	6619285007
5611824359	6619285015

MODELS INVOLVED:

This solution is valid for models with old type of front glass listed in the above table.

REVISION:

Revision	Date	Description	Author	Approved by - on
00	04/2017	Document Creation	Ewelina Fidor	Ernst Waldmannstetter 2017-04-21