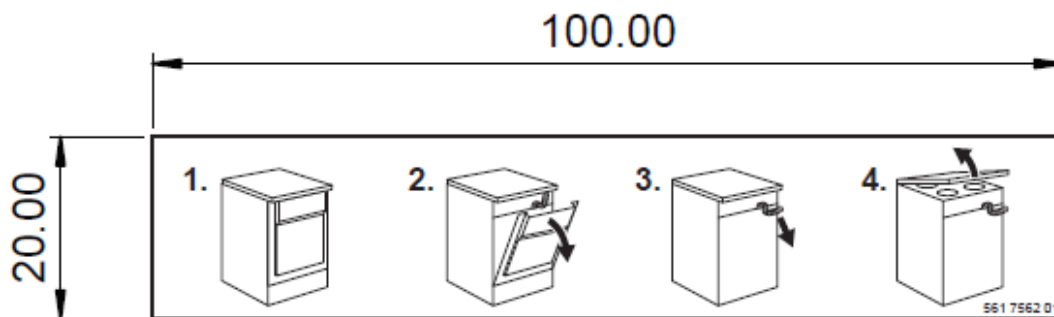


Converting Lable 561756201 to Technical Data Base

Lable 561756201 stick on rear side of Hob plate illustrating the four step spares safety precaution for lifting the Hob top plate.

**1. Appliance - 2. Rear panel removal - 3. Release aluminium hose - 4. Lifting top Plate**



*From next production* the lable, 561756201 will not be stucked on appliance, so all the service engineers should refer this document for the knowledge.

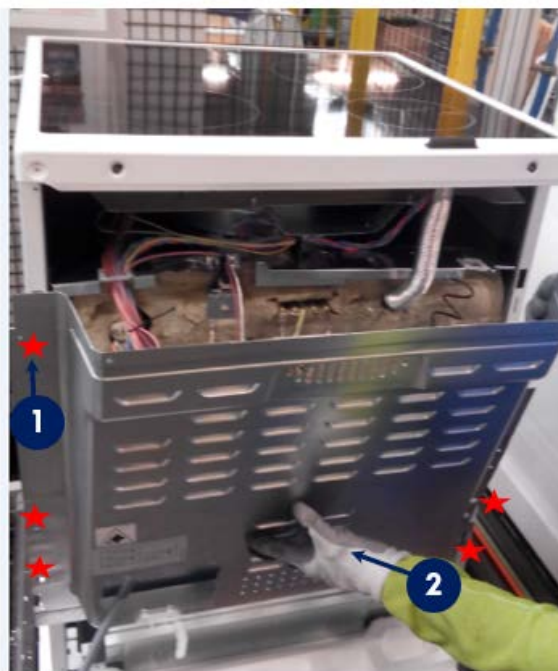
**Hose Subassembly:**

1. Bob
2. Aluminium Hose



## Systematic Procedure for Lifting the Hob Top Plate

1. Unfastern the rear panel screws
2. Remove the Rear Panel



3. Twist the hose
4. Pull the hose down
5. Lift the Hob Top Plate

Revision	Date	Description	Approved by
0.0	04/2017	Document creation	Ireneusz Zapala