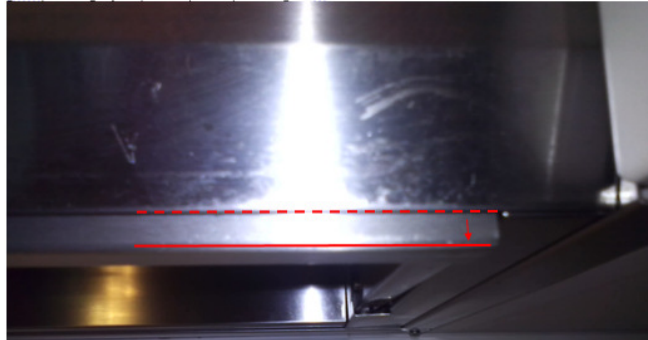




### GLASS PANEL SLIGHTLY DROPS DOWN AFFECTING HOOD ON/OFF SWITCH

#### DESCRIPTION

The glass panel drifts down and does not close well, affecting hood on/off switch (light and fan are on even in closed panel position).



#### ROOT CAUSE

Plastic material of the component inside Sklock mechanism is not able to withstand the glass panel weight in cooking conditions (high humidity & temperature) and deforms over time.

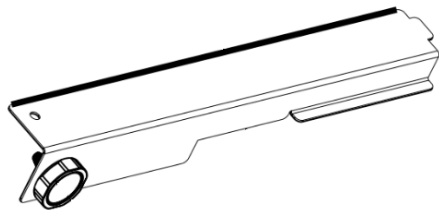


#### PCN INVOLVED:

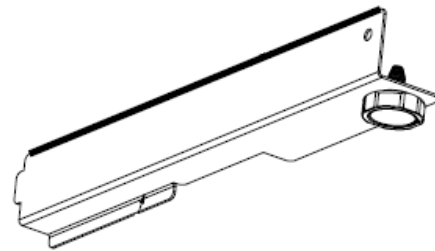
PNC	Model
942122952	EFP60565OX
942122953	EFP90565OX
942122955	X66163MP1
942122956	X69163MP1
942150206	CA6400IS-X
942150207	CA9400IS-X
942150208	CA6600IS-X
942150209	CA9600IS-X
942150309	EFP60540OX
942150435	EFP60566OX
942150549	DPE3640
942150548	DPE3940

## SOLUTION (CONTAINMENT ACTION)

Introduction of magnet and gasket on the side covers, left and right (see images below).



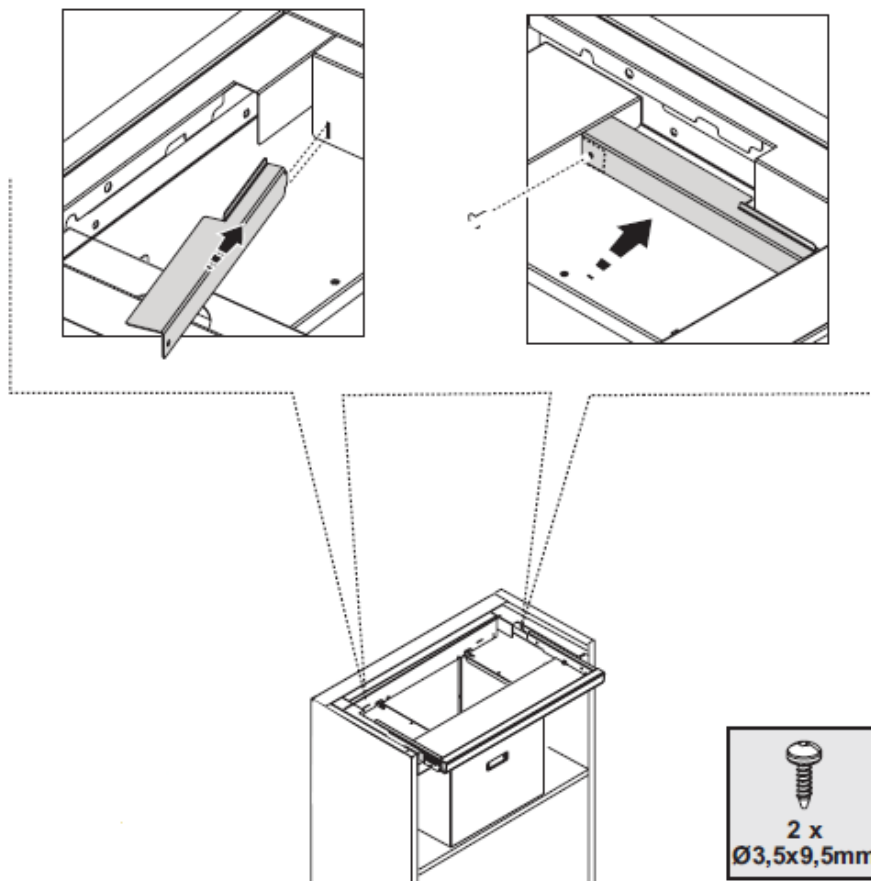
RIGHT

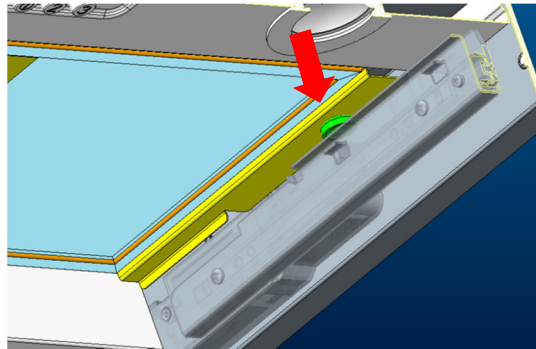
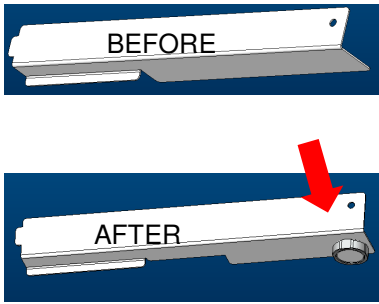


LEFT

## INSTRUCTIONS

- Check in user inserted side covers provided in hood package during installation.
- If the side covers are inserted, replace them with side covers with magnet and gasket (included in kit 4055388914) according to pictures below.





*(before, after)*

- If side covers are not inserted, insert side covers with magnet and gasket (included in kit 4055388914) like in the picture above.

**SPARE PART NUMBER**

Part needed for exchange:

**KIT BRACKET+MAGNET → 4055388914**

**REVISION:**

Revision	Date	Description	Author	Approved by - on
00	03/2017	Document Creation	Dmytro Gavrylkiv Blanka Kucharska	Dmytro Gavrylkiv Blanka Kucharska 2017-03