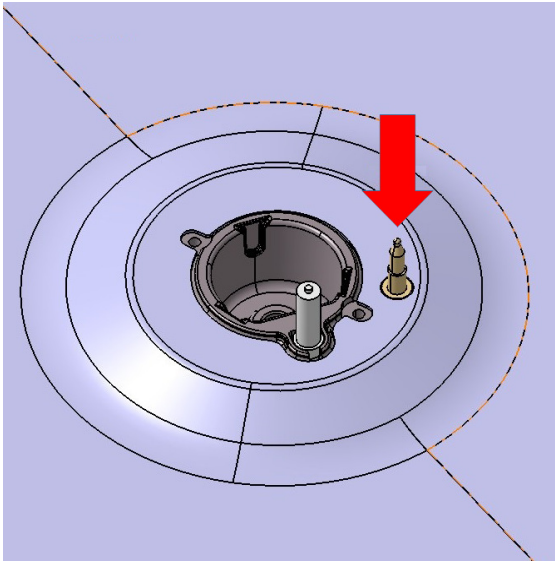




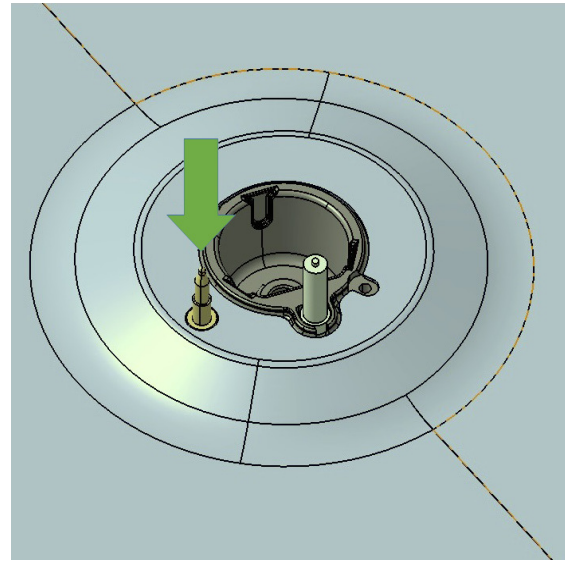
### Moved thermocouple hole in burner area

#### DESCRIPTION

In gas hobs equipped with side control knobs, position of thermocouple hole has been moved within burner area. Spare part codes for work tops remain the same.



Position of thermocouple hole before modification



Position of thermocouple hole after modification

#### SOLUTION:

Modification of thermocouple hole has no impact on interchangeability of work tops. It is only required to fit thermocouple sensor in new position of hole.

#### SPARE PART NUMBER:

Spare part code of work tops, which are involved in mentioned modifications are as follows:

List of work tops with moved thermocouple hole		
3532328113	3532424144	3532510348
3532328121	3532424169	3532510355
3532328139	3532424367	3532510371
3532328345	3532510025	3532510421
3532328352	3532510041	3532510454
3532328360	3532510108	3532510470
3532328378	3532510272	3532511015
3532328386	3532510280	3532511023
3532328394	3532510298	3532543109
3532328402	3532510314	3532543117
3532328410	3532510322	3532543125
3532424052	3532510330	3532543133
		3532543141

**MODELS INVOLVED:**

The above way of repair is valid for all PNCs that are equipped with above work tops.

**REVISION:**

<b>Revision</b>	<b>Date</b>	<b>Description</b>	<b>Author</b>	<b>Approved by - on</b>
00	01/2017	Document Creation	Ewelina Fidor	Fabio Picardi 2017-02-01