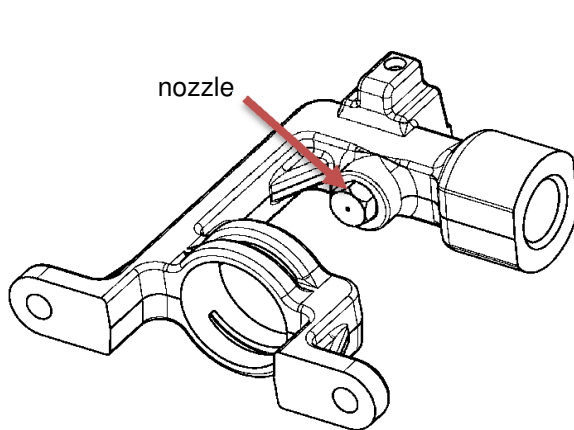




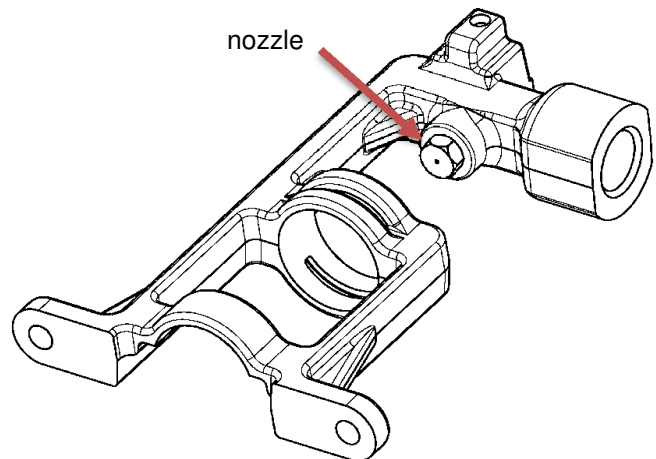
Exchange of injector holder in flush burner

DESCRIPTION

In gas hobs equipped with flush burners, injector holder will not be available as single spare part. Such parts require to be leak tested. That is possible only with a mounted nozzle. As a result, injector holders will be delivered with mounted nozzle for service needs in order to provide safety for user.



Small injector holder + nozzle



Big injector holder + nozzle

SOLUTION:

In case of injector holder damage, it is required to remove delivered nozzle from new injector holder and mount original nozzle from appliance.

SPARE PART NUMBER:

Spare part code of injector holders, which are required to be ordered in case of damage are as follows:

Single injector holder	Spare part code for injector holder with nozzle required to be ordered	Description
8071256013	140075783013	Small Injector holder + Nozzle for Semi-rapid and Auxiliary flush burners
8071257011	140075788012	Big Injector holder + Nozzle for Rapid flush burner

MODELS INVOLVED:

The above way of repair is valid for all PNCs which are equipped with above injector holders

REVISION:

Revision	Date	Description	Author	Approved by - on
00	11/2016	Document Creation	Ewelina Fidor	Fabio Rasi 2016-11-25