

© ELECTROLUX HOME PRODUCTS.

Customer Care - EMEA

Training and Operations Support

Technical Support

Publication  
number

**599 79 17-92**

EN

**Boiling storage water  
heater**

INTRODUCTION .....	3
SPAREPARTS .....	3
REQUIRED TOOLS.....	3
REPLACING THE MAINS PLUG .....	4
<i>REPLACING THE TF/SENSOR PCB.....</i>	<i>5</i>
<i>REPLACING THE CONTROL PCB.....</i>	<i>6</i>
REPLACING THE BOILING WATER HOSE.....	8

This appliance is intended to be used to store, heat and provide drinking water. This appliance stores, heats and provides boiling drinking water in addition to cold and warm water.

To supply boiling water; cold water flows from the cold water supply to the boiler, where it is heated up to 100 °C. From the boiler the boiling water flows to the tap. The cold water also flows from the cold water supply directly to the cold water inlet on the tap. There are two ways to provide the tap with warm water: Warm water can be supplied by connecting the warm water supply, if available, to the warm water inlet on the tap. This situation is named; the solo configuration. Cold and boiling water from the boiler can be mixed with the mixing valve. The mixed water outlet of the mixing valve can be connected to the warm water inlet on the tap. This situation is named; the combi configuration.

## SPAREPARTS

The following parts can be replaced.

1. Mains cord
2. Sensor/Thermal fuse PCB
3. Control PCB
4. Boiling water hose (combi situation only)

## REQUIRED TOOLS:

- Torx screwdriver T10
- Protection gloves
- Wrench 19 mm.

## REVISIONS

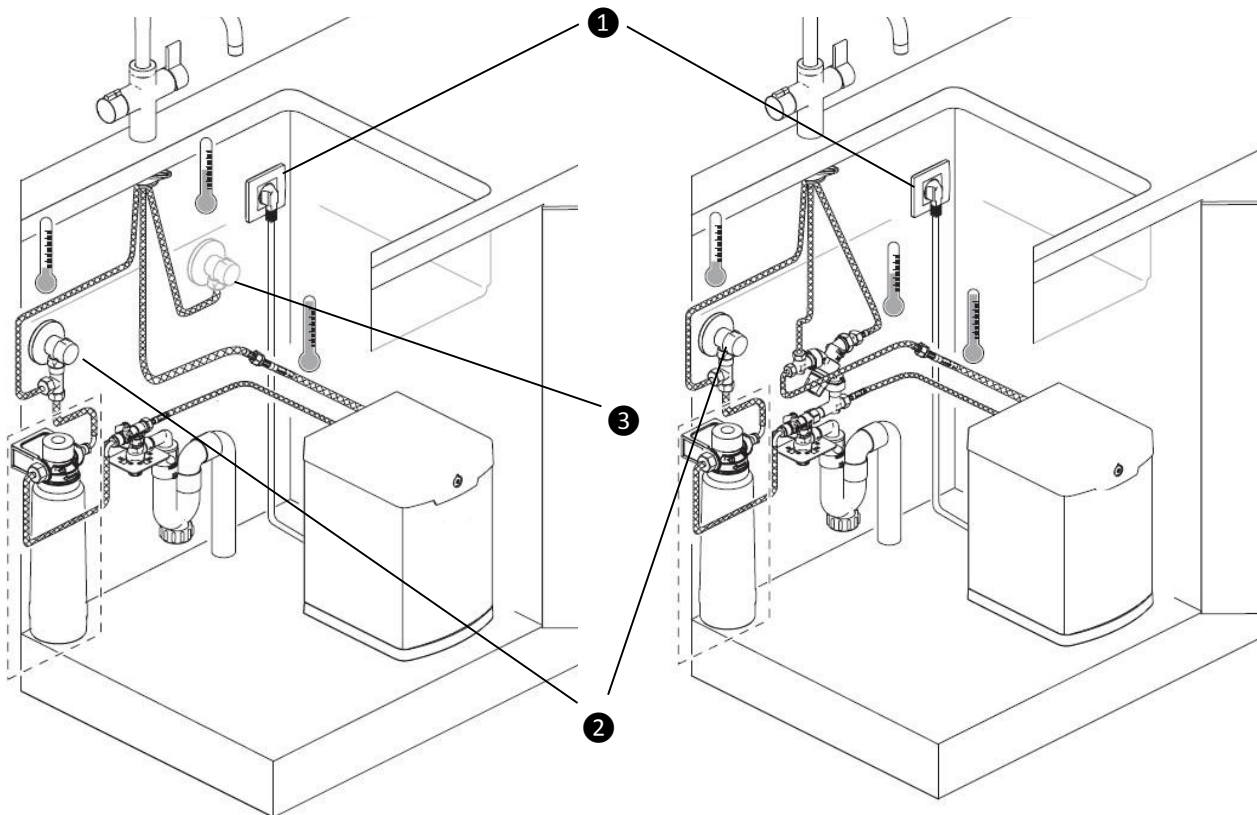
Revision	Date	Description
00	08 / 2015	Document creation
01	11 / 2016	Updated with brand information

## REPLACING THE MAINS PLUG:

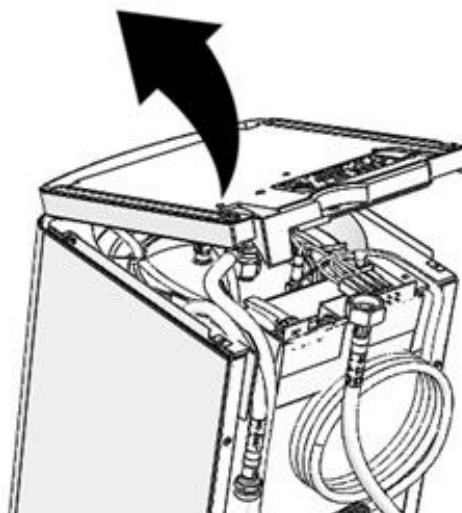
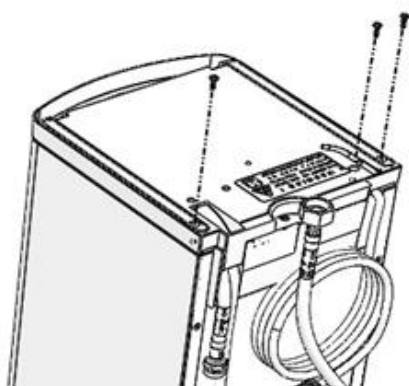
1. Make sure that the appliance is unplugged by removing the mains plug **1** !! ;
2. Tap 6 liter water from the boiling water tap to cool down the system;
3. For the solo situation, close the cold **2** and warm **3** water supply, for the combi situation, close the cold water supply only;

### Solo situation

### Combi situation



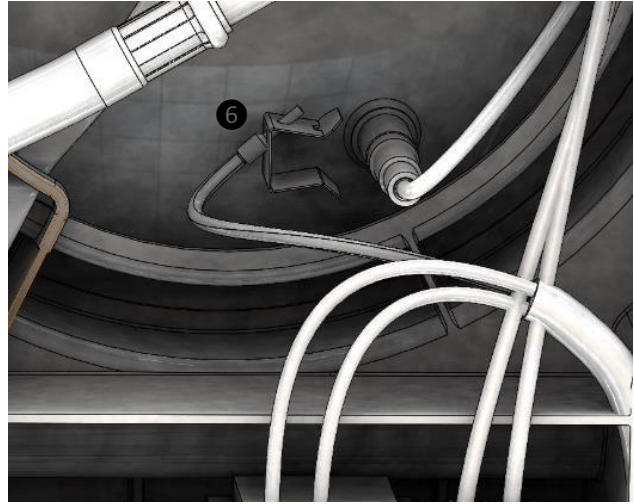
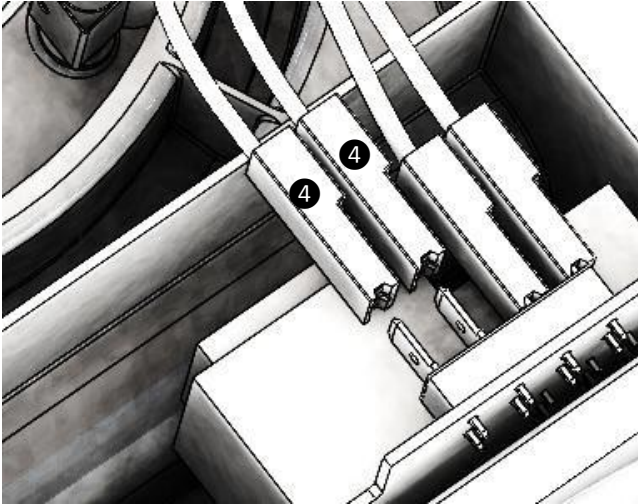
4. Turn the boiler upside down, make sure that the top surface is protected with e.g. a soft towel;
5. **WARNING!** If it's not possible to service the boiler without detaching the hoses, close the water supplies and relief the water pressure before detaching the hoses!
6. Remove the 3 Torx screws;
7. Remove cap by lifting the cap and slide forward;



8. Remove the two connectors from the control PCB (4)
9. Remove the earth clip from the heating element (6)
10. Follow the steps in reversed order to build in the new mains cable;

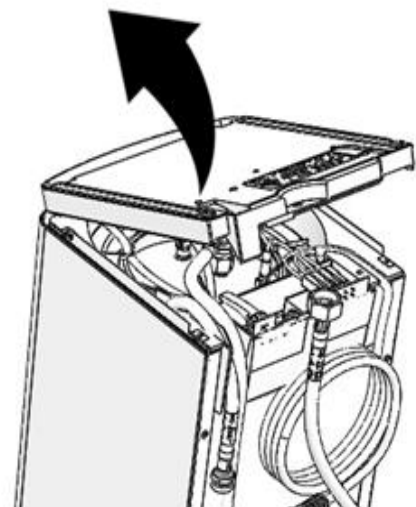
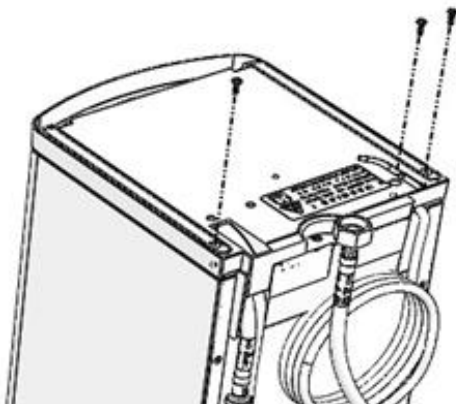


11. Be sure to connect the earth clip on the heating element!
12. Always use original OEM parts only!
1. If you have detached the hoses, open the boiling water tap and flush 4 liter water and be sure that there is no air left in the system and check for leakages;
13. Press the on/off button for min. 0.5 sec. The white LED indicator comes on when the boiler starts.

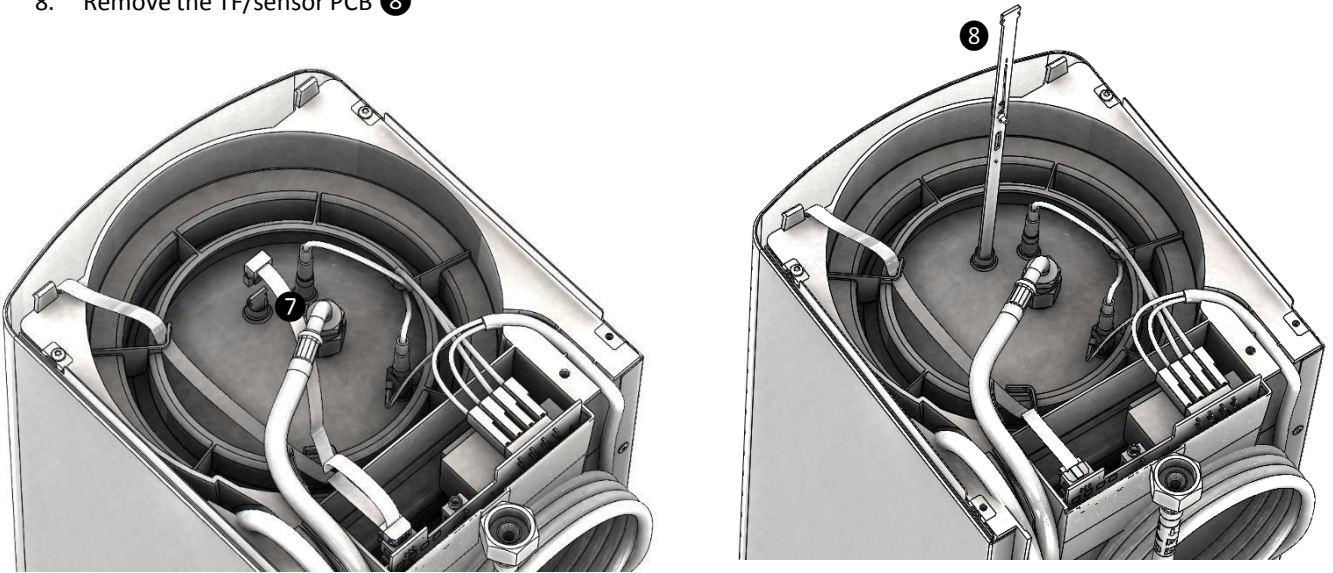


#### REPLACING THE TF/SENSOR PCB

1. Make sure that the appliance is unplugged by removing the mains plug!! ;
2. For the solo situation, close the cold and warm water supply, for the combi situation, close the cold water supply only;
3. Turn the boiler upside down, make sure that the top surface is protected with e.g. a soft towel;
4. **WARNING!** If it's not possible to service the boiler without detaching the hoses, close the water supplies and relief the water pressure before detaching the hoses!
5. Remove the 3 Torx screws;
6. Remove cap by lifting the cap and slide forward;



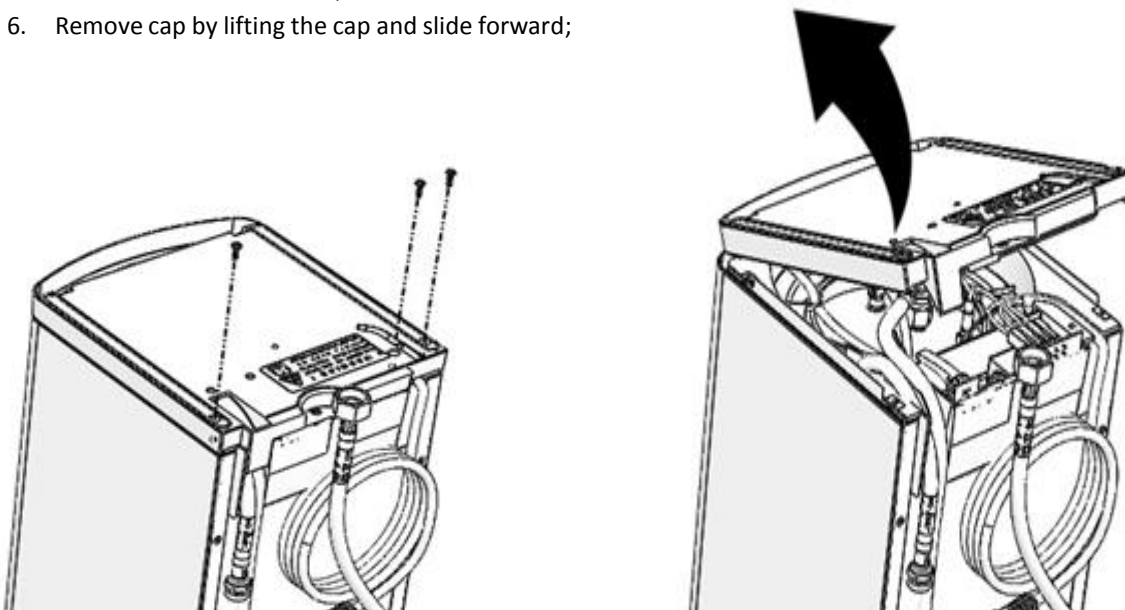
7. Remove the sensor cable ⑦
8. Remove the TF/sensor PCB ⑧



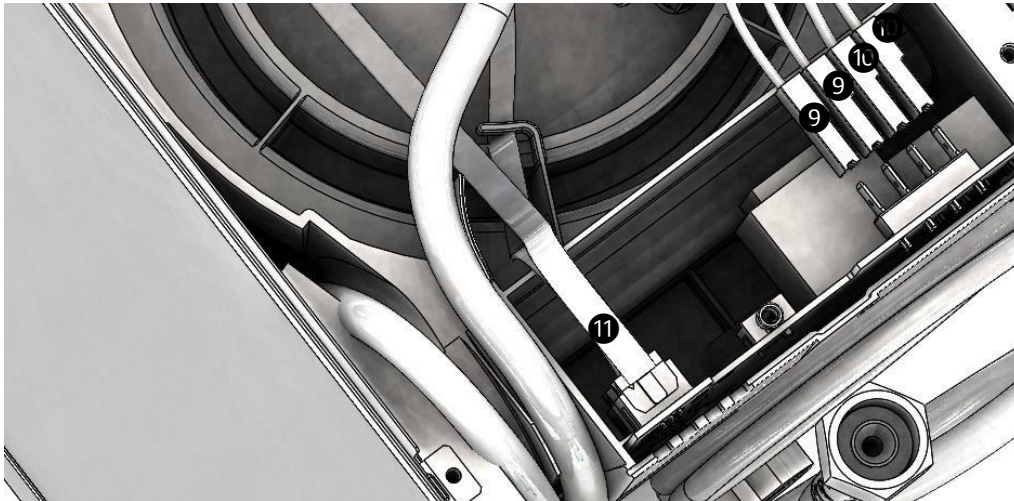
9. Follow the steps in reversed order to build in the new TF/sensor PCB
10. If you have detached the hoses, open the boiling water tap and flush 4 liter water and be sure that there is no air left in the system and check for leakages;
11. Press the on/off button for min. 0.5 sec. The white LED indicator comes on when the boiler starts.

#### REPLACING THE CONTROL PCB

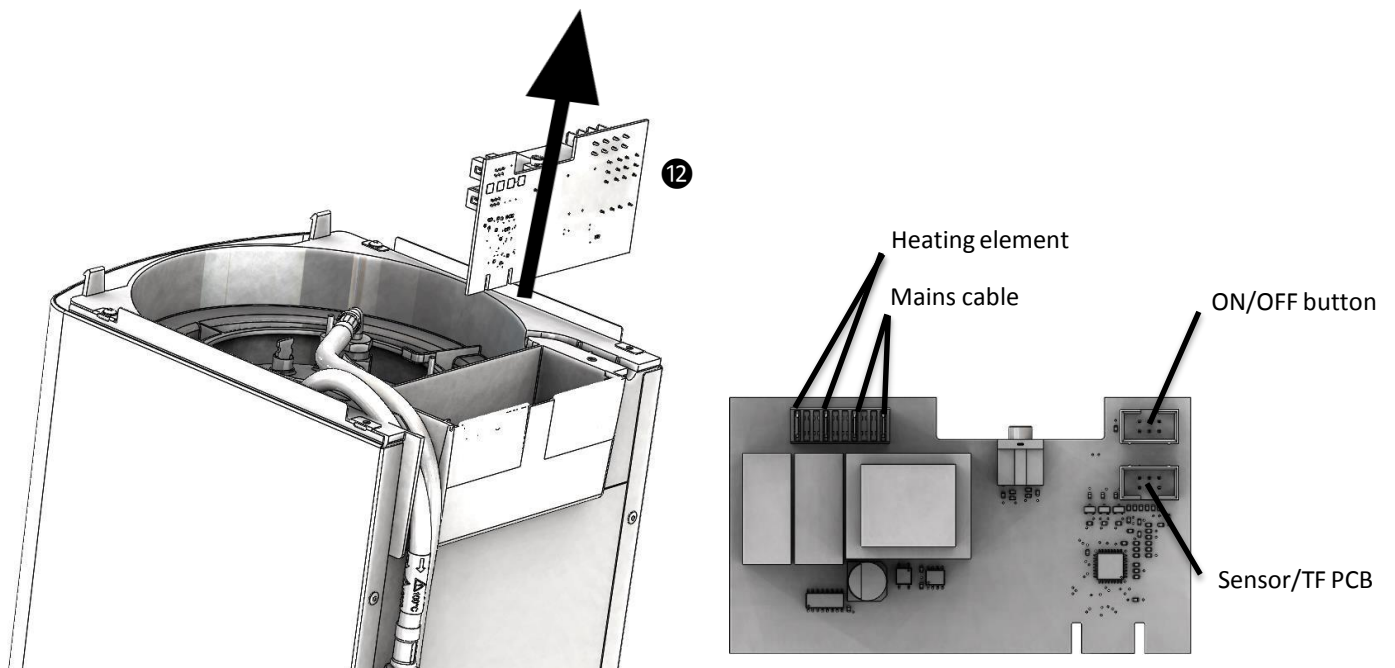
- ⚠ 1. Make sure that the appliance is unplugged by removing the mains plug!! ;
2. For the solo situation, close the cold and warm water supply, for the combi situation, close the cold water supply only;
3. Turn the boiler upside down, make sure that the top surface is protected with e.g. a soft towel;
- ⚠ 4. **WARNING!** If it's not possible to service the boiler without detaching the hoses, close the water supplies and relief the water pressure before detaching the hoses!
5. Remove the 3 Torx screws;
6. Remove cap by lifting the cap and slide forward;



7. Remove all 4 cables (mains cable connector **9** and connectors heating element **10**)
8. Remove the 2 ribbon-cables (**11**)



9. Replace the control PCB (**12**) Touch the edges of the PCB only!



10. Follow the steps in reversed order to build in the new control PCB



11. Be sure that the mains cord is connected as shown above. Always use original OEM parts only!
12. If you have detached the hoses, open the boiling water tap and flush 4 liter water and be sure that there is no air left in the system and check for leakages;
13. Press the on/off button for min. 0.5 sec. The white LED indicator comes on when the boiler starts.

## REPLACING THE BOILING WATER HOSE

- ⚠ 2. Make sure that the appliance is unplugged by removing the mains plug!! ;
3. Tap 6 liter water from the boiling water tap to cool down the system.
4. Close the cold water supply;
5. The replacement of the boiling water hose is only applicable for the combi situation;
6. Open the boiling water tap to relief the water pressure of the boiling water hose;
7. Dismount the hose by loosening connection 13 + 14;
8. Replace the hose;
9. Open the cold water supply;
10. Open the boiling water tap and flush 4 liter water and be sure that there is no air left in the system;
11. Check for leakages;
12. Press the on/off button for min. 0.5 sec. The white LED indicator comes on when the boiler starts.

