



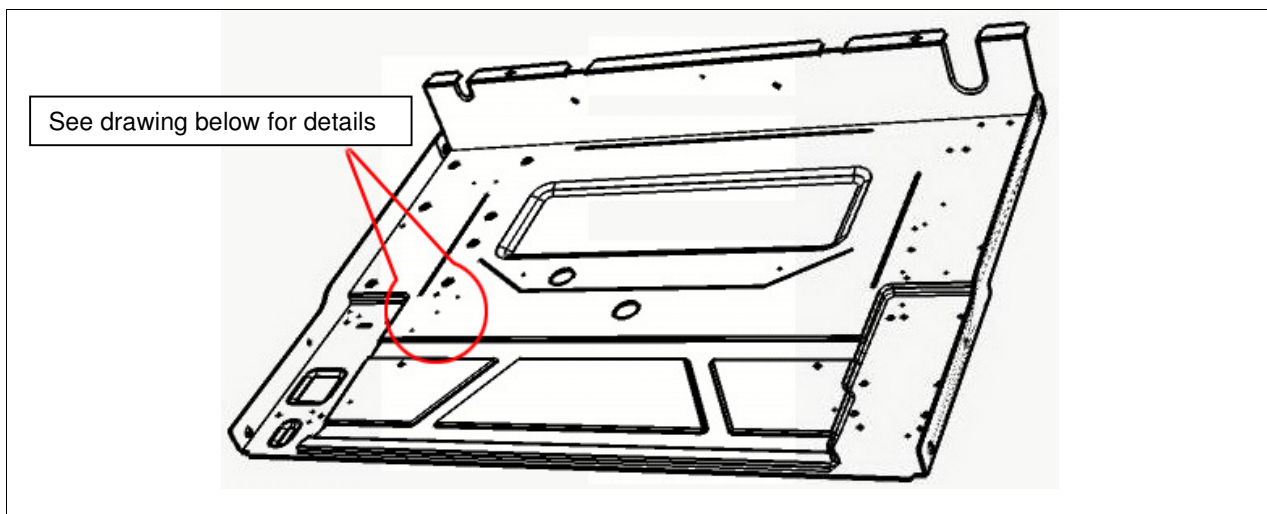
### Exchange of old thermostats to new thermostats

#### DESCRIPTION:

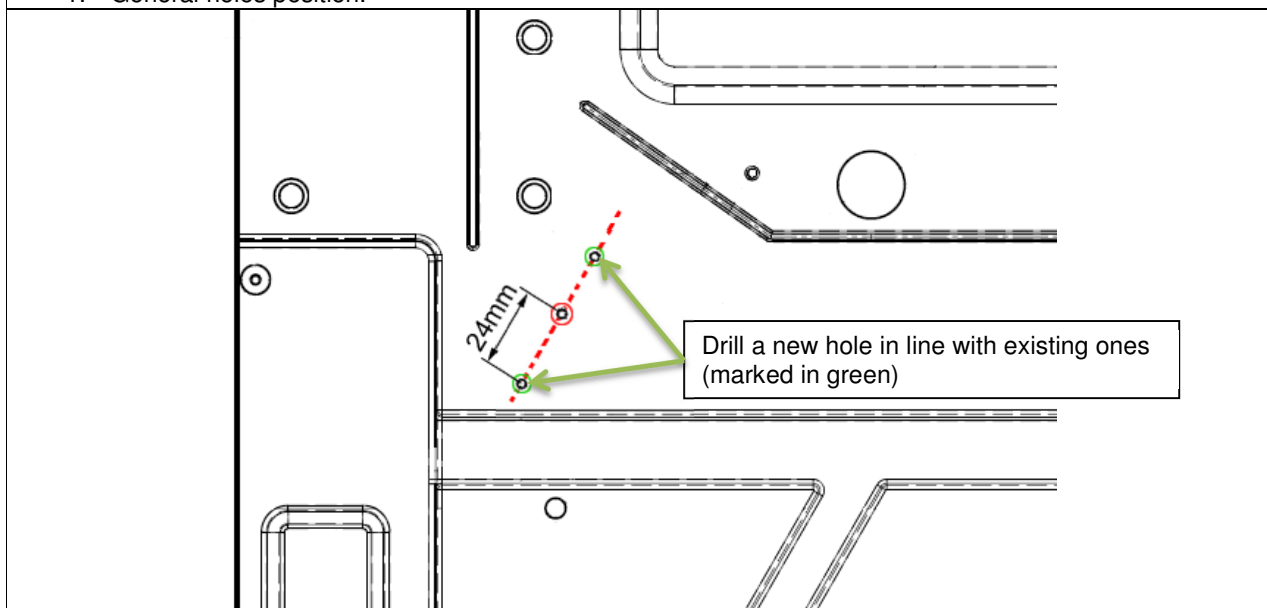
Old thermostats 3570562011 and 3570562029 are no longer available for spares. Mounting solution for new thermostats 3570767016 or 3570767024 is not full compatible. To use new thermostat in older appliances follow instructions below.

#### SOLUTION:

To mount the thermostat it is necessary to drill additional hole in the cover plate. Remove old thermostat. Using 2.6mm drill add a hole at indicated position.



1. General holes position.



2. Detailed dimensions.

Assembly new thermostat using designated holes.

**SPARE PART NUMBER:**

<b>Old spare part code</b>	<b>New spare part code</b>	<b>Description</b>
3570562011	3570767016	Additional hole needed.
3570562029	3570767024	Additional hole needed.

**MODELS INVOLVED:**

This solution is valid for models with thermostats 3570562011 or 3570562029.

**REVISION:**

<b>Revision</b>	<b>Date</b>	<b>Description</b>	<b>Author</b>	<b>Approved by - on</b>
00	11/2014	Document Creation	Ewelina Fidor	Giovanni Raffucci 2015-08-17