

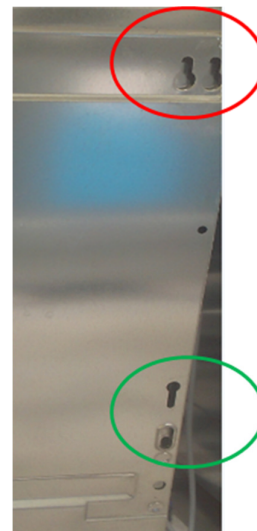
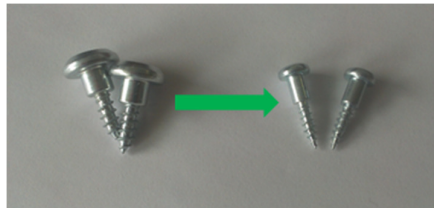


WRONG SCREW IN OPTIONAL PACK

DESCRIPTION:

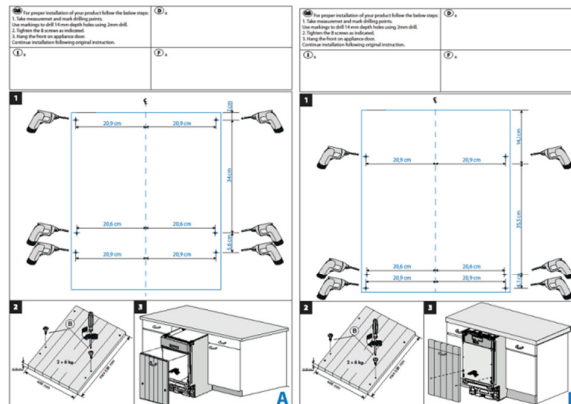
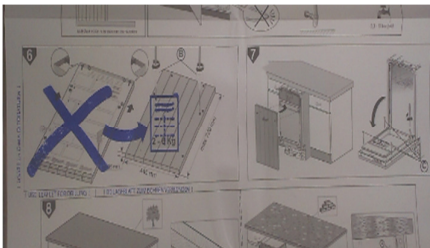
We would like to inform that from week **11/2015** factory has modified outer doors. Two holes for fixing screws have been removed. Due to this only lower holes should be used to position the wooden panel.

From week **11/2015** to week **24/2015** factory produced dishwashers with wrong optional pack (wrong screw - **4,5x18** instead of **3,5x19**) and drilling template (holes for screw in incorrect positions).



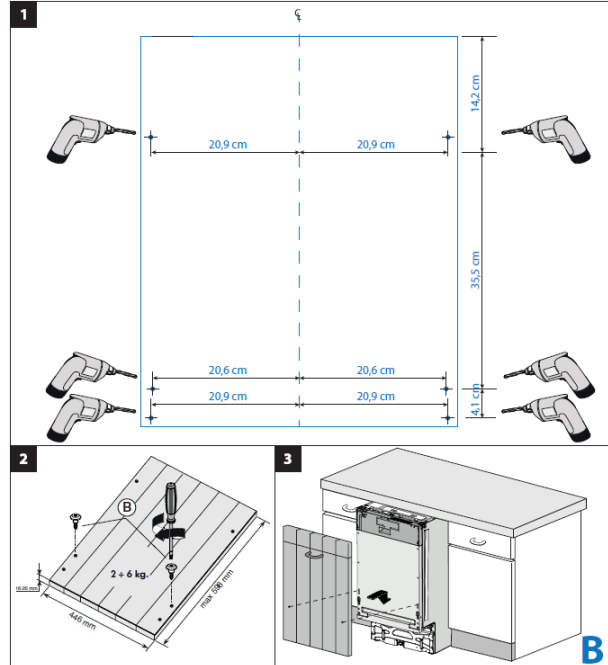
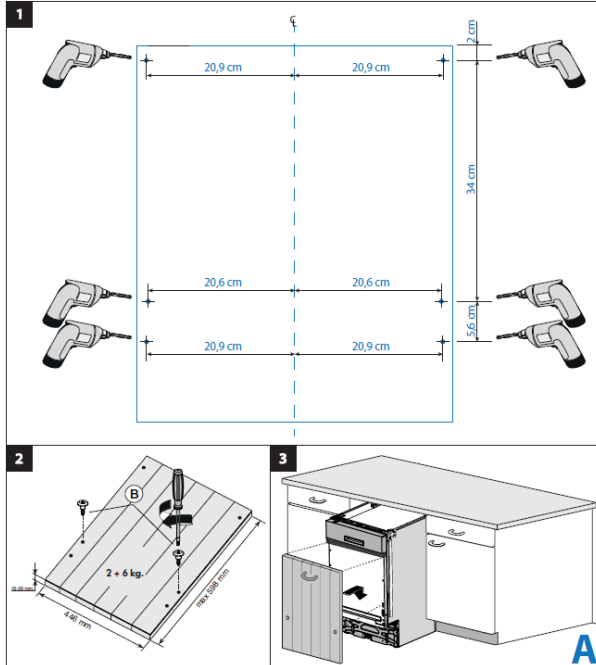
SOLUTION:

Temporarily from week **25/2015** there is used leaflet attached to drilling template showing proper position of screws.



To fix issue in the field, both following actions have to be done:

1. Order 2 screws **14000590017**
2. Drill the hole according to leaflet or new drilling template (BI (picture A) or FI (picture B) version of an appliance)



MODELS INVOLVED:

PNC	Model
911066002	ESI4500LAX
911066003	ESI4500LOX
911066004	TP9453X
911066006	ESI4500LOX
911069002	ZDN11002XA
911069003	ESI4200LOX
911075002	ZDV14002FA
911075004	ESL4300LA
911075005	ESL74300LO
911075006	ESL94300LA
911075007	ESL94300LO
911075008	ZDV91400FA
911075009	ESL4310LO
911075010	PVS1550
911075011	KDV10010FA
911075012	TT8453
911075013	JGVN45515
911076002	ZDV15002FA

PNC	Model
911076003	ZDV91500FA
911076004	ESL4500LO
911076005	FDV15002FA
911076006	ESL9450LO
911076010	TT10453
911076011	ESL4500LO
911076011	ESL4500LO
911079002	ZDV12002FA
911079006	ZDV12002FA
911079007	IDSH451W
911079008	ESL4200LO
911079009	ESL4200LO
911079012	ESL94200LO
911079013	ZDV91200FA
911079014	ESL94201LO
911079018	RSL4200LO
911079019	TT4451
911079020	PDV12002FA

REVISION:

Revision	Date	Description	Author	Approved by - on
00	06/2015	Document Creation	Marcin Łapa	Krzysztof Dobrzański