

© ELECTROLUX HOME PRODUCTS
Consumer Care - EMEA
Training and Operations Support
Technical Support

Publication
number

599 78 93-73

EN

ZFU21300WA

Edition: 05/2015 - Rev. 00

WHITE GOODS	FREEZER	CUSTOMER SUPPORT
	ASSEMBLE & DISASSEMBLE	

A- Changing The Door Swing Direction to Right Hand

1- Lie down the appliance to the left side. Dismantle both leveling feet and unscrew the bottom hinge fixing screws and remove it. (Fig-1) Unscrew the bottom hinge pin and screw in the next hole.(Fig-2)

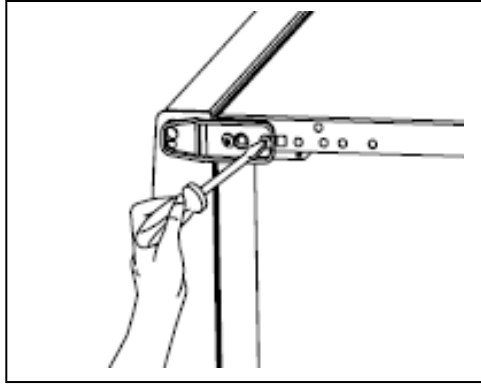


Figure-1

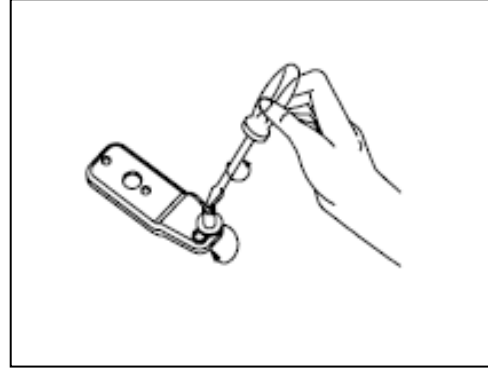


Figure-2

2- Unscrew the pin of the top hinge (Fig-3/Detail-B) and screw it to the left hinge. (Fig-3/Detail-A)

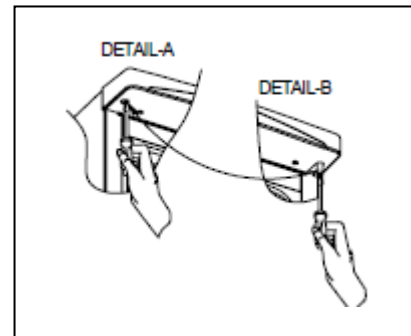


Figure-3

3- Replace the top bushing and top bushing cap. (Fig-4)
 (You can use the bushing cap that is put in the user manual)
 Remove the bottom bush and reassemble it to the left side. (Fig-4)

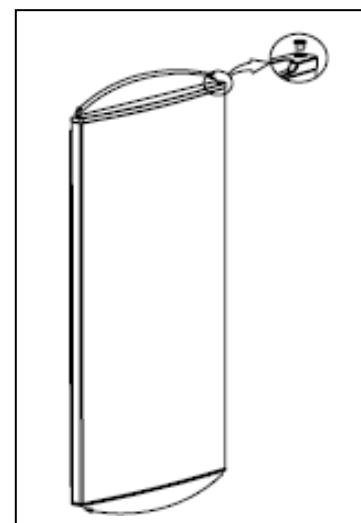


Figure-4

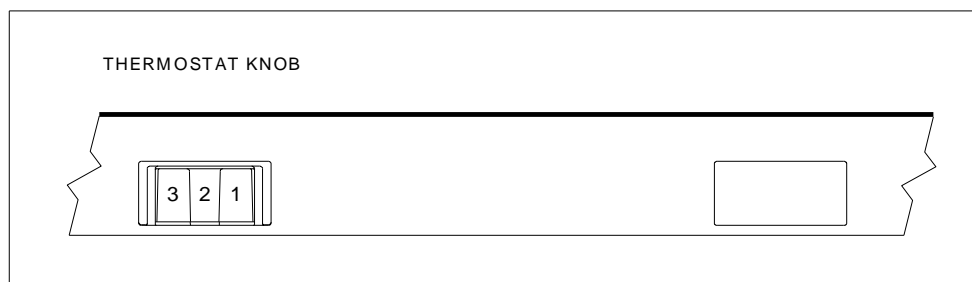
4- Assemble the door together with bottom hinge. Then screw the bottom hinge to the left hole of the refrigerator. Screw the both leveling feet.

WHITE GOODS	FREEZER	CUSTOMER SUPPORT
	ASSEMBLE & DISASSEMBLE	

B- Changing The Thermostat:

- 1- Remove the 3 screw caps on the top of the head panel.
- 2- Unscrew the three head panel bolts. Remove the head panel by pulling towards to forward.
- 3- Disconnect to wire connector.
- 4- Remove the second shelf from bottom.
- 5- Remove the plastic holder which is fixing thermostat bulb.
- 6- Remove the thermostat bulb by pulling.
- 7- Remove thermostat holder by slightly stretching head panel.
- 8- Remove the thermostat knob by pulling forward.
- 9- Loosen the nut which is fixing the thermostat.
- 10- Replace the thermostat with new one.
- 11- Assemble the thermostat by applying following steps backwards.

C- Thermostat Knob:



You may adjust freezer temperature automatically by thermostat knob. If you turn the thermostat knob to ‘0’ position, freezing will be stopped.

Positions of thermostat knob;

5: Is a SUPER FREEZING position. When a lot of food is placed inside the appliance, adjust the thermostat knob to super freezing position (5). When the freezer temperature is reached to required temperature, readjust the thermostat knob to old position.

3-4: Is the recommended value for normal usage.

1-2: Use when less freezing is needed.

WHITE GOODS	FREEZER	CUSTOMER SUPPORT
	REFRIGERANT CYCLE DIAGRAM	

