



SETTINGS RESET AFTER EACH CYCLE – ACOUSTIC SIGNAL AND SALT LEVEL

DESCRIPTION:

We would like to inform you that in some appliances with user interface board EDW503 in very rare occasion, the machine loses its settings and reset back to its default values.
Customer can claim 'acoustic end signal missing' or 'can't set and store salt level'

SOLUTION:

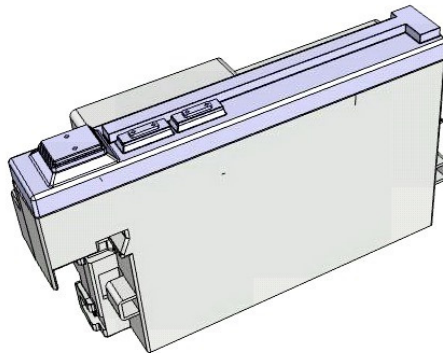
The issue was fixed in production with changing of the power board from PB200 to PB300, but there are some affected machines in the field.

To fix issue in the field, both following actions have to be done:

1. Reprogram the main power board by updated software using the Sidekick (*)
2. Replace the User Interface board

(*) Before reprogramming the main power board, please update the Sidekick software.

SPARE PART NUMBER:



Old spare part code	New spare part code	Description
140000453039	140000453096	User interface board, EDW503
140000453013	140000453070	User interface board, EDW503

MODELS INVOLVED:

PNC_ELC	Model
91107900200	ZDV12002FA
91107900201	ZDV12002FA
91107900202	ZDV12002FA
91107900300	HJÄLPSAM
91107900301	HJÄLPSAM
91107900400	HJÄLPSAM
91107900401	HJÄLPSAM
91107900500	HJÄLPSAM
91107900501	HJÄLPSAM
91107900600	ZDV12002FA
91107900601	ZDV12002FA
91107900602	ZDV12002FA
91107900701	IDSH451W
91107900702	IDSH451W
91107900800	ESL4200LO
91107900801	ESL4200LO
91107900802	ESL4200LO
91107900900	ESL4200LO
91107900901	ESL4200LO
91107900902	ESL4200LO
91107901100	TT4451
91107901101	TT4451
91107901200	ESL94200LO
91107901201	ESL94200LO
91107901202	ESL94200LO
91107901300	ZDV91200FA
91107901301	ZDV91200FA
91107901302	ZDV91200FA
91107901400	ESL94201LO
91107901401	ESL94201LO
91107901402	ESL94201LO
91107901500	PDV10010FK
91107901600	HJÄLPSAM
91107901800	RSL4200LO
91107901900	TT4451
91153909700	LV1520
91153909700	LV1520
91153909701	LV1520
91153909702	LV1520
91153909800	PV1540
91153909801	PV1540

PNC_ELC	Model
91153909802	PV1540
91153909900	KDT11002FK
91153909901	KDT11002FK
91153909902	KDT11002FK
91153910000	PDT11002FK
91153910100	PDT10002FK
91153910101	PDT10002FK
91153910102	PDT10002FK
91153910200	KDT10001FB
91153910201	KDT10001FB
91153910202	KDT10001FB
91153910300	ZDT12011FA
91153910301	ZDT12011FA
91153910302	ZDT12011FA
91153910303	ZDT12011FA
91153910400	LAGAN
91153910401	LAGAN
91153910500	LAGAN
91153910501	LAGAN
91153910600	LAGAN
91153910601	LAGAN
91153910700	ZDT12011FA
91153910701	ZDT12011FA
91153910800	ZDT13012FA
91153910801	ZDT13012FA
91153910802	ZDT13012FA
91153910900	ZDT13012FA
91153910901	ZDT13012FA
91153910902	ZDT13012FA
91153911000	ESL6201LO
91153911001	ESL6201LO
91153911100	ESL6211LO
91153911101	ESL6211LO
91153911200	F34500VIO
91153911201	F34500VIO
91153911202	F34500VIO
91153911300	F34502VIO
91153911301	F34502VIO
91153911302	F34502VIO
91153911400	F34502VIO
91153911401	F34502VIO

PNC_ELC	Model
91153911402	F34502VIO
91153911600	ESL6211LO
91153911601	ESL6211LO
91153911700	IDSH602W
91153911701	IDSH602W
91153911702	IDSH602W
91153911800	GVW5810NY/P00
91153911801	GVW5810NY/P01
91153911802	GVW5810NY
91153911900	TT392
91153911901	TT392
91153911902	TT392
91153912000	TT602
91153912200	TT301
91153912201	TT301
91153912202	TT301
91153912300	ESL76211LO
91153912301	ESL76211LO
91153912400	ESL96211LO
91153912401	ESL96211LO
91153912500	ZDT91301FA
91153912501	ZDT91301FA
91153912502	ZDT91301FA
91153912600	ZDT12041FA
91153912601	ZDT12041FA
91153912700	VA61111KT/A00
91153912701	VA61111KT/A01
91153912800	TT403
91153912801	TT403
91153912802	TT403
91153912901	IGV6504.1-CN
91153912902	IGV6504.1-CN
91153913000	ZDT12051FA
91153913001	ZDT12051FA
91153913100	ZDT12041FA
91153913101	ZDT12041FA
91153913200	ZDT13010FA
91153913201	ZDT13010FA
91153913202	ZDT13010FA
91153913300	F34300VIO
91153913301	F34300VIO

PNC_ELC	Model
91153913601	ZDT21001FA
91153913700	ZDT92100FA
91153913800	ZDT22001FA
91153913801	ZDT22001FA

PNC_ELC	Model
91153914000	ESL5201LO
91153914001	ESL5201LO
91153914100	ESL95201LO
91153914200	ZDT92200FA

PNC_ELC	Model
91153915200	RSL5202LO
91153915300	RSL5211LO
91153915600	FDT22001FA

REVISION:

Revision	Date	Description	Author	Approved by - on
00	06/2015	Document Creation	Marcin Łapa	Krzysztof Dobrzański