



FILTER WITH ELECTRIC VALVE FOR LOCKRING CONNECTIONS

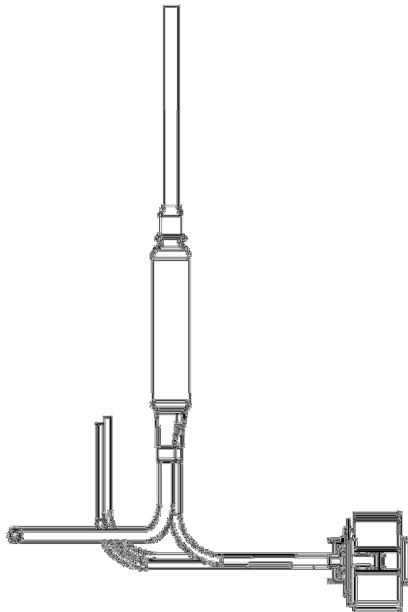
DESCRIPTION:

To allow exchange of filter without need of soldering, Electrolux has introduced a new spare part with longer tube.

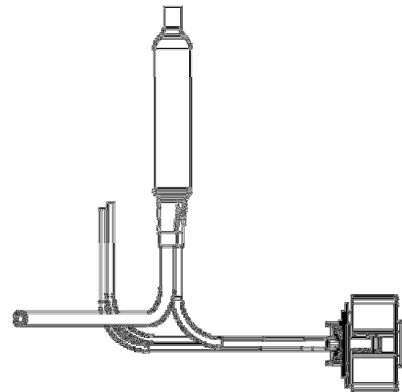
SOLUTION:

When there is longer connection needed for Lockring connections, please order part 140006917011 instead of 8082277016.

Part with longer connection
140006917011



Part with short tube
8082277016



REVISION:

| Revision | Date | Description | Author | Approved by - on |
|----------|---------|-------------------|-----------------|---------------------------|
| 00 | 03/2015 | Document Creation | Marzena Kosecka | Sándor Kórik – 23/03/2015 |