

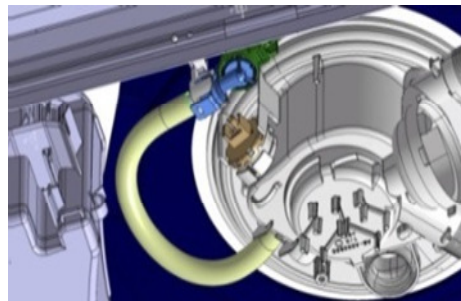


NEW SUMP WITH AIR TRAP

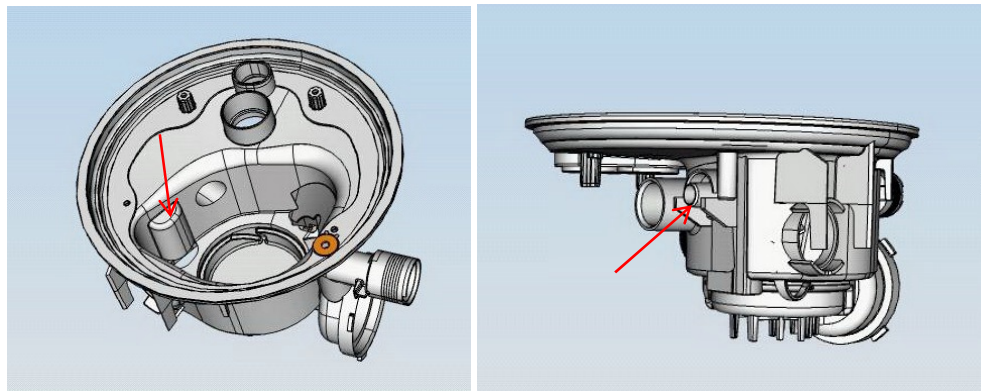
DESCRIPTION:

Starting from week 10/2015 (serial number 510xxx) there is available new solution for water sump. Sump has been modified by adding air trap to avoid contact of pressure sensor with dirty water. It is no longer necessary to change position of sensor by using adaptors and hose. Pressure sensor should be fixed directly to the sump.

OLD SOLUTION:



NEW SOLUTION:



SPARE PART NUMBER:

Old spare part code	New spare part code	Description
140000494199	140000494272	Water sump, assembly
140000494058	140000494272	Water sump, assembly
140000494066	140000494280	Water sump, assembly
140000494207	140000494280	Water sump, assembly
140000494017	140000494298	Water sump, assembly
140000494215	140000494298	Water sump, assembly
140000494025	140000494306	Water sump, assembly
140000494223	140000494306	Water sump, assembly

REVISION:

Revision	Date	Description	Author	Approved by - on
01	04/2016	Spare part updated	Marcin Łapa	Claudio Pigaiani
00	02/2015	Document Creation	Marcin Łapa	Claudio Pigaiani