

Touch control issue

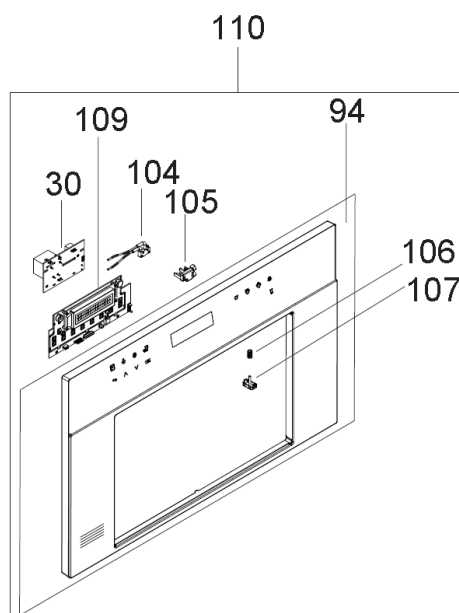
PNCs:

Model	PNC	PROD NO
EBC54503AX	942401200	0132272062
EBC54503OX	942401201	0132272063
MC463XE	942401202	0132272064

DATE: 2014-10

We inform You that, in the models above described, if You find any malfunction of the touch screen in the normal use of of the machine, eg for quitting the stand-by mode (there is no answer after used the touch commands), to solve the problem, it's necessary to replace the whole subgroup frame assembly (in the position 110 of the exploded view, look at the above drawing), with the spare part number:

- 1) **4055307278** for the type MC INT ELUX EBC54503AX-942401200 - 0132272062
- 2) **4055307286** for the type MC INT REX MC463XE-942401202 - 0132272064
- 3) **4055307294** for the type MC INT RU ELUX EBC54503OX-942401201 - 0132272063



Revision	Date	Description	Author	Approved by - on
00	10/2014	Document Creation	BLANKA KUCHARSKA NICOLA PADULA	B.K. 2014-10