



Accidental contact between bottom heater and back panel

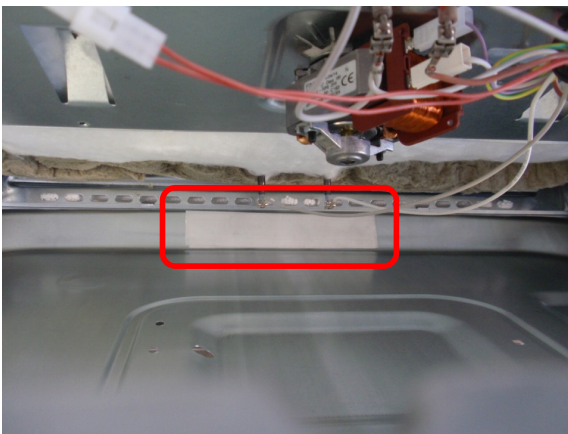
DESCRIPTION:

An accidental contact between bottom heater and back panel may occur in Sputnik ovens. This will lead to short circuit and discharge to ground. Possible result is shown on the picture below.

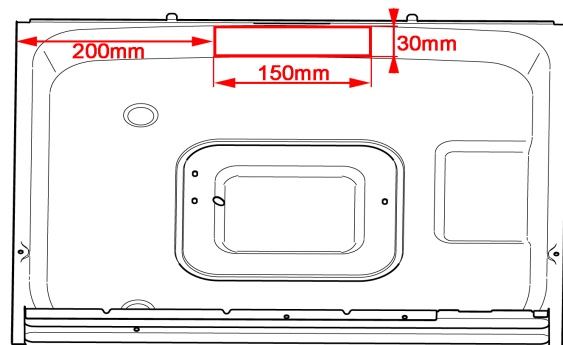


SOLUTION:

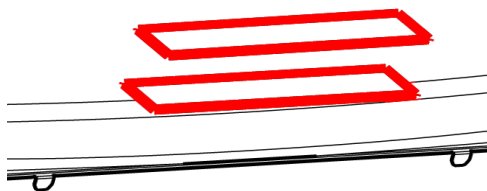
To prevent this there is a need to provide additional insulation in the area. Apply two overlapping layers of glass cloth electrical tape with silicone pressure-sensitive adhesive as shown on pictures:



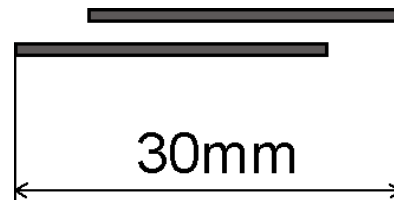
1. General placement overview



2. Approximate dimensions



3. Adhesive tape overlapping



SPARE PART NUMBER:

It is suggested to use 3M™ Glass Cloth Electrical Tape 69, 1 inch wide.
Available as spare part 4055291498.

MODELS INVOLVED:

This problem may occur in every Sputnik oven with heating elements or back panels mentioned below

Heating element
3879671000
3879671109

Back panel
3532429010
3532429036

REVISION:

Revision	Date	Description	Author	Approved by - on
00	05/2014	Document Creation	Marcin Kobialka	Mirko Capacci 2014-05-28