

© ELECTROLUX HOME PRODUCTS
Customer Care - EMEA
Training and Operations Support
Technical Support

Publication
number

599 77 39-10

EN

**ZTL90
Automatic
Washer**

SPECIFICATION

Power source	AC 220V, 50Hz
Overall dimension(Net dimension)	570(W) × 587(D) × 950(H)
Net weight	35kg
Power consumption	400W
Motor output	180W
Marked capacity of washing/spinning	9.0kg
Washing method	Automatic reverse turn
Water capacity	60 Liters
Water consumption	150 Liters (Regular wash cycle Water level: High)
Pulsator speed	170 rpm(DELICATE 60 rpm)
Spinner tub speed	850 rpm

Specification: Subject to change without notice.

ABNORMAL CONDITION

When the washer is abnormal, the washer stops as the every actions turns off, beep tone sounds ON-0.1 second and OFF-0.1 second for 6 seconds and number window LED display abnormal code and blink on and off. The washer judges the following six conditions as abnormal condition.

1) Abnormal condition of water supply

In supplying with water, the water level does not reach 1 level within 10 minutes or does not reach your chosen water level within 20 minutes from the water level of 1 level.

The number window LED display abnormal code: **E1** and begin blinking on and off at the same time and the electric buzzer sounds to indicate a problem.

2) Abnormal condition of drain

In draining, the water level does not go down below the reset level of the water level sensor within **10** minutes.

The number window LED display abnormal code: **E2** and begin blinking on and off at the same time and the electric buzzer sounds to indicate a problem.

3) Abnormal condition of spin-dry

- During rinse-the Safety switch will work 3times to correct unbalance ,if still unbalance, the number window LED display abnormal code: **E3** and begin blinking on and off at the same time and the electric buzzer sounds to indicate a problem.

- During spin-the Safety switch will work once to correct unbalance, the number window LED display abnormal code: **E3** and begin blinking on and off at the same time and the electric buzzer sounds to indicate a problem.

- The washer lid is opened.

The number window LED display abnormal code: **E4** and begin blinking on and off at the same time and the electric buzzer sounds to indicate a problem.

4) Abnormal condition of wash.

The number window LED display abnormal code: **E5** and begin blinking on and off at the same time and the electric buzzer sounds to indicate a problem.

5) Abnormal condition of water level sensor.

The water level sensor malfunctions.

The number window LED display abnormal code: **EA** and begin blinking on and off at the same time and the electric buzzer sounds to indicate a problem.

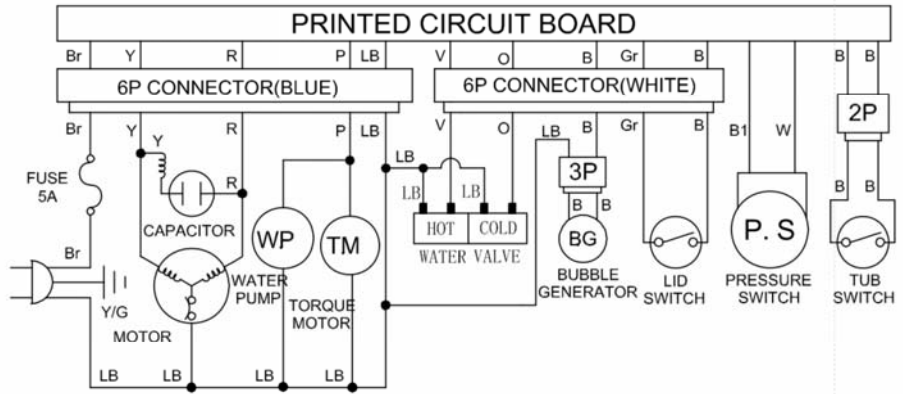
6) Abnormal condition of load sensor.

The number window LED display abnormal code: **EC** and begin blinking on and off at the same time and the electric buzzer sounds to indicate a problem.

CIRCUIT DIAGRAM

COLOR SYMBOL

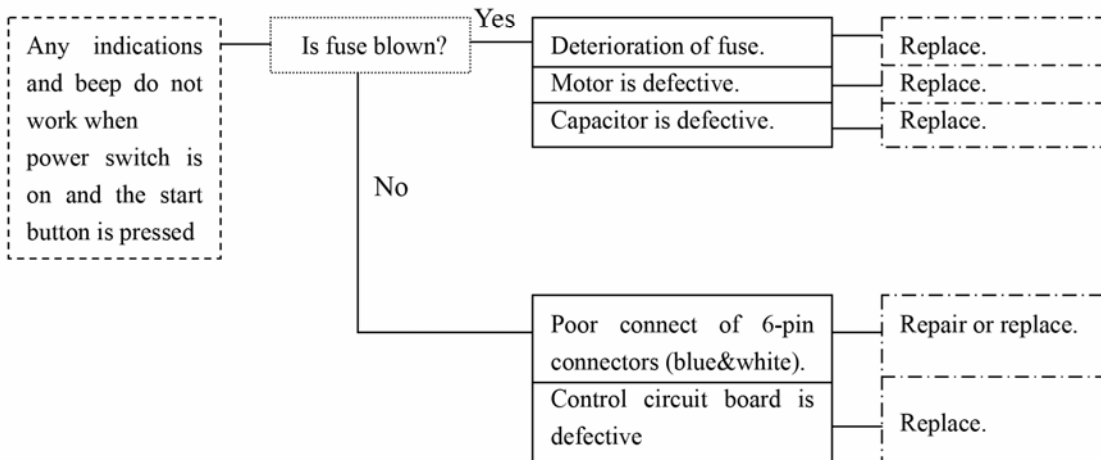
Gr	GRAY
Bl	BLUE
G	GREEN
B	BLACK
LB	LIGHT BLUE
Br	BROWN
O	ORANGE
P	PINK
R	RED
W	WHITE
Y	YELLOW
V	VIOLET



TROUBLE SHOOTING

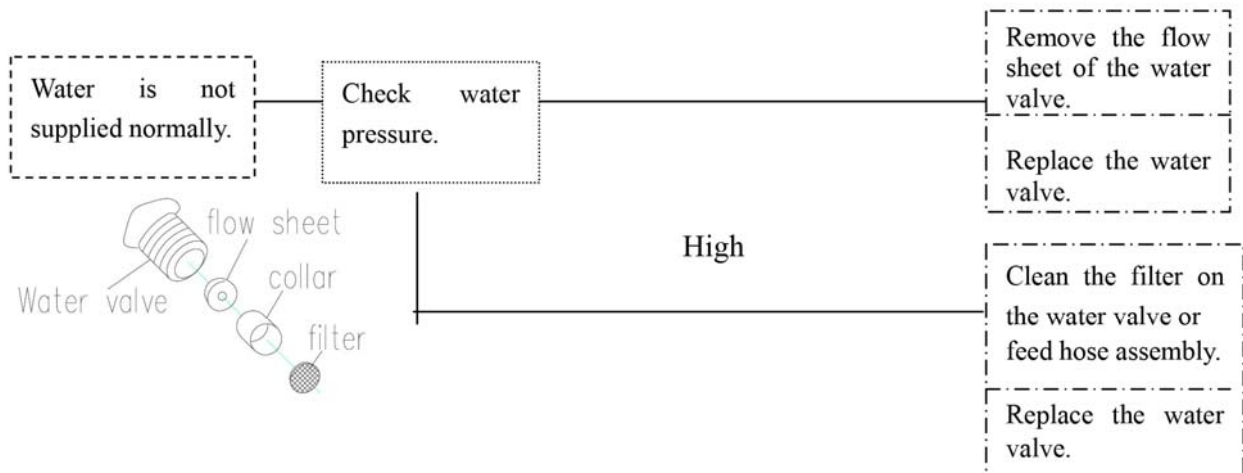
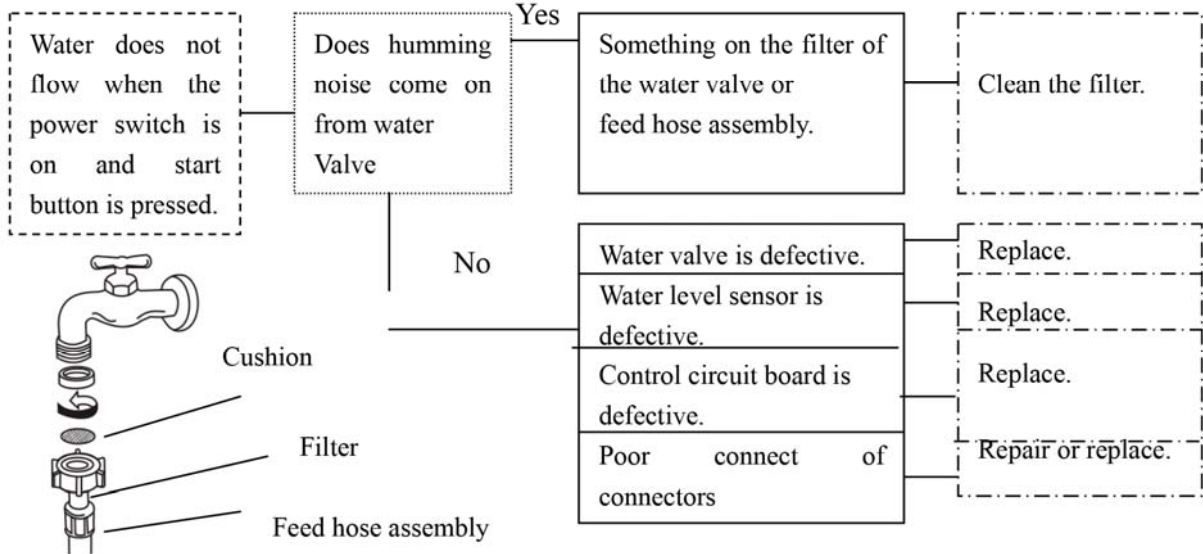
TROUBLE	INSPECTION	CAUSES	REMEDY
---------	------------	--------	--------

a. Power Source

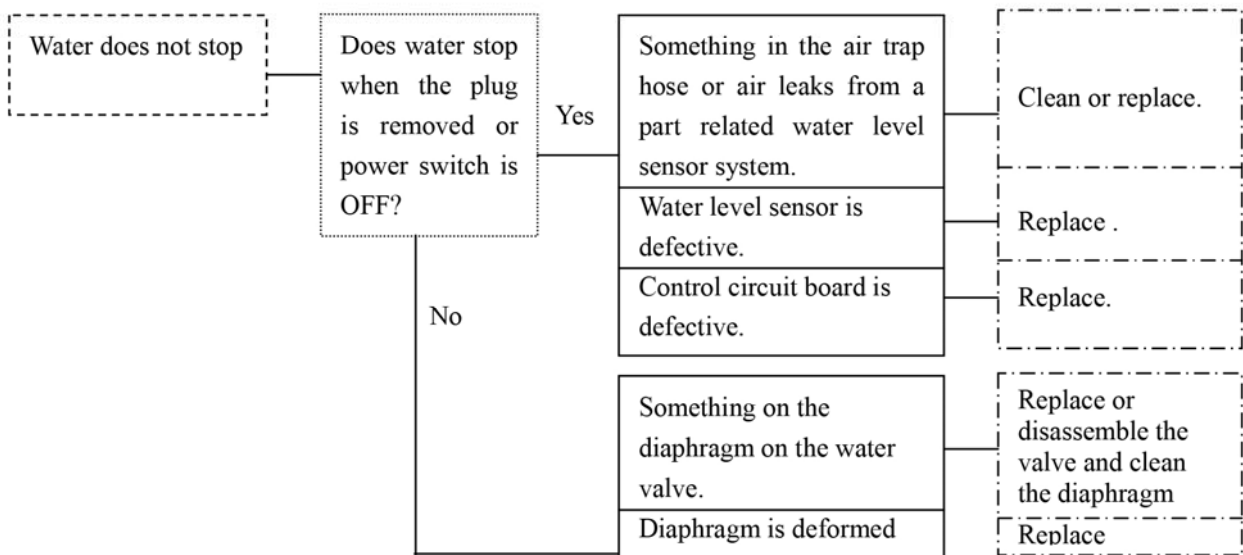


TROUBLE	INSPECTION	CAUSES	REMEDY
---------	------------	--------	--------

b. Water Supply

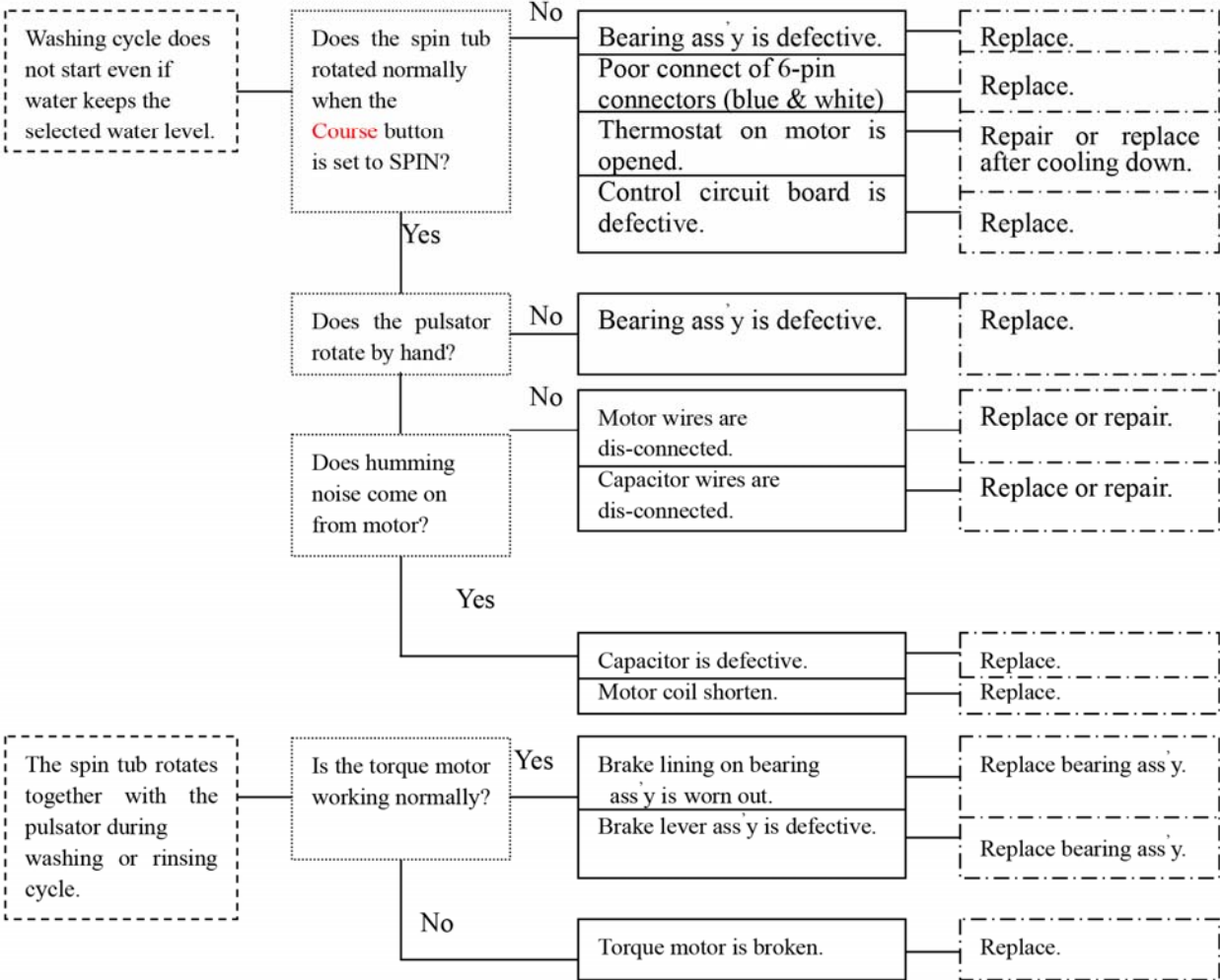


Note: When removing the flow sheet, reinstate the filter in place correctly.



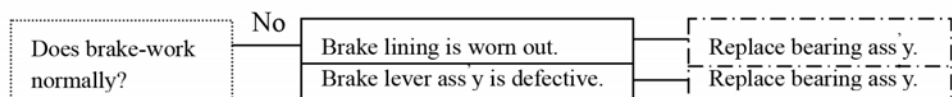
TROUBLE	INSPECTION	CAUSES	REMEDY
---------	------------	--------	--------

c. Wash/Rinse

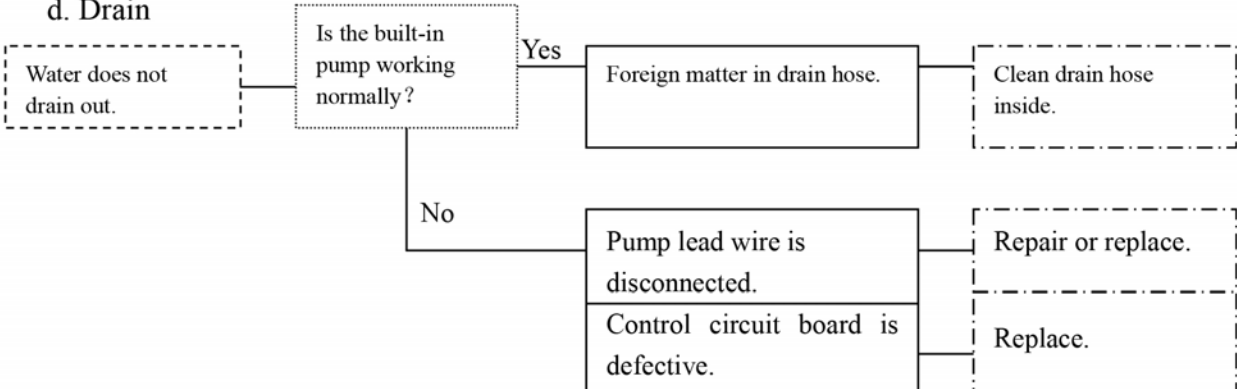


Note:

Break-work is normal when spin tub stops within 10 sec. under no-load.



d. Drain



TROUBLE	INSPECTION	CAUSES	REMEDY
---------	------------	--------	--------

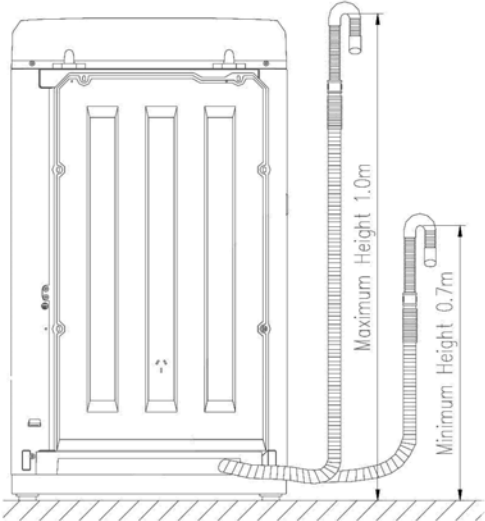
Drain takes time too long.

Note: In draining, the water level sensor can not reset in 10 minutes.
The number window LED display abnormal code: E2 and begin blinking on and off at the same time and the electric buzzer sounds to indicate a problem.

- Drain hose ass'y is deformed.
- Hose is connected in the wrong way.
- Hose is too long or position of hose is too high.

- Repair or replace.
- Repair.
- Repair.

- If the Drain Hose is too long or high, water may overflow during the rinsing cycle or make rinsing or draining impossible.
- The built-in pump is capable of discharging water to a maximum height of 1.0 meters and minimum height of 0.7 meters.
- The pump makes a noise at the starting.
If you want to reduce the noise, please raise the opening end of the Drain Hose above the floor 1 meter or more.
The pump makes an idling noise during washing.
This is normal.



e. Spin Drying

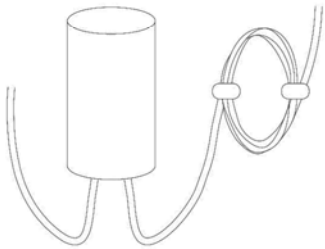
Spin drying cycle does not work.

Does safety device work?
Yes
No

Machine inclines.

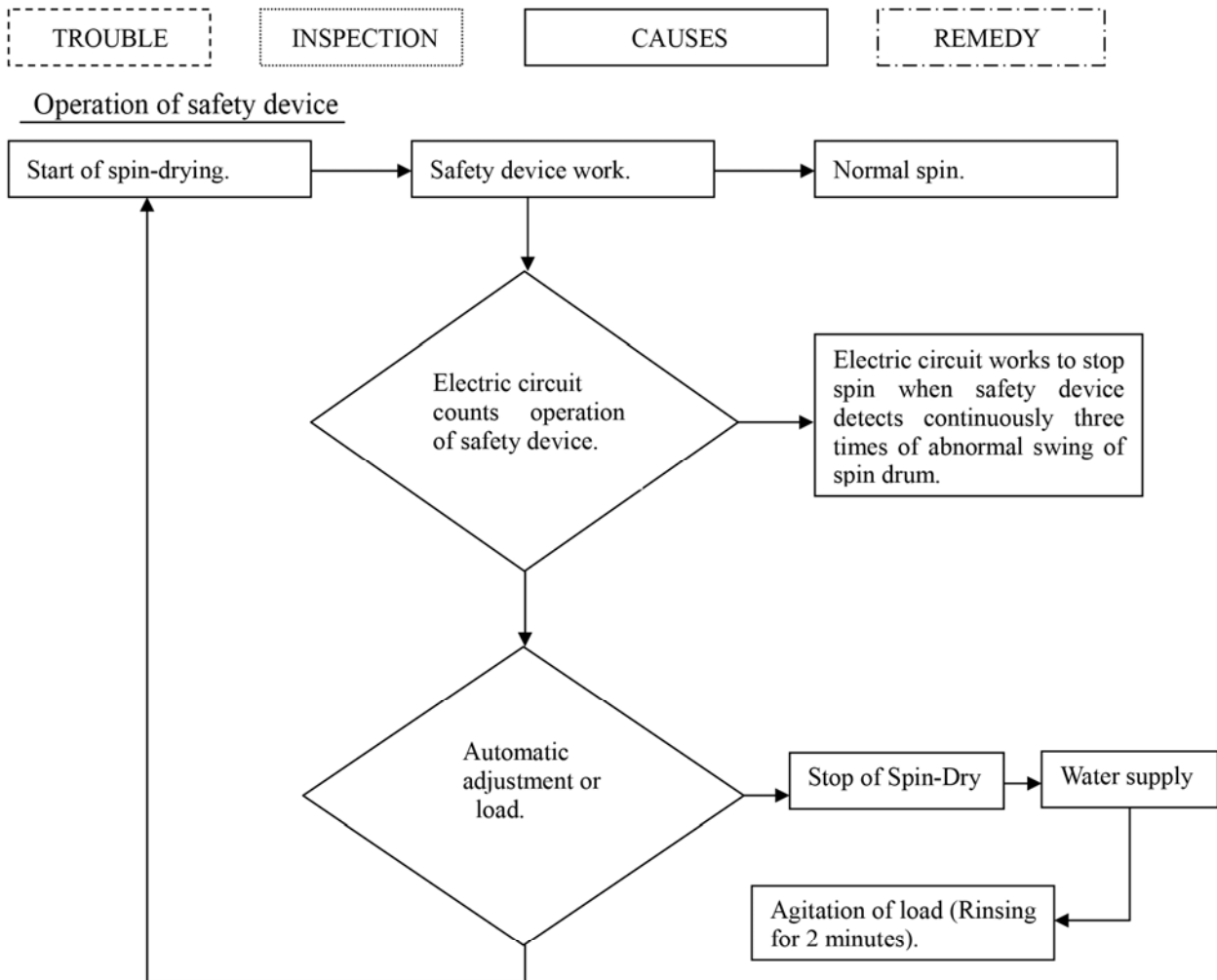
Replace with level.

Note:
1. The safety switch works 3 times continuously. The number window LED display abnormal code: E3 and begin blinking on and off at the same time and the electric buzzer sounds to indicate a problem.
2. Do not disconnect the wire from the capacitor, because this wire acts as de-pressing noise from outside to the micro-computer.



- The V-belt is slipping.
- The V-belt is snapped.
- Small pulley mounting screw is loosed.
- Motor is disconnected or burnt.
- Capacitor is broken or disconnected.
- Bearing ass'y is defective.
- Torque motor is defective.
- Brake lever is defective.
- Thermostat on motor is opened.
- Poor contact of 6-pin connectors (blue & white).
- Control circuit board is defective.

- Adjust the motor position.
- Replace.
- Tighten up.
- Replace.
- Replace.
- Replace.
- Replace.
- Repair or replace.
- Repair or replace after cooling down.
- Repair or replace.
- Replace.

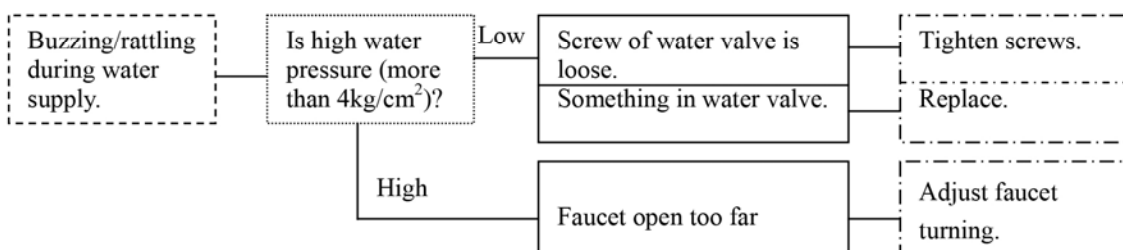


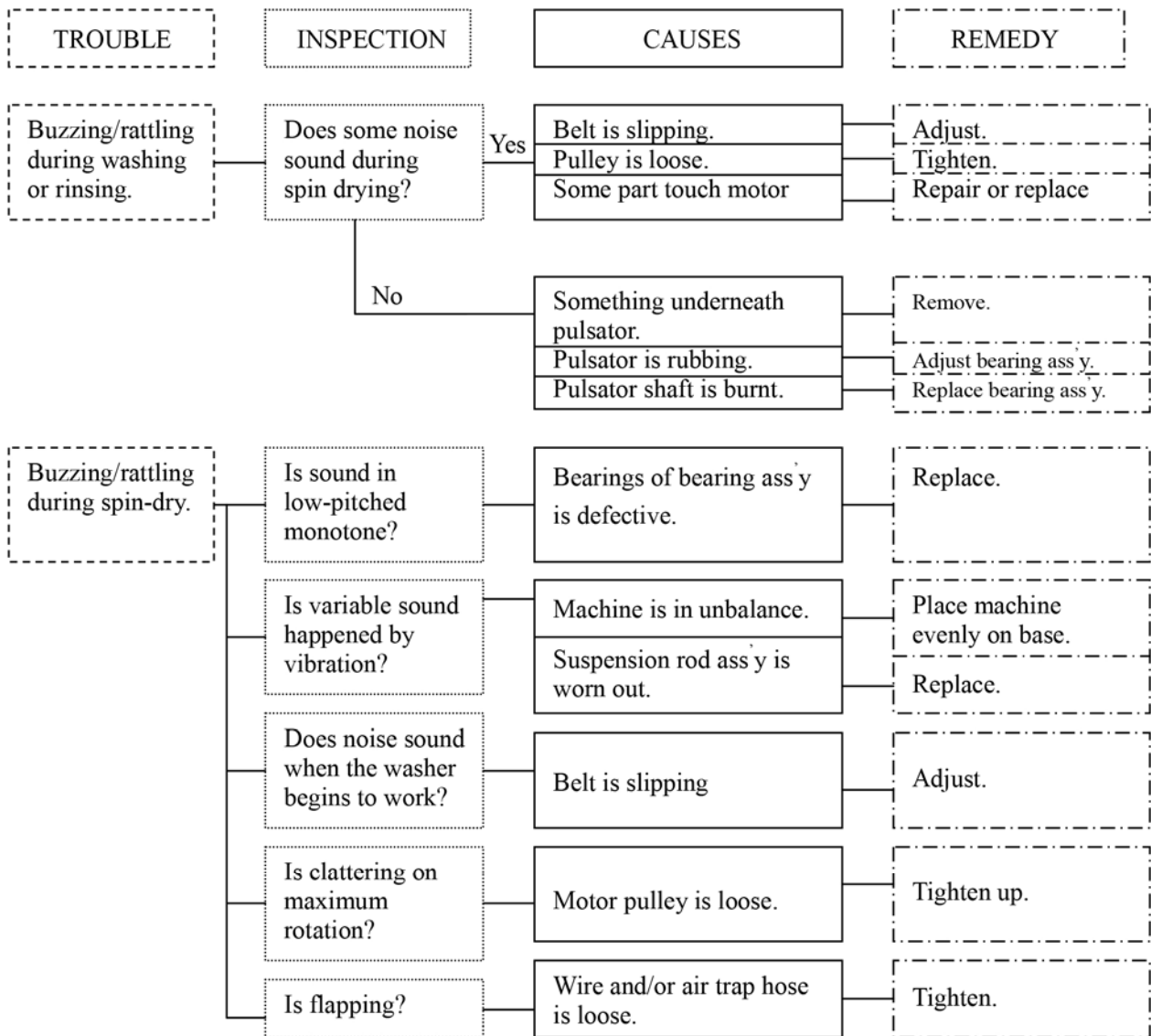
When the safety device works by abnormal swing of spin drum, machine works automatically to stop Spin-Dry cycle and operates water supply valve to pour water into the Wash/Spin Tub and then starts washing cycle for replacing washing clothes evenly.

After above operation has down twice, if safety device works again, machine will stop, and the number window LED display abnormal code: $E3$ and begin blinking on and off at the same time and the electric buzzer sounds to indicate a problem.

- Open the Wash Lid and rearrange the clothes evenly around the Wash/Spin Tub.
- Close the Wash Lid and press the START/PAUSE button again.

f. Buzzing and rattling





PART LIST

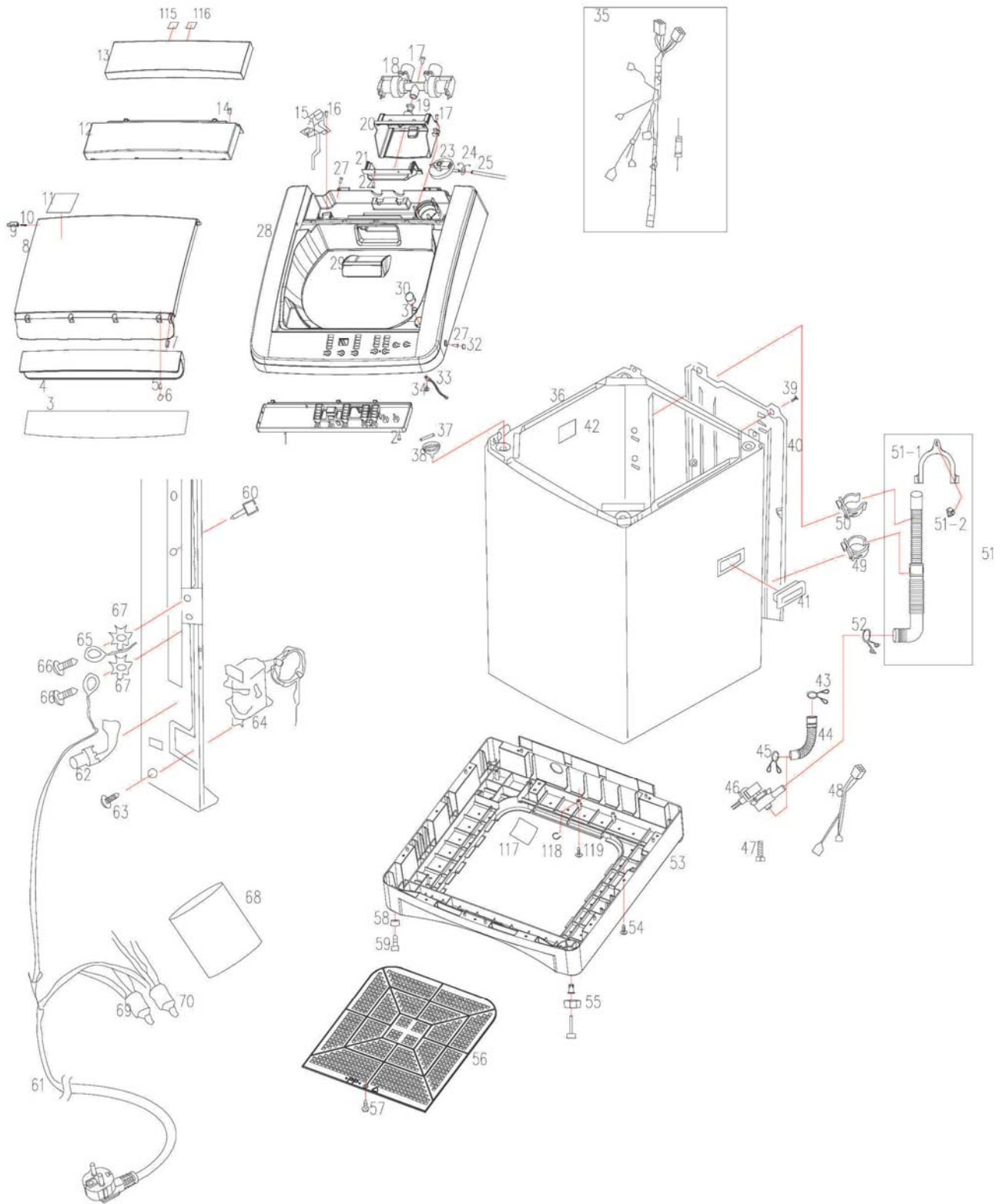
Key No.	Part No.	Description	Qty
1	New	Control Circuit Board Complete	1
2	ST1TN40160SE	SCR 4×16	7
3	301217575C140	Panel & stickers	1
4	New(丝印文字不同)	Lid Handle	1
5	ST1TN40120UK	SCR 4×12	4
6	3012160516140	Screw Lid	4
7	3014201S02140	magnet	1
8	3012160387040	Washer Lid	1
9	3012160613140	Hinge Shaft	1
10	3012160717140	Lid Spring	1
11	301213171E140	Notice Label	1
12	3012175120043	Back Plate B	1
13	3012175119040	Back Plate A	1
14	ST1TN40120SE	SCR 4×12	2
15	3010571005140	Safety Device Switch1	1
16	ST1TN40140SE	SCR 4×14	2

17	ST1TN40140SE	SCR 4×14	3
18	3014294S17140	Valve Assembly(Water Valve)	1
19	3012212701140	Water Valve tie_in	1
20	3012317213040	Pour Inlet	1
21	3012317317040	Baffle Plate Of Pour Inlet	1
22	ST1TN40100UK	SCR 4×10	4
23	3014291S03140	Response Switch(Water Level Sensor)	1
24	3012334002140	Hose Band	2
25	3012324205140	Air Trip Hose	1
26	3012143414140	Cushion	1
27	ST1TN40120SE	SCR 4×12	4
28	3012160128040	Top Plate	1
29	3012256120041	Detergent Tray	1
30	3012161201140	Gradienter Cover	1
31	3010161101140	Gradienter	1
32	3012160510142	Screw Cap	2
33	3014292S04140	Reed Switch	1
34	3012912223140	Special Screw	1
35	3012851596140	Wire bunch	1
36	3010111034047	Frame Complete	1
37	3012914201140	Stopping Pin (辅料, Bom 中不出现)	4
38	3012234201140	Spring Damper Base (辅料, Bom 中不出现)	4
39	3012912223140	Special screws	7
40	3012122201141	Back Cover	1
41	3012122101141	Frame Handle	2
42	3012143408140	Cushion	2
43	3012334001140	Hose Band	1
44	3012324828140	Drain Hose Assembly (Inside)	1
45	3012334006140	Hose Band	1
46	3014535S02140	Pump	1
47	3012912201140	Screw Assembly	2
48	3012851514140	Pump Wire	1
49	3012324919140	Drain Hose Stay	1
50	3012324916140	Drain Hose Stay	1
51	3010325101140	Drain Hose (Outside)	1
51-1	3012324924140	Hose Hanger (以组件形式供货, bom 中不出现, 同下)	1
51-2	3012324925140	Hook in Drain Hose	1
51-3	3012324815140	Drain Hose	1
52	3012334006140	Hose Band	1
53	3012152313140	Leg	1
54	ST1TN40120SE	SCR 4×12	8
55	3010143002140	Adjuster Assembly	1
56	3012234302040	Sound-Proof Board	1
57	ST1TN40140SE	SCR 4×14	1
58	3012143401140	Cushion	3

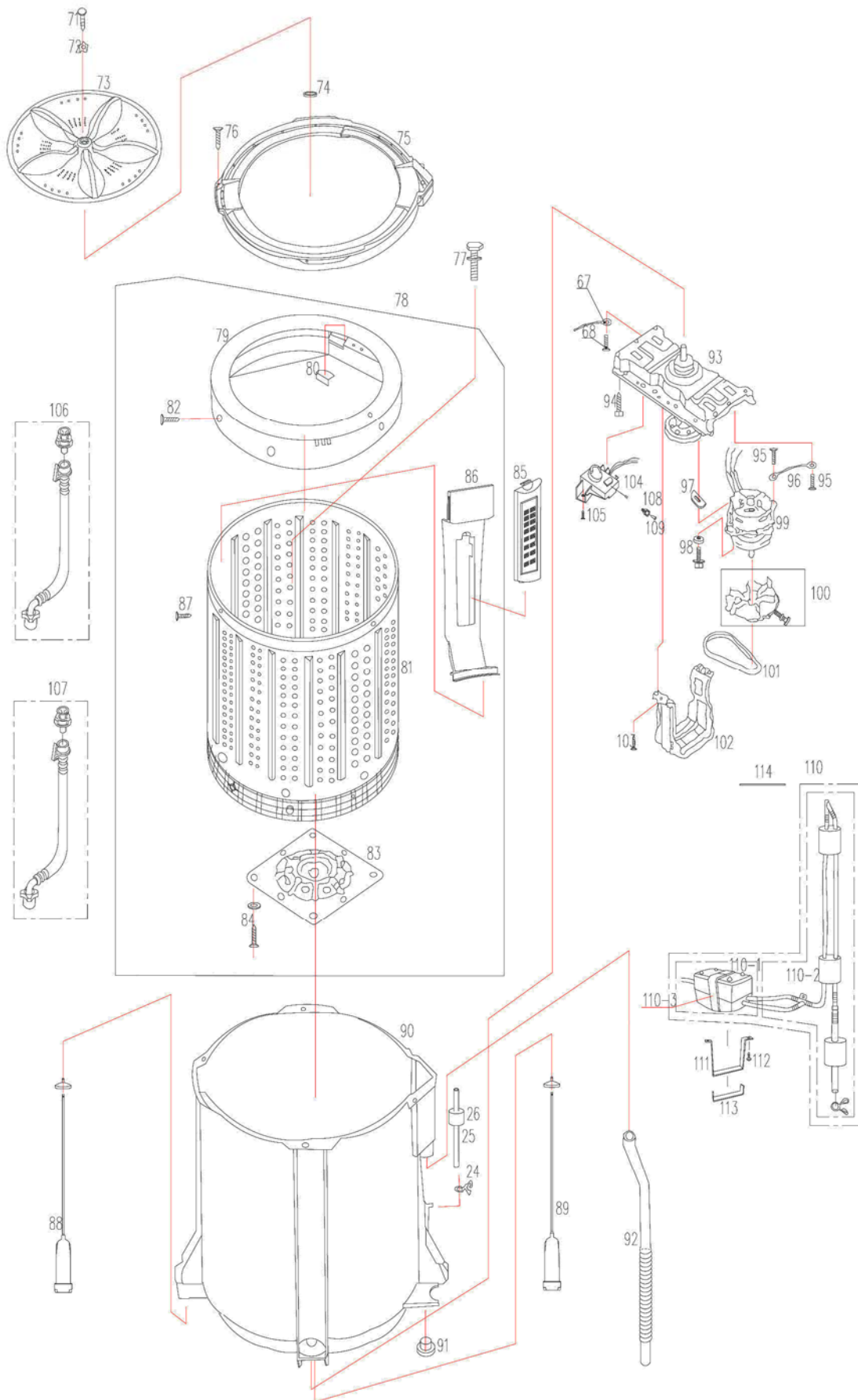
59	ST2TN60200SE	SCR 6×20	3
60	3012152503140	Lead Stay	2
61	3010812010140	Cord Assembly(E2)	1
62	3012152501140	Cord Stay	1
63	ST1TN40100SE	SCR 4×10	1
64	3010868001140	Capacitor Assembly(11.5μF/450V Ac)	1
65	3010856501140	Earthing Wire Assembly	1
66	SFSPG40100SA	SCR 4×10A	3
67	SVCNN40KA---	Washer SPR 4	2
68	3012813007140	Part Bag	1
69	3012871103140	Compressed Connector	4
70	3012871102140	Compressed Connector	1
71	3012411301140	Pulsator Screw	1
72	3012411401140	Pulsator Screw Washer	1
73	3012411004144	Pulsator	1
74	3012411501140	Pulsator Washer	1
75	3012221201143	Outer Tub Cover	1
76	ST1TN40140SE	SCR 4×14	4
77	3012912202140	Special Screw	4
78	3010240020040	Spin Tub Complete	1
79	3010240104043	Balance Weight Assembly	1
80	3012241205140	Cap	1
81	3010241109043	Spin Tub Assembly	1
82	ST1TN50210UK	SCR 5×21K	6
83	3012240205140	Spin Tub Boss	1
84	3010912305140	Boss Screw Assembly	8
85	3010212305144	Lint filter Assembly	1
86	3012324516141	Circulate Hose	1
87	ST1TN40120UK	SCR 4×12K	4
88	3010234419140	Suspension Rod Complete	3
89	3010234420140	Suspension Rod Complete (Motor Side)	1
90	3012221101040	Outer Tub Drum	1
91	3012212202140	Drain Pipe	1
92	3012324111140	Overflow Hose	1
93	3010420003140	Bearing Assembly	1
94	3012912208140	Special Screw 6×30	4
95	SFSPG40100SA	SCR 4×10A	2
96	3010856505140	Earthing Wire Assembly (L=55mm)	1
97	3012915202140	Insulator Plate	2
98	3010912304140	Screw Assembly	2
99	20118001	Motor Complete (自制电机)	1
100	3010412501140	Motor Pulley	1
101	3012991701140	V-Belt	1
102	3010152302140	Motor Angle Holder Assembly	1
103	3012912209140	Special Screw	4

104	3014264S10140	Torque Motor	1
105	3012912207140	Special Screw	2
106	3010325405140	Feed Hose Assembly (cold water)	1
107	3010325407140	Feed Hose Assembly (hot water)	1
108	3012342703140	Connector	1
109	ST1TN40100SE-	SCR 4×10	1
110	3010350302040	Ultrasonic Pump Complete	1
110-1	3010351102140	Ultrasonic Pump Assembly	1
110-2	3010323902140	Air Trip Hose Complete	1
110-3	3012143417140	Cushion	1
111	3012152509140	Ultrasonic Pump Assembly Stay	1
112	3012912213140	Special Screw M5×20	1
113	3012143408140	Cushion	1
114	3012152510140	Lead Stay SWM-G D0.8X115L	3
115	301213176A140	Cold Water Label	1
116	301213176B140	Hot Water Label	1
117	3012143445240	Cushion	1
118	4322892102140	Wire Guides	1
119	ST1TN40140SE	SCR 4×14	1

Exploded View (1)



ExplodedView (2)



TEARDOWN SECTION

This section will describe how to remove components from a top load washer. Unless stated, the procedure will be the same on all top load washers, Unless stated, reverse the procedure to reinstall the component.

Warning: Always remove electrical power from the washer when working in an area where electrical power is present.

Removing the washer lid



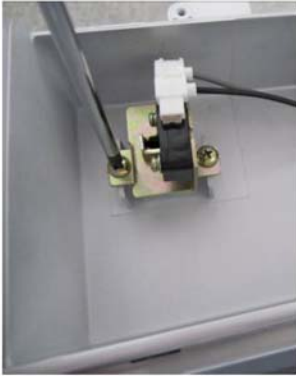
Open the washer lid, move the hinge shaft on the washer lid with slotted screwdriver, then remove the washer lid.

Removing the back plate



First use cross-style screwdriver to demount the two screws fixed on the back plate. Then use slotted screwdriver to warp the back plate assembly, and sway the back plate assembly gently, then the back plate assembly can be removed.

Removing the safety device switch



Use cross-style screwdriver to demount the two screws fixed on the safety device switch, pull out the jack, draw the safety device switch out from the slot.

Removing the pour inlet assembly



First draw out the detergent tray, then use cross-style screwdriver to demount the two screws fixed on the pour inlet assembly, pull out the jack, draw the pour inlet assembly from the step surface.

Removing the water level sensor



Warp the fastener on the top plate, pull out the jack and air trip hose, then draw the water level sensor out from the top plate.

Removing the control circuit board complete



First open the zygomorphic screw cap on the top plate, then demount the two screws by cross-style screwdriver. Second demount the two screws behind the top plate, slant the top plate, demount the seven screws on the control circuit board complete, pull out the jack, then the control circuit board complete can be removed.

Removing the reed switch



Use cross-style screwdriver to demount the special screw fixed on the reed switch, pull out the jack, then the reed switch can be removed.

Removing the top plate

Complete all the previous steps, draw out the wire bunch, the top plate can be removed without difficulty.

Removing the pump



Use the sleeve spanner to demount the two screw assembly under the leg, pull out the pump wire assembly, then the pump can be removed.

Removing the motor complete and the motor pulley



First of all, the outer tub drum assembly must be removed. Demount the two screw assembly on the motor complete, then the motor complete is demounted.

At the same time, the motor pulley is removed for it is connected with the axis of the motor.

Revisione	Data	Descrizione	Autore	Approvato da:
00	01/2014	Creazione documento	DMM	XX – 0X/201X