

### BREAKING OF THE EXTERIOR GLASS OVEN DOOR ON THE OVENS "APOLLO"

#### FAULT DESCRIPTION:

External glass oven door broken on ovens "Apollo".

#### POSSIBLE CAUSE:

The cause of the fault may consist in the interference of the oven door with the built-in furniture during the opening of the door, due to incorrect size of the built-in spaces.

#### CHECK:

Verify if the distance between the underside of the appliance and the front part of the cabinet is less than 3 mm (see Fig. 1). If this distance is less than 3 mm must be lifted to the appliance otherwise the oven door touches the furniture during movement (see Fig. 2).

In these cases, the glass may be weakened and may break after a short period of use (may be even after a month).

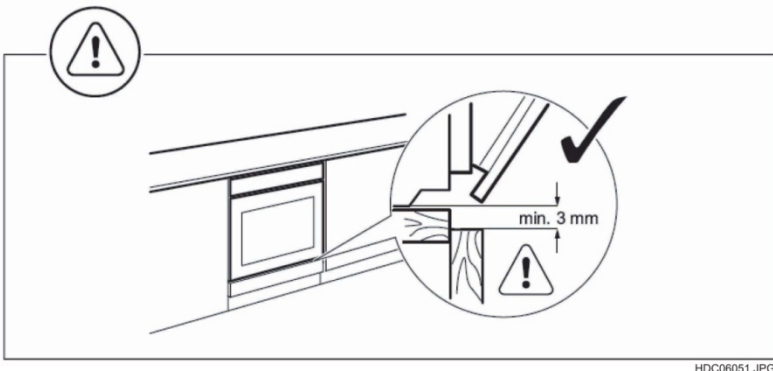


Fig. 1



Fig. 2

#### SOLUTION:

To avoid the interference of the oven door with the cabinet is necessary to lift the appliance.

Therefore, one must make sure that the door does not touch the furniture, and this can be done by the following lower spacers (see Fig 3 and 4) in the kit code **944 18 93-81 / 6 (\*)**.

It is however possible to use other spacer with a height of about 3 mm.

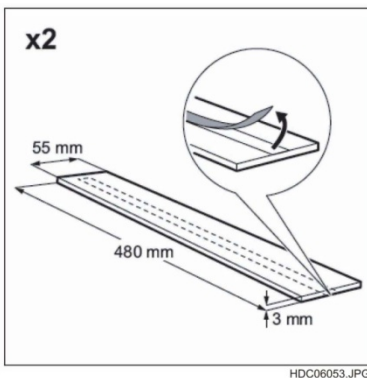


Fig. 3

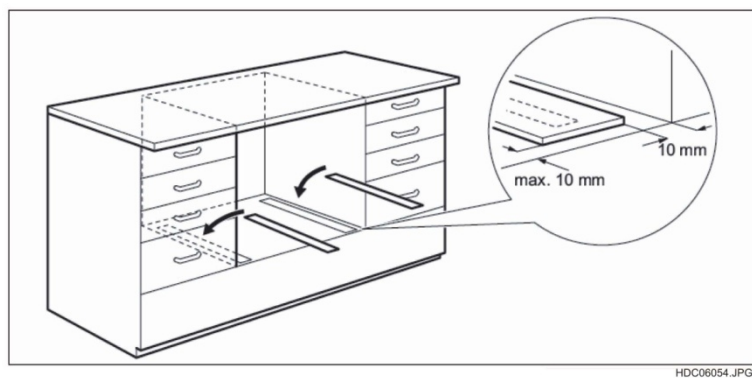


Fig. 4

(\*) **NOTE:** The kit is also available at our sales network with the PNC **944 189 381**.

#### AFFECTED MODELS:

The PNC concerned are those of all the structure "Apollo" which are linked to this document .

#### REVISION:

| Revision | Date    | Description       | Author | Approved by - on |
|----------|---------|-------------------|--------|------------------|
| 00       | 05/2013 | Document Creation | FV     |                  |