

### COOLIG FAN DOES NOT WORK ON THE "APOLLO" OVENS WITH "UMPD" TIMER

#### FAULT DESCRIPTION:

In the "Apollo" ovens with "UMPD" Timer the cooling fan does not work.

#### POSSIBLE CAUSE:

The cause of the fault may consist of a connection error in the Timer "UMPD".

#### CHECK:

Verify that the connections L (1) and N (2) of the Timer "UMPD" are not reversed (see Fig. 3 and 4).

#### SOLUTION:

If the connections are not as shown in the wiring diagram (see Fig. 1 and 2) restore the connections properly.

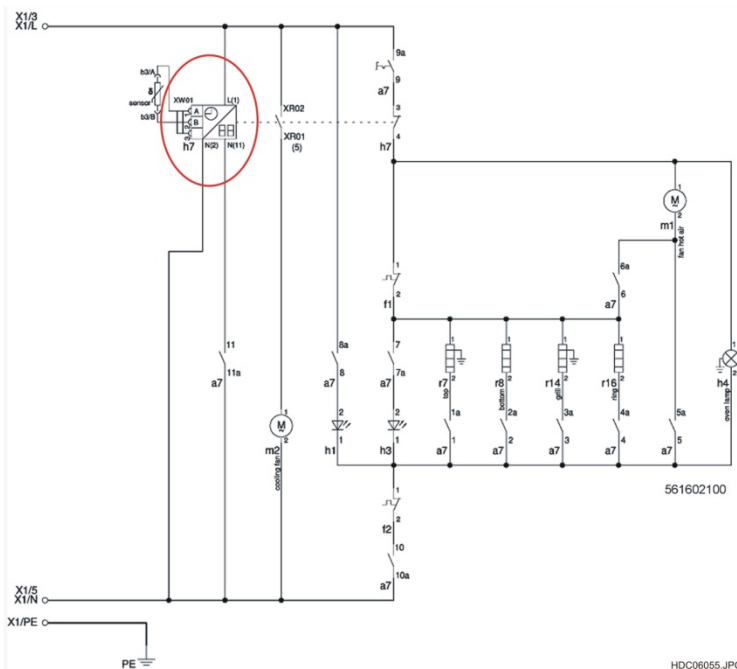


Fig. 1

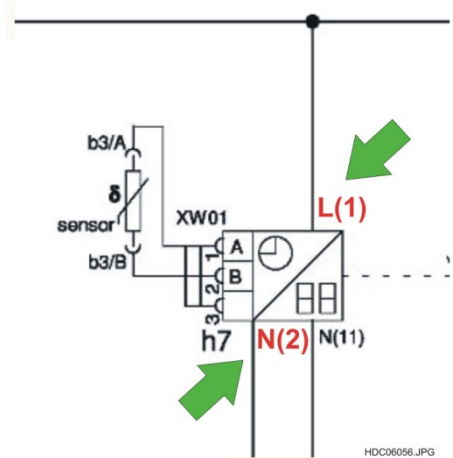


Fig. 2

#### CORRECT CONNECTION

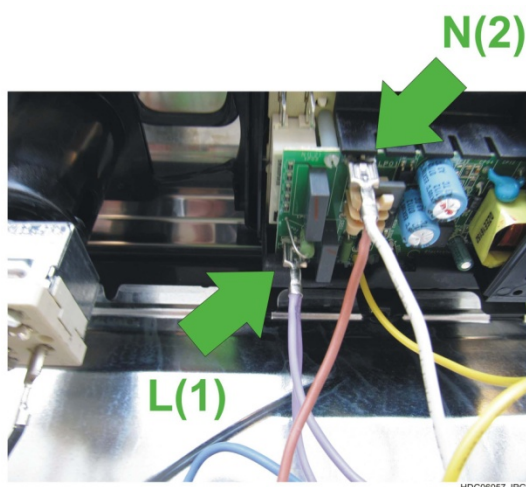


Fig. 3 - Wires violet + violet (L) in point 1 and wires white + brown (N) in point 2.

#### WRONG CONNECTION

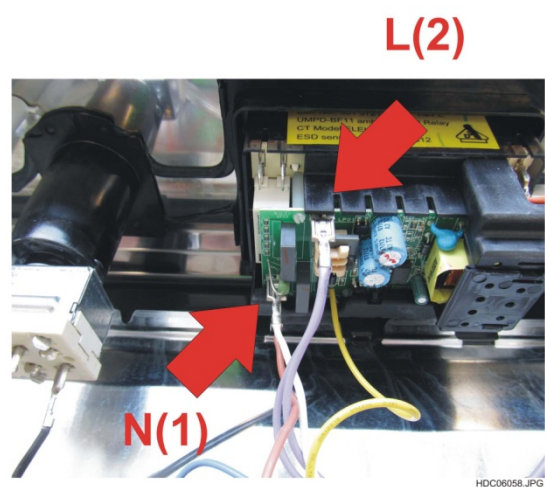


Fig. 4 - Wires white + brown (N) in point 1 and wires violet + violet (L) in point 2.

**AFFECTED MODELS:**

The PNC concerned are those of the "Apollo" structure with "UMPD" Timer that are linked to this document.

**REVISION:**

Revision	Date	Description	Author	Approved by - on
00	05/2013	Document Creation	FV	