

Signal of the Touchpad disturbed by the “Metal protection for steam”

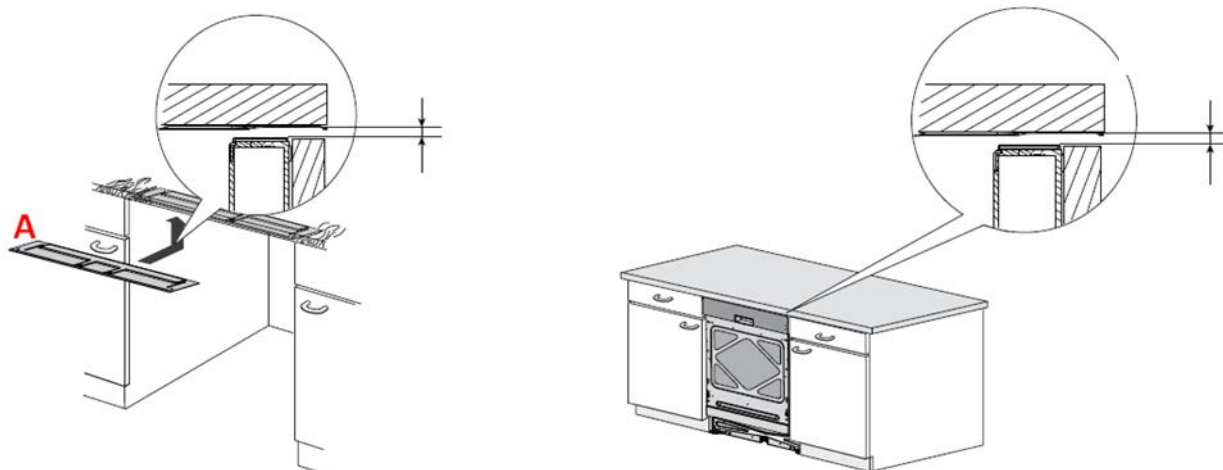
DESCRIPTION:

In some occasion has been detected a bad functioning of the “Electronic Touchpad” of the dishwashers due to the metal protection for steam (A) (Stainless Steel or Aluminium foil) that creates a false impulse to the electronic

The problem happens only in the “Fully Integrated”_dishwashers, if the metal protection for steam under the worktop of the kitchen is present and if the distance between the “touchpad” and the metal protection is less than 4mm when the door is closed

SOLUTION:

- a) Remove the metal protection for steam
- Or
- b) Increase the distance between the Touchpad and the metal protection



To protect the kitchen worktop, in alternative to the metal steam protection, an “Adhesive Plastic foil” is available. It avoids any kind of disturb signal of the Electronic

Spare Part Code plastic steam protection: 807201001

MODELS INVOLVED:

PNC/MODELS WITH EDW1953 ELECTRONIC (TOUCH USER INTERFACE)

60cm	911437001
	911437002
	911437003
	911437004
	911437005
	911437006
	911437007
	911437008
	911437009
	911437010
	911437012
	911437014
	911437015
	911437017
	911437020
	911437021
	911437022
	911437023
	911437024
	911437025
	911437026
	911437027
	911437028
	911437029
911437030	
911437031	
911447010	
45cm	911677001
	911677002
	911677003

REVISIONS:

Revision	Date	Description	Author	Approved by - on
00	01/2013	Document Creation	OW	PC