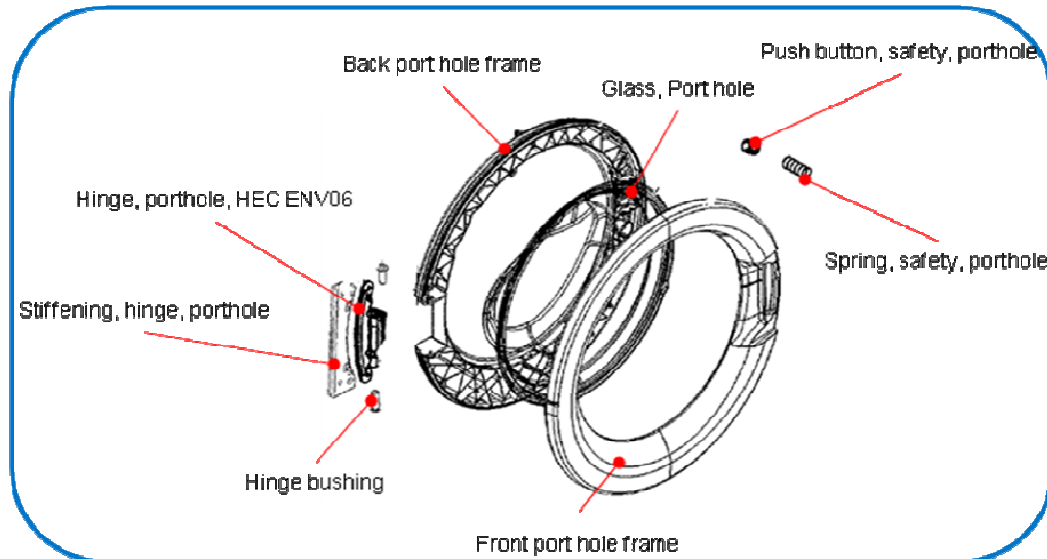


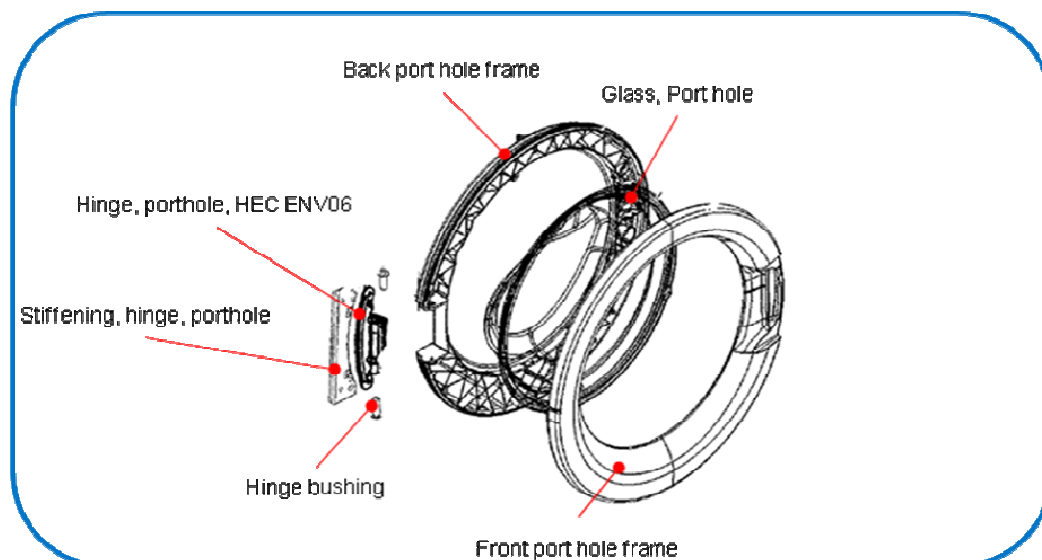
Products for Washer machine (Prometeo platform) has been changed the COMPLETE DOOR ASSY structure Part number 147129020. Change detail identified below.

Change Details

- Existing COMPLETE DOOR ASSY



- New COMPLETE DOOR ASSY (Remove Safety button)



Currently BOM

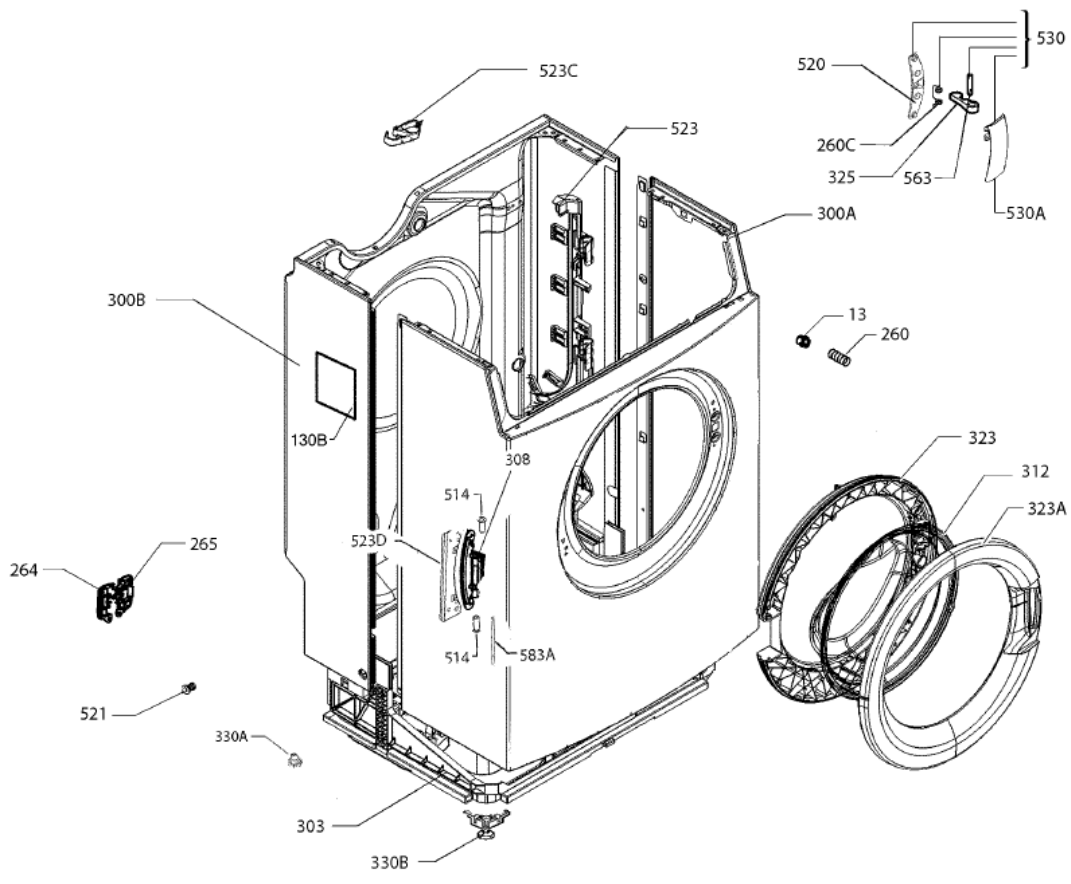
Level	ANC	Description	Q'ty	Unit	Type
2	132548500	FRONT PORTHOLE FRAME	1	EA	P
2	132518401	BACK PORTHOLE FRAME	1	EA	P
2	132016301	SAFETY BUTTON PUSH BUTTON OPENING	1	EA	P
2	124067313	SPRING	1	EA	P
2	132548600	PORTHOLE HANDLE	1	EA	P
2	124013721	DOOR LATCH	1	EA	P
2	124013811	DOOR LATCH PIN	1	EA	P
2	124013912	DOOR LATCH SPRING	1	EA	P
2	132656600	DOOR GLASS	1	EA	P
2	132502310	PORTHOLE HINGE	1	EA	P
2	110825500	DOOR HINGE PIN	1	EA	P
2	132002600	BUSHING	2	EA	P
2	519097016	Screw 5*16TTL	8	EA	P

New BOM

Level	ANC	Description	Q'ty	Unit	Type
2	132548500	FRONT PORTHOLE FRAME	1	EA	P
2	132518450	BACK PORTHOLE FRAME	1	EA	P
2	132548600	PORTHOLE HANDLE	1	EA	P
2	124013721	DOOR LATCH	1	EA	P
2	124013811	DOOR LATCH PIN	1	EA	P
2	124013912	DOOR LATCH SPRING	1	EA	P
2	132656600	DOOR GLASS	1	EA	P
2	132502310	PORTHOLE HINGE	1	EA	P
2	110825500	DOOR HINGE PIN	1	EA	P
2	132002600	BUSHING	2	EA	P
2	519097016	Screw 5*16TTL	8	EA	P

Spare part changed list

Position	Part Detail	From		To	
		ANC	Q'ty (ea)	To	Q'ty (ea)
13	Push button, safety, porthole	1320163007	1	-	-
260	Spring, safety, porthole	1240673135	1	-	-
308	Hinge, porthole, HEC ENV06	1325023107	1	1325023107	1
312	Glass, porthole	1326566005	1	1326566005	1
323	Frame, back, porthole	1325184016	1	1325184016	1
323A	Frame ,front, porthole	1325485009	1	1325485009	1
514	Hinge bushing	1320026006	1	1320026006	1
523D	Stiffening, hinge, porthole	1325022000	1	1325022000	1
563A	Hinge pin, 101mm	1108255009	1	1108255009	1



Affected PNC

PNC	Model Name	Region	PLC Revision
914579835	ZWG2100P FRONT LOAD WASHER	EU	01
914579836	ZWG2120P FRONT LOAD WASHER	EU	01
914579837	ZWG2120P FRONT LOAD WASHER	EU	01
914579838	ZWG1100P FRONT LOAD WASHER	EU	01
914579839	ZWG1100P FRONT LOAD WASHER	EU	01
914579840	ZWG1120P FRONT LOAD WASHER	EU	01
914579841	ZWG1121P FRONT LOAD WASHER	EU	01
914579842	FWG1125P FRONT LOAD WASHER	EU	01
914579843	ZWG1121P FRONT LOAD WASHER	EU	01
914579844	FWG1121P FRONT LOAD WASHER	EU	01
914579845	ZWH7120P FRONT LOAD WASHER	EU	02
914579846	FWH7120P FRONT LOAD WASHER	EU	02
914579847	ZWH5100P FRONT LOAD WASHER	EU	02
914579848	ZWH5120P FRONT LOAD WASHER	EU	02
914579849	ZWH6100P FRONT LOAD WASHER	EU	02
914579850	FWH6100P FRONT LOAD WASHER	EU	02
914579851	ZWH6120P FRONT LOAD WASHER	EU	02
914579852	FWH6120P FRONT LOAD WASHER	EU	02
914579854	ZWH6120P FRONT LOAD WASHER	EU	02
914579857	FWH6140P FRONT LOAD WASHER	EU	02
914579858	FWH7140P FRONT LOAD WASHER	EU	02
914579859	PWH71062 FRONT LOAD WASHER	EU	02
914579868	ZWH6121P FRONT LOAD WASHER	EU	02
914579869	ZWH6101P FRONT LOAD WASHER	EU	02
914579870	FWH6125P FRONT LOAD WASHER	EU	02
914579871	FWH6145P FRONT LOAD WASHER	EU	02
914579881	ZWH6140P FRONT LOAD WASHER	EU	01
914579895	ZWG2100P FRONT LOAD WASHER	EU	01
914579896	ZWH7120P FRONT LOAD WASHER	EU	02
914579897	FWH6122P FRONT LOAD WASHER	EU	02
914579898	FWG1122P FRONT LOAD WASHER	EU	01

REVISIONS:

Revision	Date	Description	Author	Approved by - on
00	08/2012	Document Creation	Wodzislawski Lucjan	Nattawat Rattasri