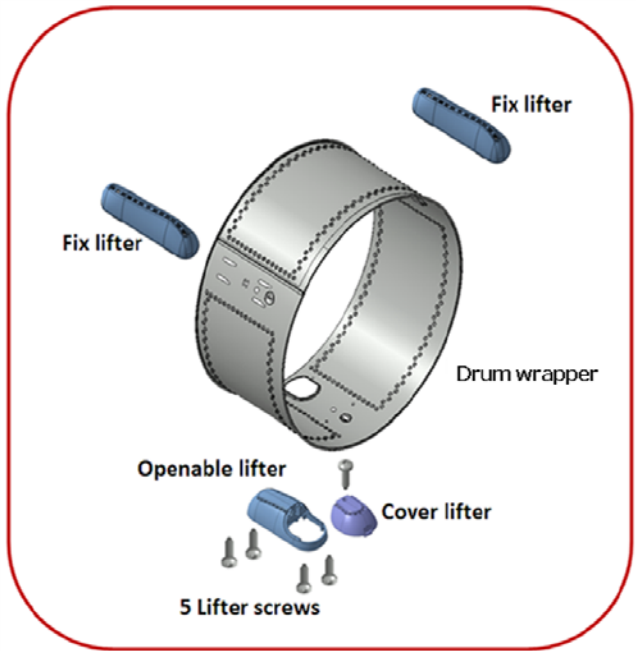
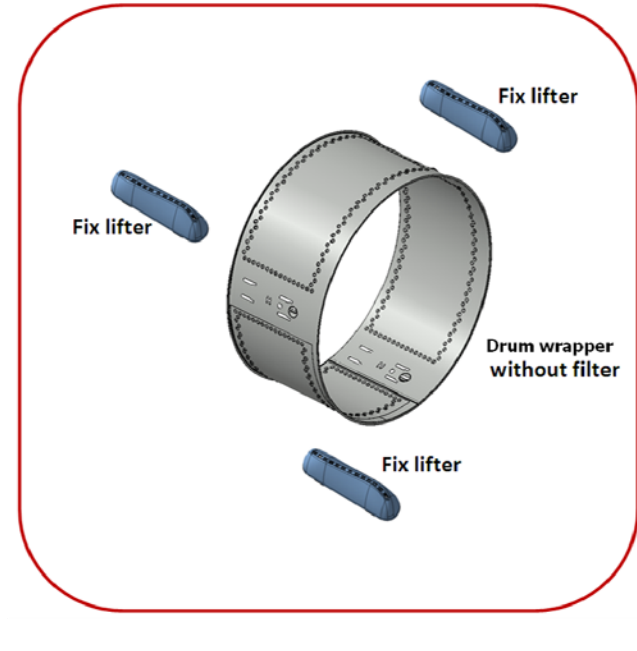


FIX LIFTER CHANGE

DESCRIPTION:

For Prometeo washing machines the openable lifter has been replaced by a fix lifter. Exchange of the drum is also needed. Modification is not interchangeable and the old part is not longer available.

Existing drum assembly (2 fix lifters + 1 openable lifter)	New drum assembly (3 fix lifters)
 <p>Drum 147760500</p>	 <p>Drum 147760530</p>

SOLUTION:

In case of exchange, openable fix lifter needs to be exchanged by a fix lifter, and drum assembly has to be replaced. To order correct parts please refer to below table.

SPARE PARTS:

Position	Part Detail	From		To	
		ANC	Q'ty (ea)	To	Q'ty (ea)
250	Drum, Assembly	147760500	1	147760530	1
262	Drum lifter	147903900	2	147903900	3
262A	Drum lifter	-	1	-	0
999	Drum Lifter, Screw, PMT	132733800	5	132733800	0

Affected PNC

PNC	Model	Region
914579835	ZWG2100P	EU
914579836	ZWG2120P	EU
914579837	ZWG2120P	EU
914579838	ZWG1100P	EU
914579839	ZWG1100P	EU
914579840	ZWG1120P	EU
914579841	ZWG1121P	EU
914579842	FWG1125P	EU
914579843	ZWG1121P	EU
914579844	FWG1121P	EU
914579895	ZWG2100P	EU
914579898	FWG1122P	EU

REVISIONS:

Revision	Date	Description	Author	Approved by - on
00	11/2011	R&D Thailand	NR	NR – 11/2011