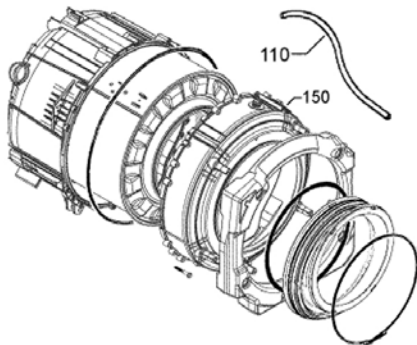
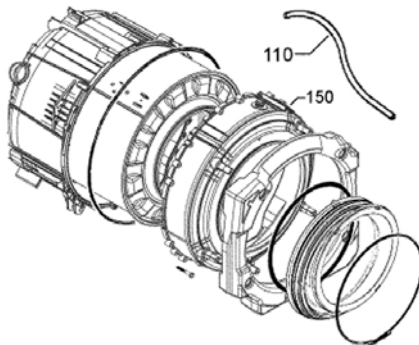


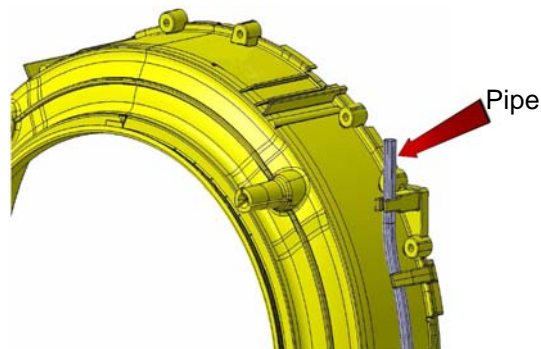
## ELIMINATION OF PRESSURE SWITCH PIPE SHEATHING

From serial number 113... onwards: The front tub has been modified to provide support for the pressure switch pipe, subsequently the heat shrink tubing to protect the pipe has been eliminated.

### Spare Parts Codes

Up to serial number 112... inclusive			From serial number 113... onwards		
					
Ref.	Description	Cod.	Ref.	Description	Cod.
110	Pipe, pressure switch assembly	132642311/6	110	Pipe, pressure switch assembly	132642330/6
150	Casing, front, tank, G23 WITHOUT VENT	147100623/7	150	Casing, front, tank, G23 WITHOUT VENT	147100624/5

For production prior to serial number 113..., the spare parts will be supplied until stocks run out, after which both new parts will have to be ordered and assembled as shown below.



Insert the pressure switch pipe in the specific slot making sure that the length of the pipe between the front case and pressure switch is sufficient to allow for free movement of the washing unit, and prevent the pipe from coming into contact with the counterweight.

### Interchangeability

The new parts cannot be interchanged individually with the old ones.

Equipment to be changed

PNC_ELC	Pub	Model	ProdDate
91452760801	599706798	EWN10791W	20080321
91452760901	599706976	AWN14791W VERS.SILVE	20080328
91452771101	599706986	EWN14991W	20080328
91452761000	599707678	RWN12592W	20080418
91452771700	599707876	EWN14991K	20080425
91452760101	599708441	AWN12691W VERS.WHITE	20080530
91452761200	599708442	EWN14791W	20080530
91452771900	599709501	EWN14991W	20080627
91452771600	599709724	EWN14991W	20080704
91452770101	599710127	EWN14991W	20080718
91452772100	599710737	EWN14991W	20080815
91452772300	599711542	EWN14991K	20080927
91452760101	599711878	AWN12691W VERS.SILVE	20081010
91452760901	599711880	AWN14791W VERS.SILVE	20081010
91452771900	599712371	EWN14991W	20080922
91452770401	599712821	EWN14991W	20081107
91452770901	599714475	EWN14991W	20081226
91452771800	599715628	EWN14991W	20090214
91452770502	599717436	EWN14991W	20090403
91452770002	599718312	RWN14991W	20090418
91452773000	599729541	EWN148640W	20100323
91452773100	599729674	EWN148640W	20100323
91452772401	599730423	EWN148640W	20100405
91452760301	599730630	EWN14791W	20100305
91452770003	599730656	RWN14991W	20100323
91452760601	599730669	EWN12791W	20100305
91452760802	599730690	EWN10791W	20100305
91452760902	599730733	AWN14791W VERS.SILVE	20100305
91452770602	599730736	EWN14991W	20100311
91452771801	599730741	EWN14991W	20100305
91452771901	599730744	EWN14991W	20100305
91452773001	599730747	EWN148640W	20100323
91452773101	599730752	EWN148640W	20100323
91452761800	599732895	RWN148540W	20100719
91452772500	599735542	EWN148640W	20100921
91452761500	599740152	EWN148540S	20110124

**REVISIONS:**

Revision	Date	Description	Author	Approved by - on
00	07/2011	Document Creation	DMM	AA – 06/2011