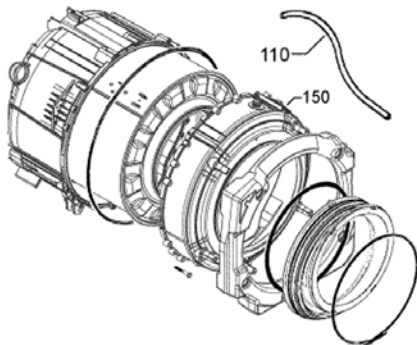
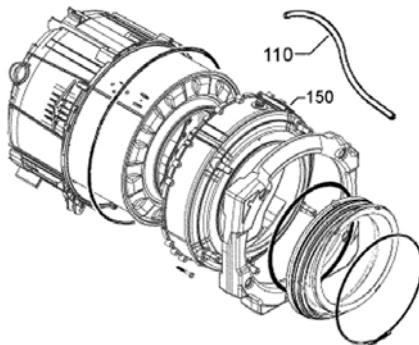


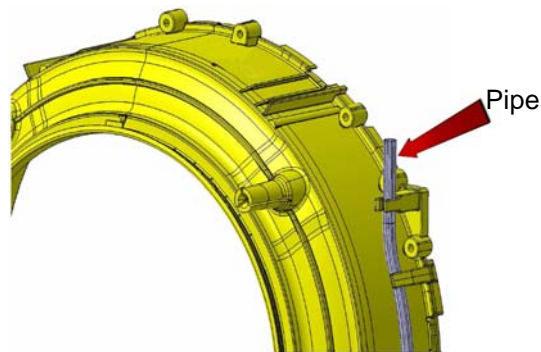
**ELIMINATION OF PRESSURE SWITCH PIPE SHEATHING**

From serial number 113... onwards: The front tub has been modified to provide support for the pressure switch pipe, subsequently the heat shrink tubing to protect the pipe has been eliminated.

**Spare Parts Codes**

Up to serial number 112... inclusive			From serial number 113... onwards		
					
Ref.	Description	Cod.	Ref.	Description	Cod.
110	Pipe, pressure switch assembly	132642311/6	110	Pipe, pressure switch assembly	132642330/6
150	Casing, front, tank, G23 WITHOUT VENT	147100610/4	150	Casing, front, tank, G23 WITHOUT VENT	147100613/8

For production prior to serial number 113..., the spare parts will be supplied until stocks run out, after which both new parts will have to be ordered and assembled as shown below.



Insert the pressure switch pipe in the specific slot making sure that the length of the pipe between the front case and pressure switch is sufficient to allow for free movement of the washing unit, and prevent the pipe from coming into contact with the counterweight.

**Interchangeability**

The new parts cannot be interchanged individually with the old ones.

Equipment to be changed

PNC_ELC	Pub	Model	ProdDate	PNC_ELC	Pub	Model	ProdDate
91452330200	599701925	679310_20934	20070921	91452360601	599712046	P810D	20081017
91452330300	599702511	JLWM1405	20071012	91452360602	599715246	P810D	20090206
91452340000	599716795	ZWN5105	20090320	91452360800	599702782	ZWN6105	20071012
91452340200	599718424	ZWN6104	20090424	91452360801	599712049	ZWN6105	20081017
91452340201	599728847	ZWN6104	20100128	91452360803	599718768	ZWN6105	20090424
91452340300	599718969	EFW10190W	20090508	91452360900	599703177	ZWN6125	20071019
91452340301	599728848	EFW10190W	20100218	91452360901	599712889	ZWN6125	20081108
91452340400	599718850	EFW10190W	20090501	91452360902	599715276	ZWN6125	20090206
91452340500	599718877	RWF10190W	20090501	91452360903	599717148	ZWN6125	20090328
91452340501	599728849	RWF10190W	20100325	91452361200	599719916	EFW14597W	20090619
91452340800	599721353	RWF10095W	20090828	91452361201	599728913	EFW14597W	20100317
91452340801	599729919	RWF10095W	20100420	91452361300	599711155	EFW14591W	20080912
91452340900	599718879	P810	20090501	91452361301	599716382	EFW14591W	20090306
91452340901	599728850	P810	20100128	91452361302	599720653	EFW14591W	20090717
91452341100	599733361	RWF108119W	20100819	91452361400	599705313	EFXX8448N	20080111
91452341101	599742907	RWF108119W	20110414	91452361500	599706433	AWF14591W	20080307
91452341200	599731054	EFW108210W	20100422	91452361501	599710511	AWF14591W	20080801
91452341400	599737681	PWN81061	20101209	91452361502	599715280	AWF14591W	20090206
91452341600	599733578	RWF108210W	20100819	91452361600	599706759	EFW10591W	20080321
91452341700	599728392	ZWN6104	20100311	91452361601	599713228	EFW10591W	20081114
91452341900	599731063	EFW108211W	20100513	91452361602	599716383	EFW10591W	20090306
91452342000	599741497	RWF128212W	20110331	91452361603	599728914	EFW10591W	20100311
91452350001	599715144	AWF12491W	20090131	91452361800	599708681	ZWN3145	20080606
91452350002	599728851	AWF12491W	20091110	91452361801	599712052	ZWN3145	20081017
91452350100	599716394	EFW12491W	20090306	91452361802	599717159	ZWN3145	20090328
91452350700	599716440	ZWN3125	20090307	91452361900	599706769	EFW12591W	20080321
91452350701	599728852	ZWN3125	20100310	91452361901	599712055	EFW12591W	20081017
91452350900	599715366	EFW12491W	20090207	91452361902	599716385	EFW12591W	20090306
91452350901	599728853	EFW12491W	20100209	91452362000	599706772	ZWN6105	20080321
91452351000	599721361	RWF10490W	20090828	91452362001	599712054	ZWN6105	20081017
91452351001	599732134	RWF10490W	20100701	91452362002	599715282	ZWN6105	20090206
91452351100	599728335	EFW128420W	20100311	91452362100	599706774	ZWN6125	20080321
91452351500	599732773	RWF128420W	20100716	91452362102	599715866	ZWN6125	20090220
91452351800	599731097	EFW148420W	20100503	91452362200	599708536	RWF12591W	20080530
91452352000	599737614	PWN81070	20101209	91452362201	599717161	RWF12591W	20090328
91452352300	599723693	ZWN6105	20091119	91452362300	599708699	ZWN6100	20080606
91452352301	599729927	ZWN6105	20100416	91452362301	599712891	ZWN6100	20081108
91452352400	599728073	ZWN7125	20100311	91452362302	599715868	ZWN6100	20090220
91452352800	599731103	EFW128420W	20100422	91452362400	599708700	ZWN6120	20080606
91452352900	599731105	EFW148421W	20100513	91452362401	599712047	ZWN6120	20081017
91452360000	599700626	ZWF14791W	20070720	91452362402	599718217	ZWN6120	20090417
91452360002	599720072	ZWF14791W	20090626	91452362500	599711884	JLWM1406	20081010
91452360003	599728854	ZWF14791W	20100203	91452362501	599715287	JLWM1406	20090206
91452360004	599736309	ZWF14791W	20101102	91452362502	599728916	JLWM1406	20100209
91452360600	599701858	P810D	20070921	91452362601	599716804	EFW14591W	20090320
91452362602	599728917	EFW14591W	20100209	91452630001	599388633	L74900	20070518
91452362800	599713279	RWF10591W	20081121	91452630101	599387112	L74900	20070316

PNC_ELC	Pub	Model	ProdDate	PNC_ELC	Pub	Model	ProdDate
91452362900	599714384	IF9480.8	20081226	91452630201	599387119	L74900	20070316
91452362901	599715684	IF9480.8	20090214	91452630301	599387113	L74900	20070316
91452363100	599717809	AWF14591W	20090411	91452630401	599387121	L74900	20070316
91452363101	599728918	AWF14591W	20100222	91452630501	599387124	L74900	20070316
91452363200	599720077	IZWN3145	20090626	91452630601	599702817	L74900	20071012
91452363300	599719919	50814	20090619	91452630700	599387882	L74900	20070406
91452363400	599721437	RWF14591W	20090904	91452630801	599387116	L74900	20070316
91452363401	599728922	RWF14591W	20100317	91452630901	599387117	L74900	20070316
91452363500	599735616	EFW148541W	20100910	91452631001	599388634	L74900	20070518
91452363600	599729257	EFW168540W	20100408	91452631100	599386297	QW14780	20070223
91452363700	599731109	EFW168540W	20100422	91452631200	599386295	L72900	20070223
91452363800	599721926	EFW14592W	20090925	91452660000	599704909	L74950	20071214
91452363801	599728925	EFW14592W	20100209	91452660002	599715499	L74950	20090213
91452363900	599731629	JLWMS1605	20100617	91452660100	599389846	L74950	20070622
91452364000	599736299	EFW148540W	20101102	91452660102	599715508	L74950	20090213
91452364100	599732829	RWF148540W	20100716	91452660200	599389848	L74950	20070622
91452364300	599731110	EFW148540W	20100422	91452660202	599715512	L74950	20090213
91452364400	599725360	IF9460.8	20091210	91452660300	599701138	L74953	20070810
91452364500	599731111	EFW148540W	20100517	91452660301	599715533	L74953	20090213
91452364600	599735599	EFW148541W	20101005	91452660400	599701879	L74950	20070921
91452364700	599735593	EFW168541W	20101005	91452660401	599715687	L74950	20090214
91452364800	599736534	EFW148540W	20100902	91452660500	599701143	L74950	20070824
91452364900	599736330	EFW148540W	20101025	91452660501	599706955	L74950	20080328
91452365000	599736532	EFW148541W	20101006	91452660502	599715689	L74950	20090214
91452365100	599736514	EFW168541W	20100910	91452660600	599702110	L74950	20070928
91452365200	599736494	EFW168541W	20101005	91452660700	599702105	L74950	20070928
91452365300	599736700	EFW168547W	20101112	91452660701	599720025	L74950	20090626
91452365400	599741194	RWF148543W	20110321	91452660800	599702044	L74950	20070921
91452365500	599741723	RWF149542W	20110404	91452660900	599701908	L74950	20070921
91452366800	599741204	RWF129442W	20110321	91452660901	599715534	L74950	20090213
91452370000	599714430	00820320_20917	20081226	91452661000	599703761	L74959	20071102
91452370001	599715288	00820320_20917	20090206	91452661100	599701891	L74665	20070921
91452600100	599733746	L74950M3	20100820	91452661102	599710124	L74665	20080718
91452600200	599731140	L74950A3	20100520	91452661200	599702052	QW14785	20070921
91452600300	599736435	L62953A3	20100921	91452661300	599702106	L72950	20070928
91452600400	599737894	WASL1E102	20101005	91452661301	599715538	L72950	20090213
91452600500	599738047	WASL2E102	20101005	91452661400	599702107	L74950	20070928
91452600600	599731584	L74950W	20100617	91452661401	599715690	L74950	20090214
91452600700	599733523	L74950W	20100827	91452661500	599706960	QW14785K	20080328
91452600800	599731694	L74950W	20100702	91452661501	599717162	QW14785K	20090328
91452600900	599731570	L76950W	20100617	91452661600	599707316	L74950	20080411
91452601000	599733447	L76950W	20100816	91452661601	599720028	L74950	20090626
91452601100	599733321	L76950A3	20100820	91452661700	599706434	L74920	20080307
91452601200	599732397	L74952A3	20100712	91452661701	599713087	L74920	20081114
91452661702	599715539	L74920	20090213	91452665700	599718863	L74950M	20090501
91452661800	599707952	LN78480	20080425	91452665702	599730502	L74950M	20100217
91452661801	599715694	LN78480	20090214	91452665800	599718891	L74950A	20090501
91452661900	599707956	LN78480	20080425	91452665802	599730503	L74950A	20100217
91452661901	599715540	LN78480	20090213	91452665900	599722663	L74950A	20091019

PNC_ELC	Pub	Model	ProdDate	PNC_ELC	Pub	Model	ProdDate
91452662000	599708716	L74950	20080606	91452665902	599730516	L74950A	20100409
91452662001	599715696	L74950	20090214	91452666000	599718865	L74950A	20090501
91452662100	599711555	L74950B	20080927	91452666002	599730518	L74950A	20100210
91452662101	599716868	L74950B	20090321	91452666100	599718866	QW14783	20090501
91452662200	599712505	L74959	20081101	91452666102	599730539	QW14783	20100302
91452662201	599715541	L74959	20090213	91452666103	599740648	QW14783	20110124
91452662400	599720481	L74950A	20090710	91452666300	599721856	LN75480	20090925
91452662402	599730460	L74950A	20100204	91452666302	599730540	LN75480	20100427
91452662500	599717763	L74950A	20090410	91452666400	599721502	L74950A	20090904
91452662502	599730464	L74950A	20100219	91452666402	599730543	L74950A	20100210
91452662600	599721653	L76950A	20090918	91452666500	599721507	L72950A	20090904
91452662602	599730465	L76950A	20100210	91452666502	599730548	L72950A	20100202
91452662800	599738177	WA1658	20101117	91452666600	599721662	LN79680A	20090918
91452662900	599722229	L76950A	20090924	91452666602	599730555	LN79680A	20100310
91452662902	599730468	L76950A	20100325	91452666603	599731944	LN79680A	20100512
91452663000	599717126	L74950A	20090327	91452666700	599722167	LN79680A	20091001
91452663002	599730469	L74950A	20100217	91452666703	599731948	LN79680A	20100601
91452663100	599717816	L74950A	20090411	91452666800	599723663	L72950A	20091118
91452663102	599730470	L74950A	20100210	91452666802	599730563	L72950A	20100222
91452663200	599719924	L74953A	20090619	91452667100	599722172	LN79689A	20091001
91452663202	599730481	L74953A	20100204	91452667102	599730570	LN79689A	20100128
91452663500	599718852	QW14786	20090501	91452667103	599731954	LN79689A	20100510
91452663502	599730483	QW14786	20100416	91452667200	599723548	L62953L	20091028
91452663700	599717778	L74950M	20090410	91452667202	599730595	L62953L	20100427
91452663800	599722180	LN79480A	20090924	91452667600	599728732	WASL1E101	20100210
91452663803	599731937	LN79480A	20100423	91452667700	599729451	WASL2E101	20100210
91452664200	599719938	L74920	20090619	91452667800	599729447	WA1658	20100311
91452664201	599729856	L74920	20100212	91452667900	599731150	L72950A3	20100427
91452664202	599729842	L74920	20100212	91452668000	599732400	L74950A3	20100709
91452664203	599733880	L74920	20100819	91452668100	599731148	L76950A3	20100511
91452664400	599718853	L74959A	20090501	91452668200	599731154	L72950M3	20100528
91452664402	599730485	L74959A	20100311	91452668300	599738426	L74950A3	20101005
91452664500	599718861	QW14786K	20090501	91452668400	599731157	L74950A3	20100422
91452664502	599730486	QW14786K	20100210	91452668500	599731771	LN79480A3	20100705
91452664700	599721365	L72950M	20090828	91452668600	599731158	L74959A3	20100422
91452664800	599721499	L74950M	20090904	91452668800	599738092	QW14787	20101005
91452664900	599721505	L74950B	20090904	91452668900	599731165	L76950A3	20100423
91452665002	599731145	LN77480	20100603	91452669000	599732403	LN79680A3	20100709
91452665200	599721660	LN77480	20090918	91452669100	599733451	LN79680A3	20100816
91452665202	599730488	LN77480	20100305	91452669200	599740097	LN79689A3	20110110
91452665203	599733994	LN77480	20100820	91452669300	599733741	L72950A3	20100820
91452665500	599716808	L74950A	20090320	91452669400	599731768	L74950A3	20100705
91452669500	599731167	L74953A3	20100608	91452673600	599721674	L84950A	20090918
91452669600	599732721	L74953M3	20100709	91452673700	599722182	LN89680A	20090924
91452669700	599731175	L74950A3	20100427	91452673702	599730611	LN89680A	20100422
91452669800	599732841	L74950M3	20100728	91452673900	599722163	L86950A	20091001
91452669900	599731177	L74950A3	20100427	91452673902	599730612	L86950A	20100309
91452670100	599389147	L84950	20070525	91452674100	599729513	L86950A	20100323
91452670101	599705478	L84950	20080118	91452674201	599729054	LR1653	20100204

PNC_ELC	Pub	Model	ProdDate	PNC_ELC	Pub	Model	ProdDate
91452670200	599700242	L84950	20070706	91452674300	599729454	WASL3E101	20100211
91452670300	599701364	L84950	20070831	91452674400	599729051	WASL6E101	20100211
91452670301	599715693	L84950	20090214	91452674500	599731562	L84950A3	20100611
91452670400	599701353	L84953	20070824	91452674600	599733797	L86950A3	20100826
91452670500	599701141	L84950	20070824	91452674700	599731178	L86950A3	20100510
91452670501	599716813	L84950	20090320	91452674800	599738240	QW16981	20101022
91452670600	599702551	L84950	20071012	91452674900	599731899	LN89680A3	20100707
91452670700	599702554	L84950	20071012	91452675000	599731179	L86950A3	20100504
91452670701	599715546	L84950	20090213	91452675100	599732853	L86950A3	20100727
91452670800	599703211	L84950	20071019	91452675200	599731181	L84950A3	20100504
91452670900	599701911	L84950	20070921	91452675300	599731897	LN89480A3	20100707
91452670901	599715700	L84950	20090214	91452675400	599731536	L84950A3	20100623
91452671000	599701884	L84950	20070921	91452675500	599733711	L84950A3	20100820
91452671001	599715550	L84950	20090213	91452675600	599732465	L84950A3	20100713
91452671100	599709767	L84950	20080705	91452675700	599738243	LR1654	20101006
91452671101	599715704	L84950	20090214	91452675800	599738248	WASL3E102	20110104
91452671103	599728499	L84950	20100211	91452675900	599737964	WASL6E102	20101004
91452671200	599702677	L82950	20071012	91452676000	599733826	L86950A3	20100901
91452671300	599702681	L84950	20071012	91452676100	599733819	L84950A3	20100901
91452671301	599718585	L84950	20090501	91460440000	599716789	RWW14791W	20090320
91452671400	599710736	LN88480	20080815	91460440001	599727771	RWW14791W	20100202
91452671401	599715705	LN88480	20090214	91460440100	599719756	ZWD14791W	20090612
91452671600	599721658	L86950A	20090918	91460440101	599733377	ZWD14791W	20100309
91452671602	599730598	L86950A	20100203	91460440102	599742041	ZWD14791W	20110413
91452671700	599721664	L86950A	20090918	91460440200	599741553	JLWD1610	20110328
91452671702	599730599	L86950A	20100211	91460440400	599714126	FIELD TEST	20081213
91452671800	599718971	L84950A	20090508	91460440401	599732977	EWV14791W	20100127
91452671802	599730602	L84950A	20100204	91460440500	599740524	WTF968A.8	20110121
91452672000	599721673	LN89480A	20090918	91460440700	599717502	AWW14791W	20090404
91452672002	599731958	LN89480A	20100504	91460440701	599731283	AWW14791W	20100304
91452672100	599721368	QW16980	20090828	91460440800	599717504	EWV14791W	20090404
91452672102	599730606	QW16980	20100211	91460440801	599727772	EWV14791W	20100127
91452672400	599720662	L84950A	20090717	91460440900	599721931	EWV14791W	20090925
91452672402	599730607	L84950A	20100204	91460440901	599727748	EWV14791W	20100208
91452672600	599717777	L84950A	20090410	91460441000	599719940	EWV14791W	20090619
91452672700	599718976	L84950A	20090508	91460441001	599733235	EWV14791W	20100309
91452672702	599730610	L84950A	20100204	91460441500	599719431	ZKN7124	20090522
91452672800	599718892	L84950A	20090501	91460441501	599729738	ZKN7124	20100309
91452673100	599719020	L84950A	20090508	91460442000	599729741	EWV14791W	20100407
91452673102	599731959	L84950A	20100517	91460442000	599730069	EWV14791W	20100409
91460442001	599742040	EWV14791W	20110413	91490007000	599384932	EFW1092	20061006
91460442100	599721772	EWV14791W	20090918	91490004400	599373836	EFW1090	20051010
91460442101	599732986	EWV14791W	20100414	91490004500	599373570	EFW1495	20051010
91460442200	599725244	EWV14791W	20091218	91490005000	599381000	EFW14118	20060630
91460442400	599731270	EWV148540W	20100511	91490005100	599377646	ZWF14109	20060324
91460442500	599735968	EWV148540W	20101006	91490005200	599382083	EFW14115	20060629
91460442700	599731271	EWV148540W	20100504	91490005600	599382481	EFW12115	20060630
91460442800	599730668	EWV148540W	20100511	91490005900	599376168	JLWM1405	20060204
91460442900	599731273	ZKN7124	20100421	91490006800	599384995	EFW1092	20061123

PNC_ELC	Pub	Model	ProdDate	PNC_ELC	Pub	Model	ProdDate
91460443000	599731370	ZWD1261	20100610	91490007300	599385533	EWF1098	20061123
91460443100	599730693	EWV148540W	20100510	91490007400	599385534	EWF1098	20061006
91460443200	599735748	EWV168540W	20100923	91490007500	599384390	EWF1092	20061006
91460443300	599733520	RWW168540W	20100720	91490007900	599383370	543976_20701	20061007
91460443400	599735741	EWV168540W	20100915	91490008000	599382507	EWF12108W	20060630
91460443500	599735761	EWV168540W	20101008	91490008300	599384461	AWF10115	20061006
91460443700	599741656	RWW168543W	20110328	91490008400	599382622	AWF12115	20060630
91460444200	599740778	RWW168443W	20110215	91490008500	599384352	AWF14115	20061006
91460550001	599729993	L14950	20100413	91490008600	599382549	EWF14118	20060630
91460550101	599729043	QW1480HT	20100215	91490008700	599382551	ZWF14109	20060630
91460550200	599728171	L14950A	20100316	91490008800	599382574	EWF14115	20060630
91460550401	599730241	L14950A	20100217	91490008900	599382623	EWF12115	20060630
91460550600	599730065	L14950A	20100219	91490009000	599383548	JLWM1405	20061006
91460550701	599728237	L14950A	20100218	91490009700	599384316	EWF1495	20061006
91460550800	599737798	L14950A	20101223	91490009800	599384324	EWF1090	20061006
91460550900	599729731	L14950A	20100218	91490010200	599383333	EWF14118	20061007
91490000100	599374093	EWV12108W	20051130	91490015300	599711047	EWV8586	20080627
91490000400	599374154	R8400TS	20051123	91490016100	599710999	EWV1082	20080627
91490000500	599373829	AWF10115	20051018	91490016600	599711000	EWV1082	20080627
91490000600	599373830	AWF12115	20051018	91490016700	599710998	EWV1082	20080627
91490000700	599373831	AWF14115	20051018	91490016800	599711006	EWV1082B	20080627
91490002800	599373832	EWV1495	20051010	91490016900	599711007	EWV1082B	20080627
91490002900	599382462	EWV1495	20060630	91490017000	599711005	EWV1082B	20080627
91490003000	599376178	EWV1495	20060125	91490017100	599711003	EWV1082G	20080627
91490003000	599373833	EWV1495	20051010	91490017200	599711004	EWV1082G	20080627
91490003100	599373834	EWV1090	20051010	91490017300	599711002	EWV1082G	20080627
91490003300	599373835	EWV1090	20051010	91490018300	599711048	EWV8586	20080627
91490003300	599376186	EWV1090	20060125	91490018400	599711046	EWV8586	20080627
91490003400	599384305	EWV890	20061006	91490018900	599711088	EWV1282	20080627
91490003600	599384307	EWV890	20061006				

**REVISIONS:**

Revision	Date	Description	Author	Approved by - on
00	06/2011	Document Creation	DMM	AA – 06/2011