

SERVICE BULLETIN

Dometic GmbH, In der Steinwiese 16, D-57074 Siegen

**RM 8400/01/05, 8500/01/05/50/51/55, RMD 8501/05/51/55, RMF 7390L, RML 8550/51/55,
RMS 8400/01/05/60/61/65, RMS 8500/01/05/50/51/55, RMSL 8500/01/05**

Door lock does not open

In cause of that the activation rod can get stuck and the door couldn't be opened.

On the next pages you can find an instruction to open the door and to exchange the door locking device.

Page 2 -5:

Service kit: 289 0177-00 and 289 0177-01

Model: RM 8400/01/05, 8500/01/05/50/51/55, RMD 8501/05/51/55, RML 8550/51/55,
RMS 8400/01/05/60/61/65, RMS 8500/01/05/50/51/55, RMSL 8500/01/05

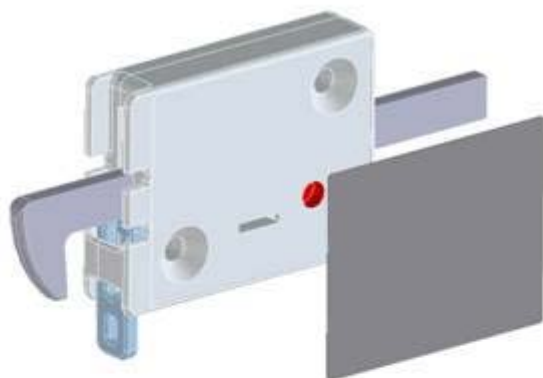
Page 6-9:

Service kit: 289 0177-02

Model: RMF 7390, RMS 8550 with Fendt door

Service kit :
289 0177-00 =>
Model: RM8XXX,RMS8XXX
Door frame black-grey or silver-grey

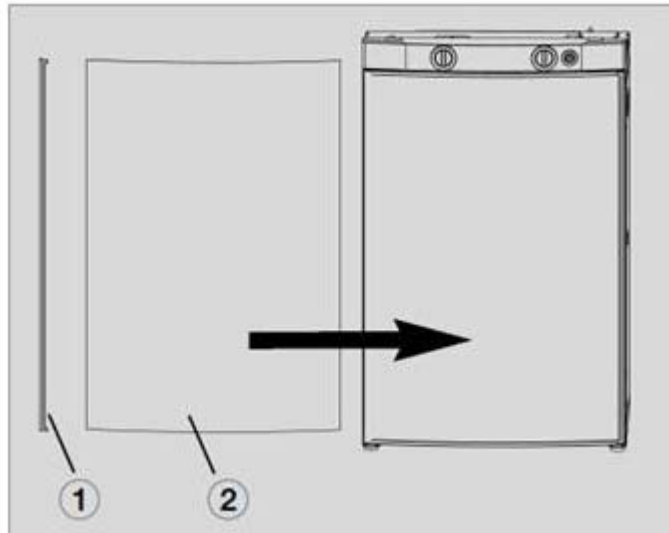
289 0177-01=>
Model: RM8XXX,RMS8XXX
Door frame lacquered: white-aluminium or champagner



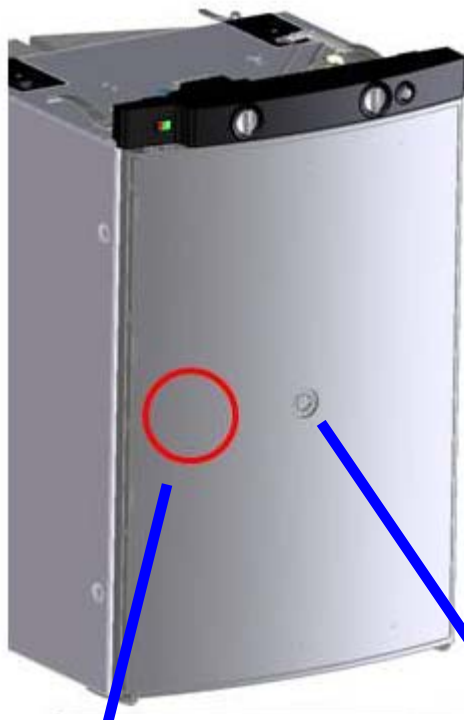
Remove the decor panel

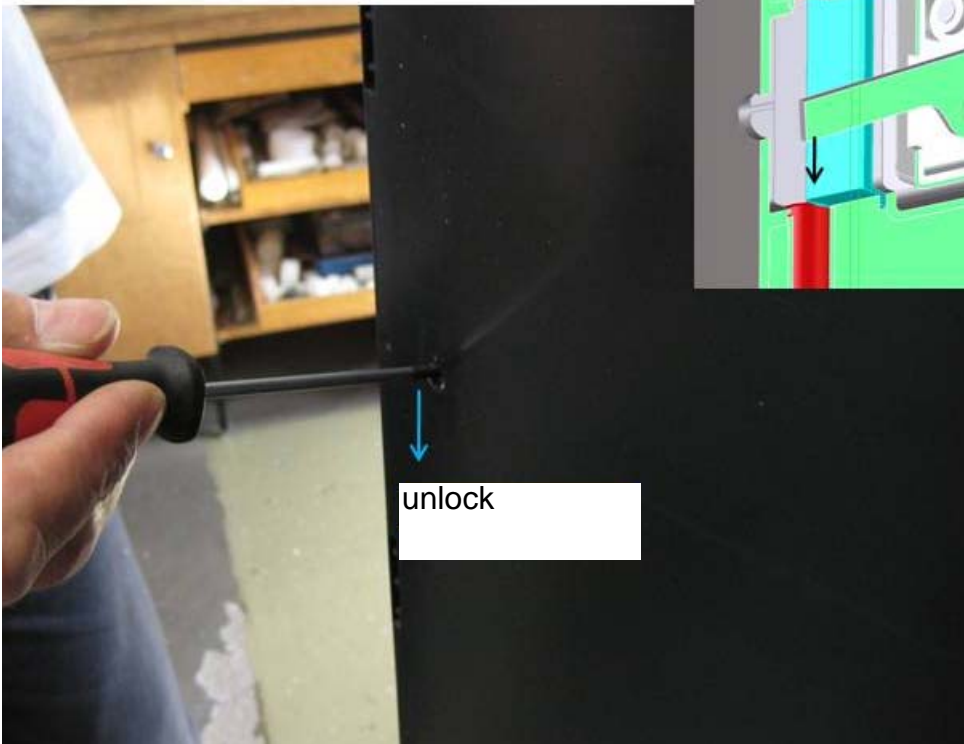
Model RM 8xxx, RMS 8xxx

- Remove the lateral ledge (1) of the door (ledge is attached, not screwed).
- Shift decor panel (2) away from the door.

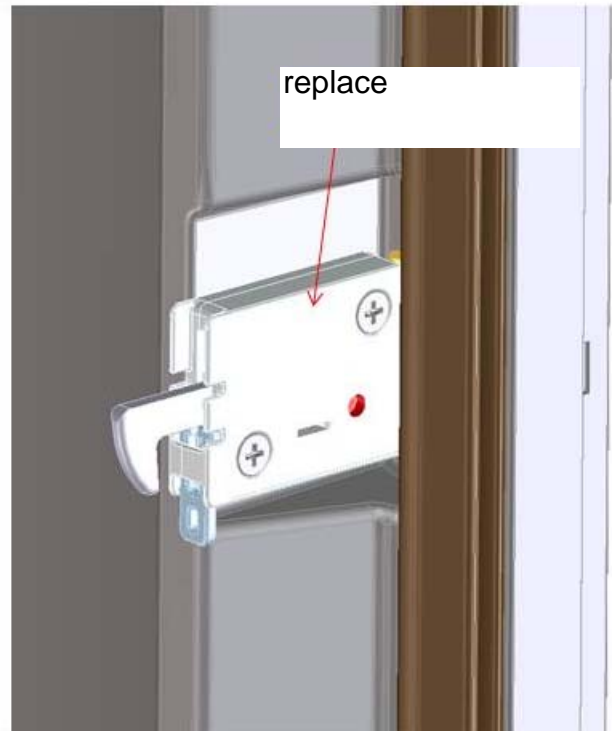
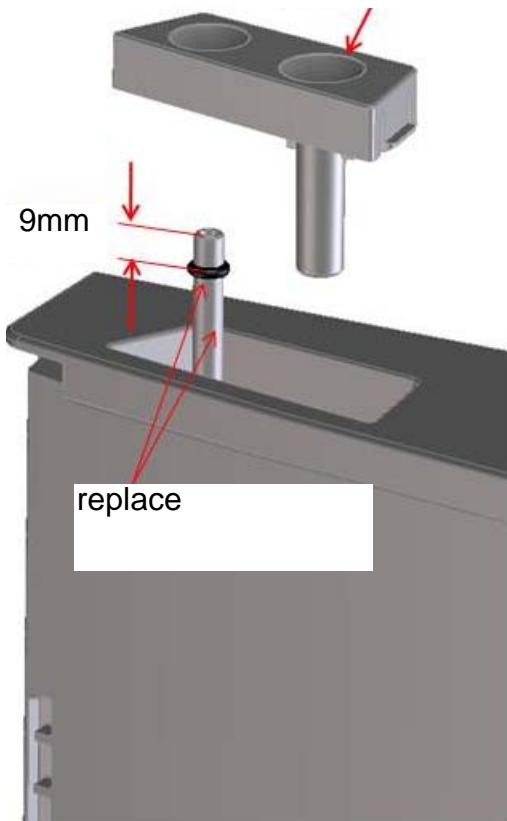


Assign the position of the necessity hole and drill a hole of 8mm.

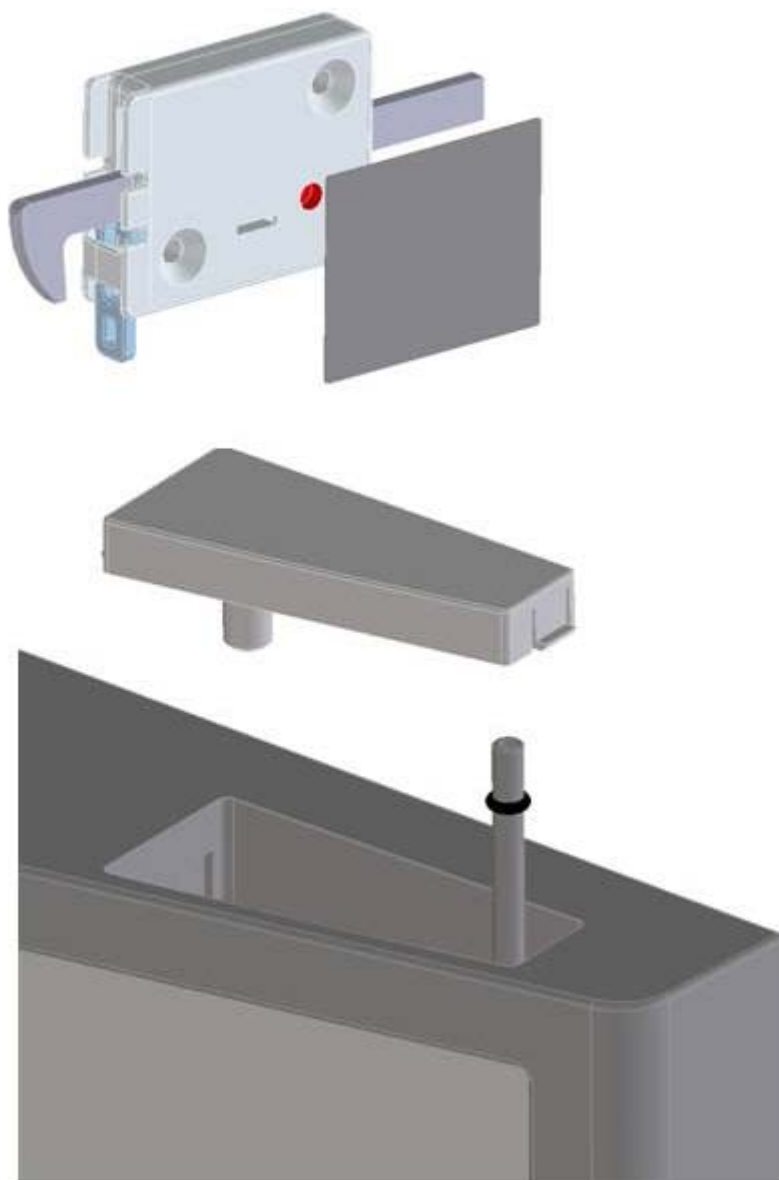




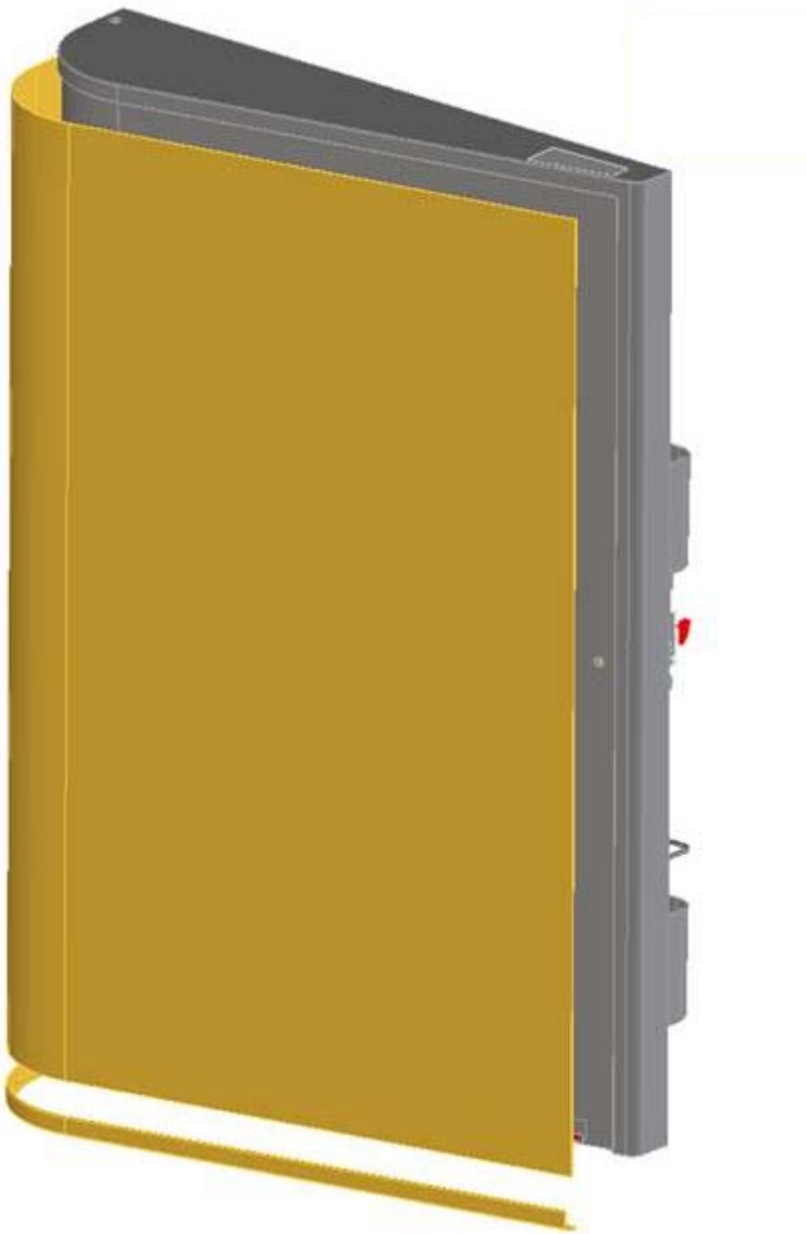
replace (optionally)



Service kit :
289 0177-02
Model: RMF 7390, RMS 8550 with Fendt door



Remove the decor panel



Assign the position of the necessity hole and drill a hole of 8mm.

