

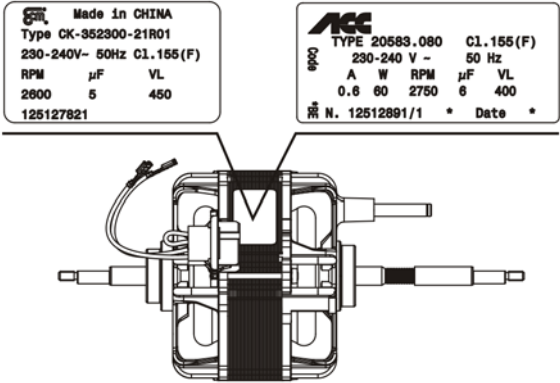
**INTERCHANGEABILITY DRUM MOTOR ACC / ECM**

**DESCRIPTION :**

Due to a diversity of engines mounted in the rotating drum dryer can be found in use of equipment with the same PNC and ELC with engines other than those listed in the catalog parts (Spare Parts List)  
The two motors though perfectly interchangeable for quality and power use capacitors of different capacities

**AFFECTED MODEL :**


Are affected by this change all the condenser dryer B Class which have the rotating drum motor engine

125 12 89 10-2	motor B class ACC stack 40 mm capacitor 6 $\mu$ F + 2 $\mu$ F	
125 12 78 21-2	motor B class ECM stack 35 mm capacitor 5 $\mu$ F + 4 $\mu$ F	
The motor code it can be find on the label on the motor		

**SOLUTION:**

For to avoid incorrect orders (new motor and capacitor old incorrect old) were created 2 new kits with code 136 40 70 136 40 70 00-1 and 10-0.

In each of these two codes are 1 motors and 2 capacitors, properly matched

	<p><b>DO NOT ORDER THE MOTOR INDICATED I THE SPARE PARTS LIST.</b></p>
---	--

- Ordering then either one of the following codes 136 40 70 00-1 or 136 40 70 10-0
- Install the new kit with the 2 new capacitors.

NEW CODE	Kit			
	Motor	brand	type	Capacitors
<b>136 40 70 00-1</b>	125 12 78 21-2	ECM	stack 35 mm	5 $\mu$ F + 4 $\mu$ F
<b>136 40 70 10-0</b>	125 12 89 10-2	ACC	stack 40 mm	6 $\mu$ F + 2 $\mu$ F