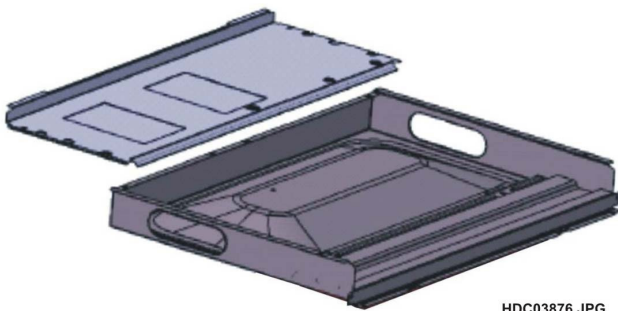


NEW ONE-PIECE OVEN COVER

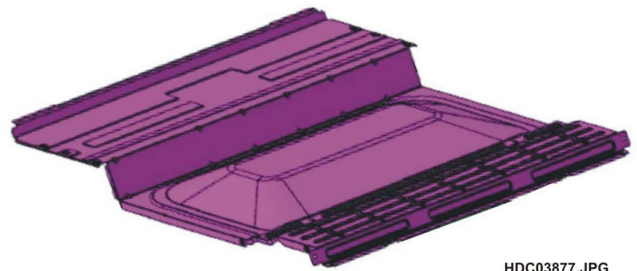
From January 2010 Access Plus ovens (serial No. 001....) will be gradually manufactured with a new one-piece top oven cover.

**FORMER OVEN COVER
IN TWO PIECES**



HDC03876.JPG

**NEW OVEN COVER
IN ONE PIECE**



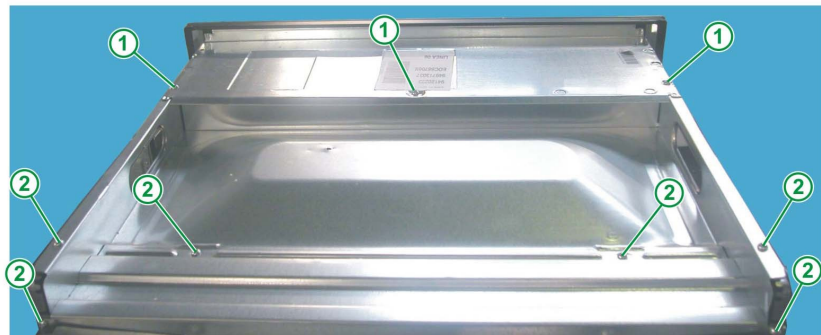
HDC03877.JPG

Fig. 1

Fig. 2

There will be different fixing points and access to components in the top section of the oven will change.

FORMER SYSTEM FIXING SCREWS



HDC03878.JPG

Fig. 3

- 1 - FIXING SCREWS
FRONT PANEL
- 2 - FIXING SCREWS
REAR PANEL

NEW SYSTEM FIXING SCREWS



HDC03879.JPG

Fig. 4

- 1 - TOP SCREWS
FRONT
- 2 - LEFT LATERAL SCREWS
- 3 - RIGHT LATERAL SCREWS
- 4 - TOP SCREWS
REAR
- 5 - REAR SCREWS