

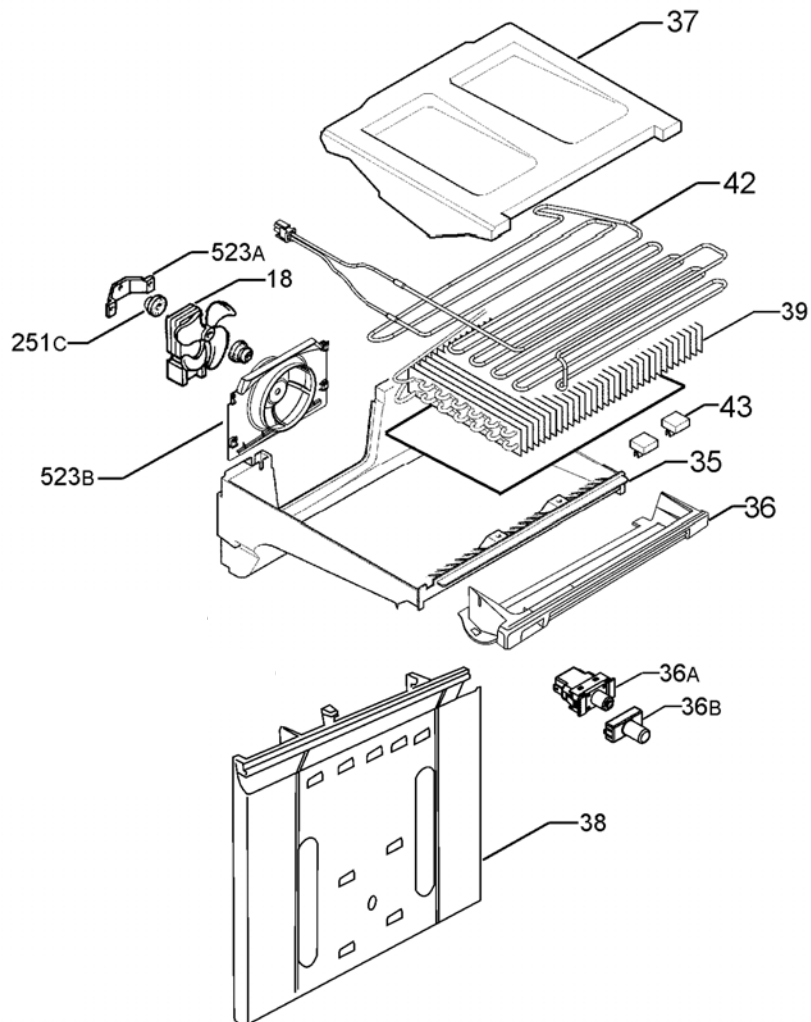
**TEMPERATURE FLUCTUATIONS IN TOTAL NO-FROST MODELS**

**DESCRIPTION:**

The appliances listed in Table A may present the following defect:

- Temperature fluctuations in the refrigerator compartment

This defect is caused by an insufficient flow of air generated by the battery evaporator fan (pos. 18).



**SOLUTION:**

In order to eliminate this defect, it is necessary to replace the battery evaporator fan with a more powerful version (2,500 rpm) (part number 2260065376).

The new fan is more noisy in operation than the original version.

N.B. The new fan must be used exclusively to eliminate temperature fluctuations; if the original fan is faulty, use the old part number when replacing.

**Table A**

<b>PNC</b>
925 034 xxx