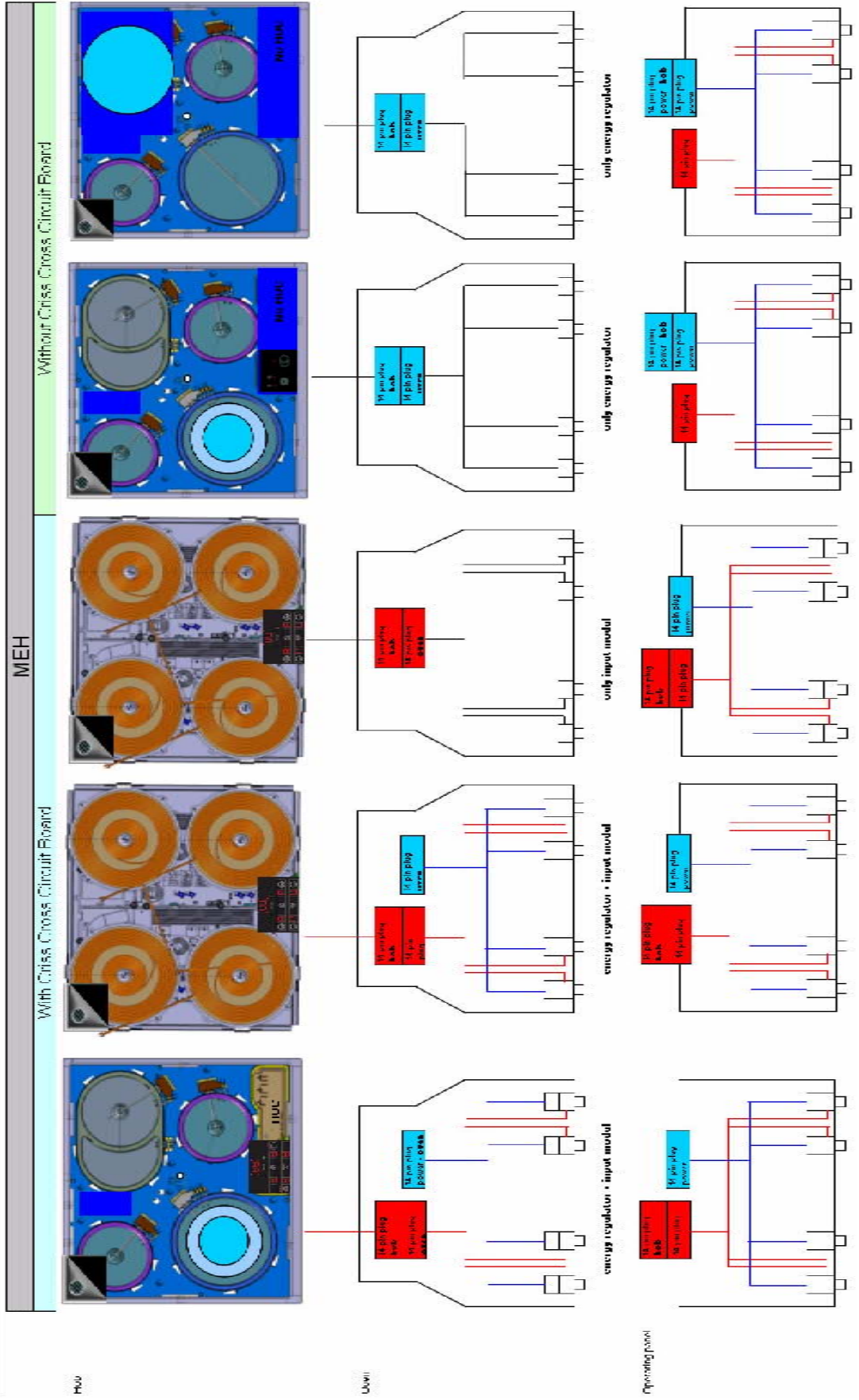


	Cookers	
<p>© Electrolux Distriparts Fürther Straße 246 D-90429 Nürnberg Germany</p> <p>DGS-TDS-N Ausgabe: 10.09</p>	<p>New hob oven combination</p> <p>„Criss Cross“</p>	

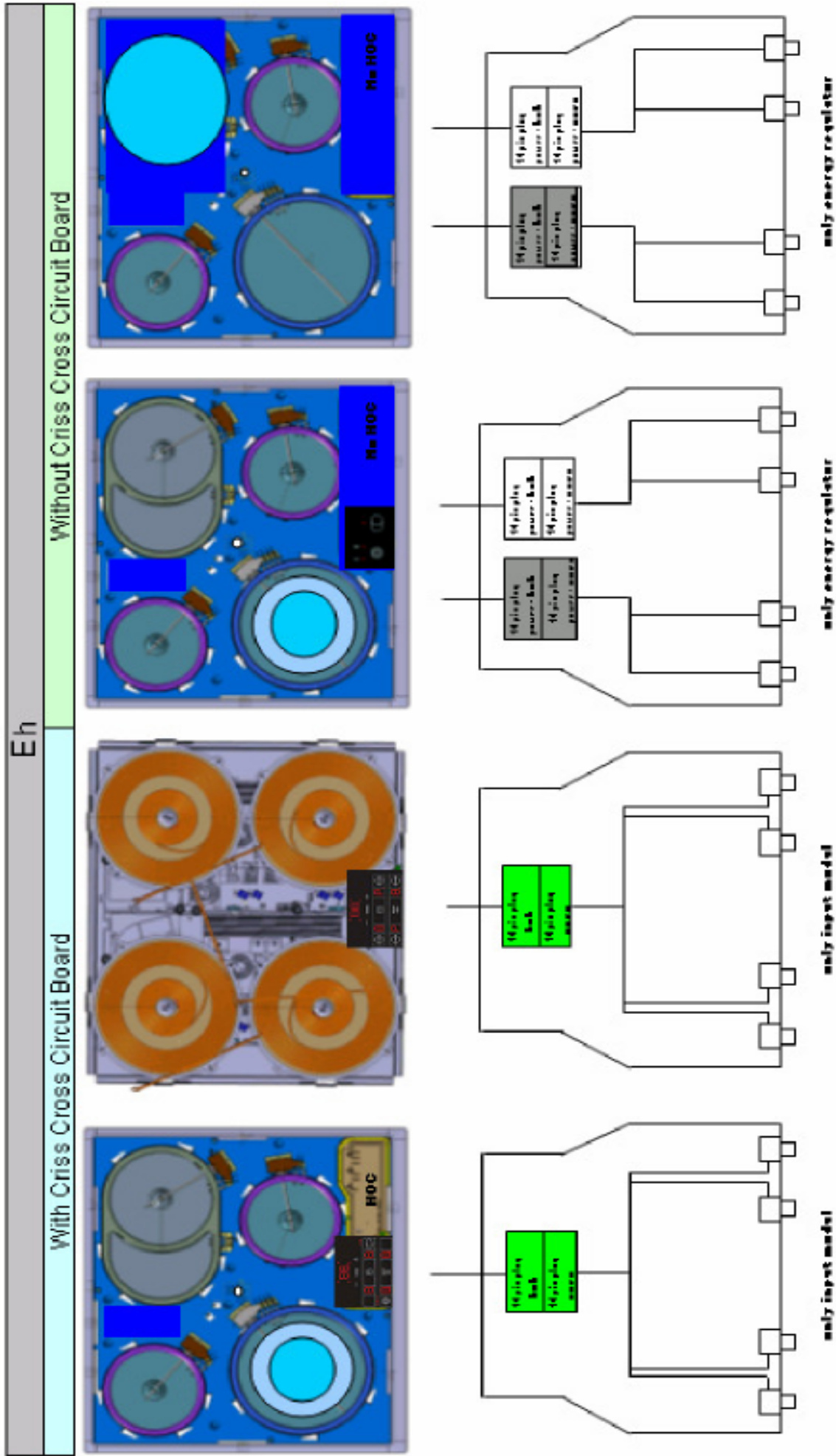
1. Project overview

Criss Cross is the Project name for the new hob oven combinations which is splitted into two different ranges. MEH with steam exhaust and EH without steam exhaust.

MEH (with steam exhaust)



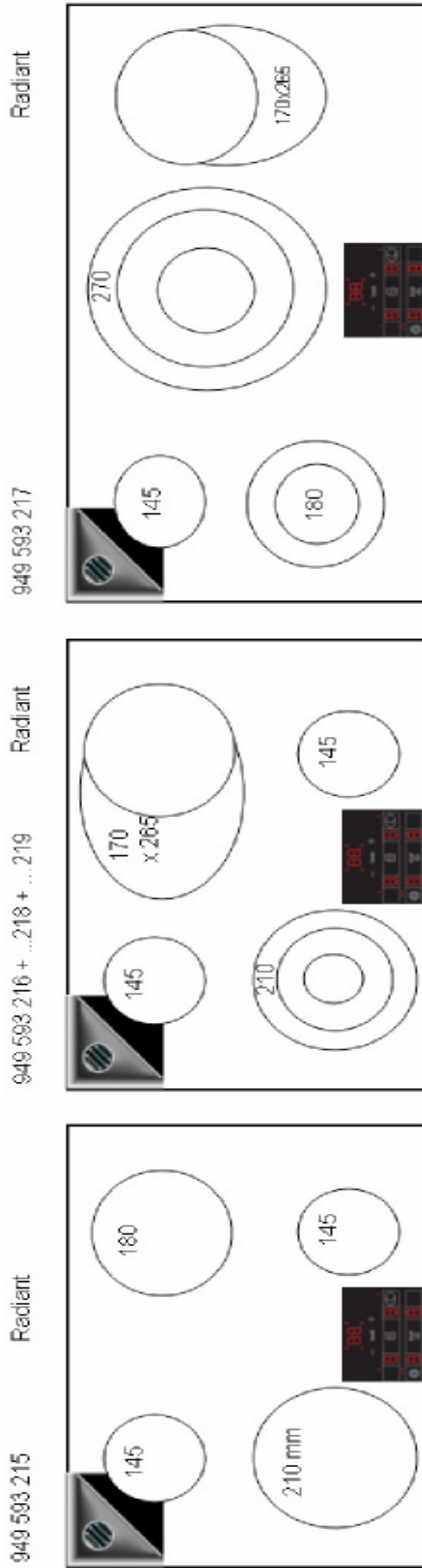
EH (without steam exhaust)



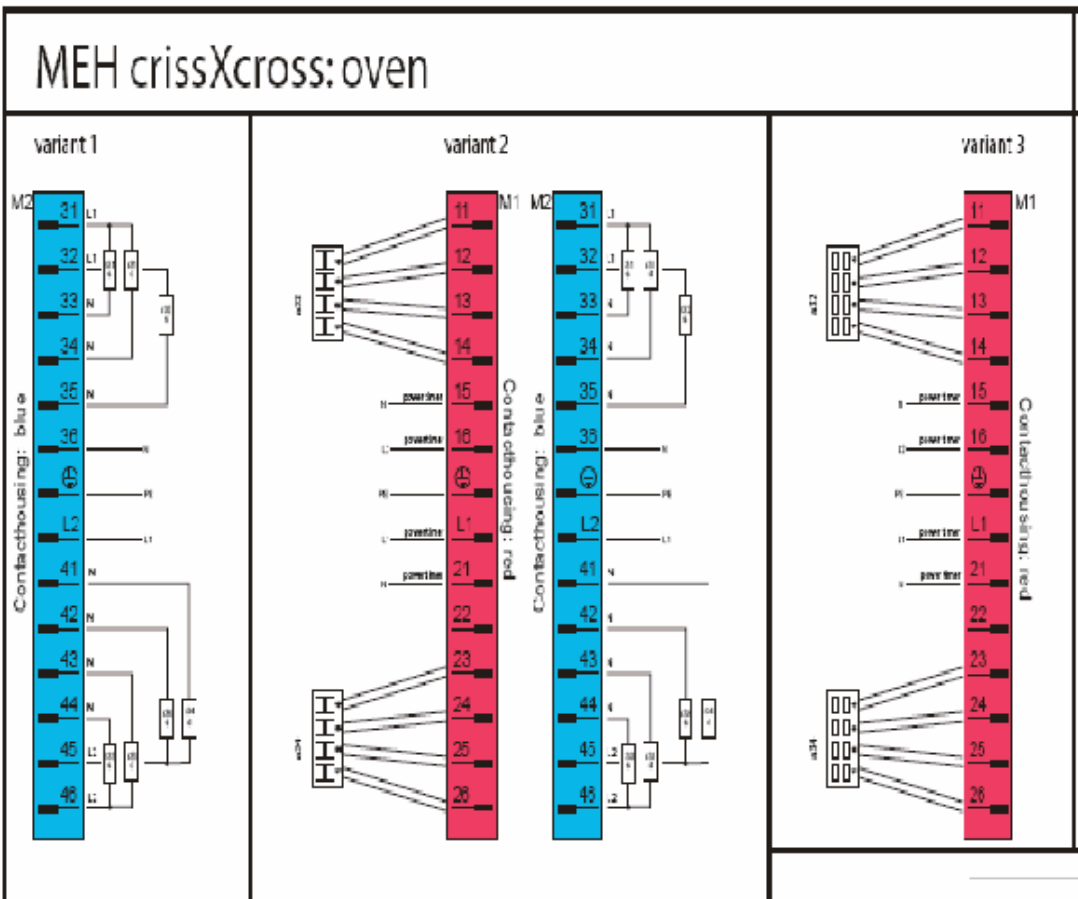
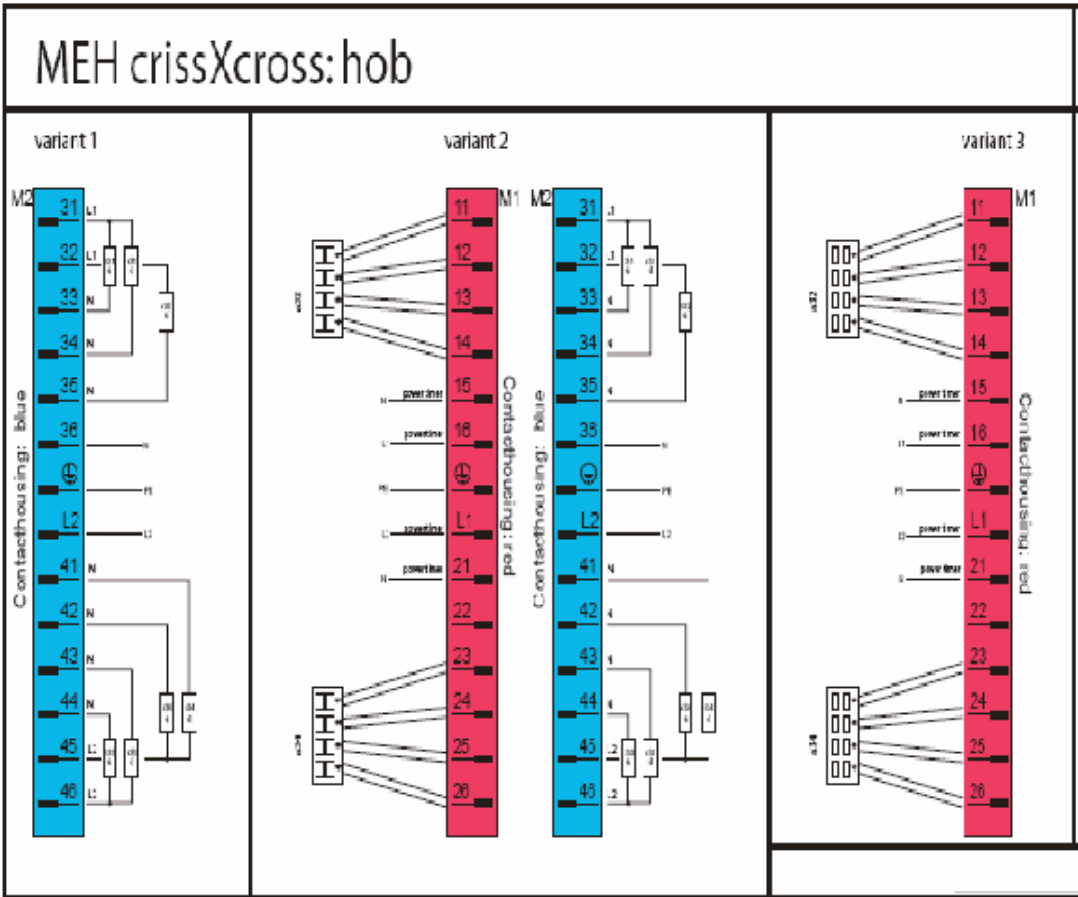
2. Description of MEH

2.1 MEH radiant including criss cross circuit board

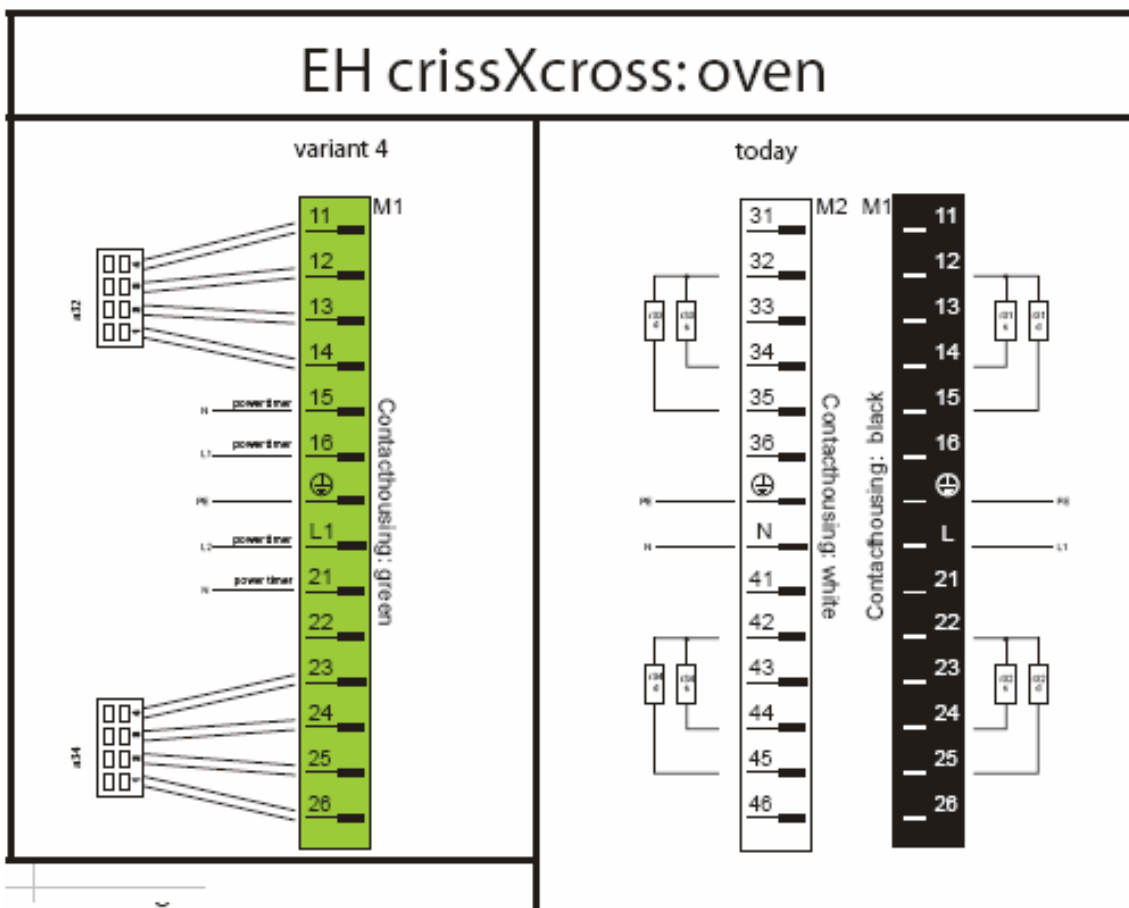
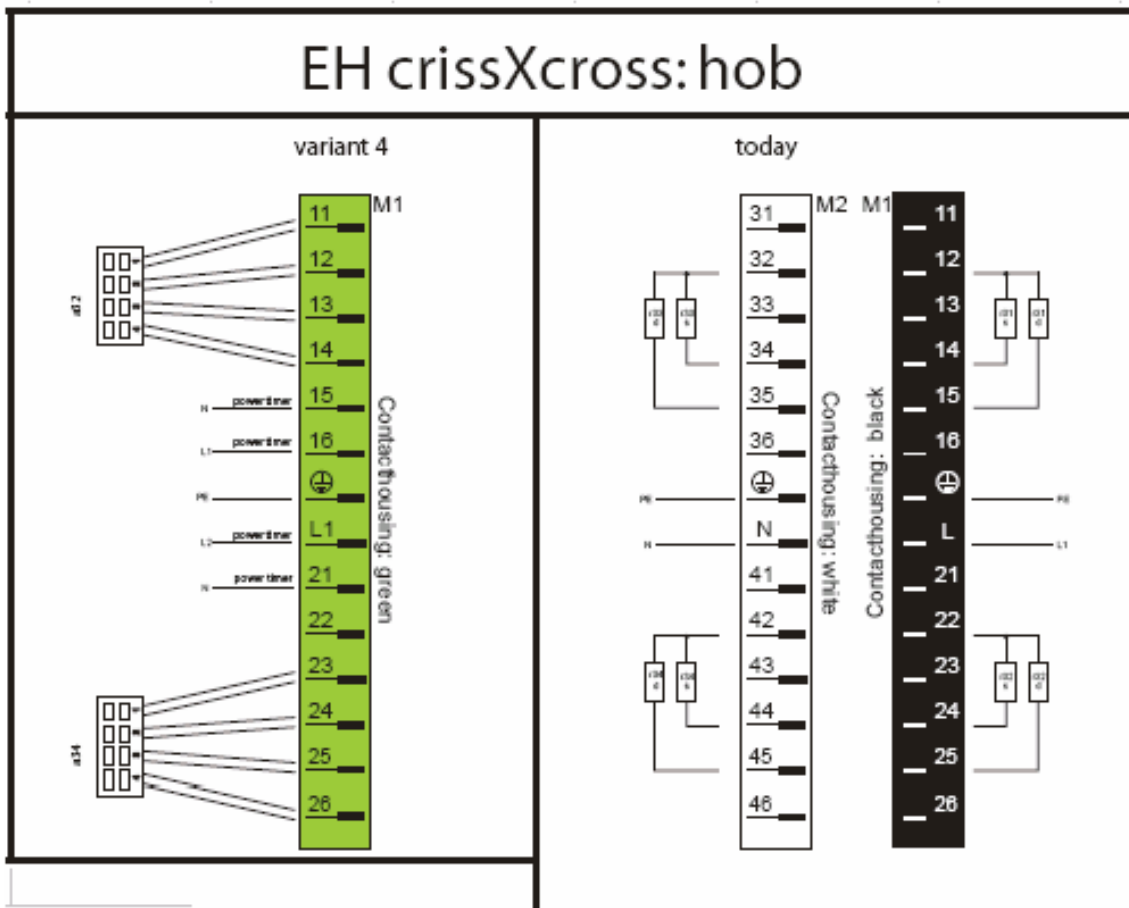
Layout



2.4 MEH Plug connections



3.4 EH Plug connections



6. Stand by power

→ New requirement: kpl. combination hob – oven must fulfill $p < 2W$

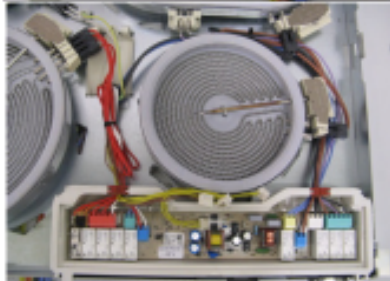
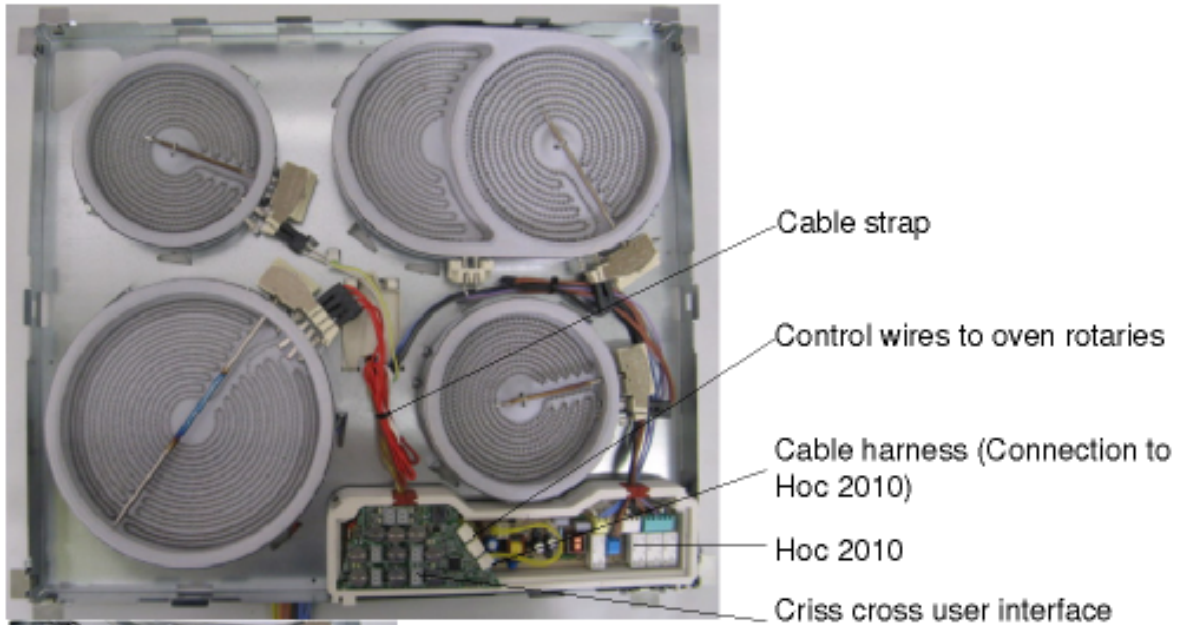
7. Technical details

7.1 Interface Criss Cross

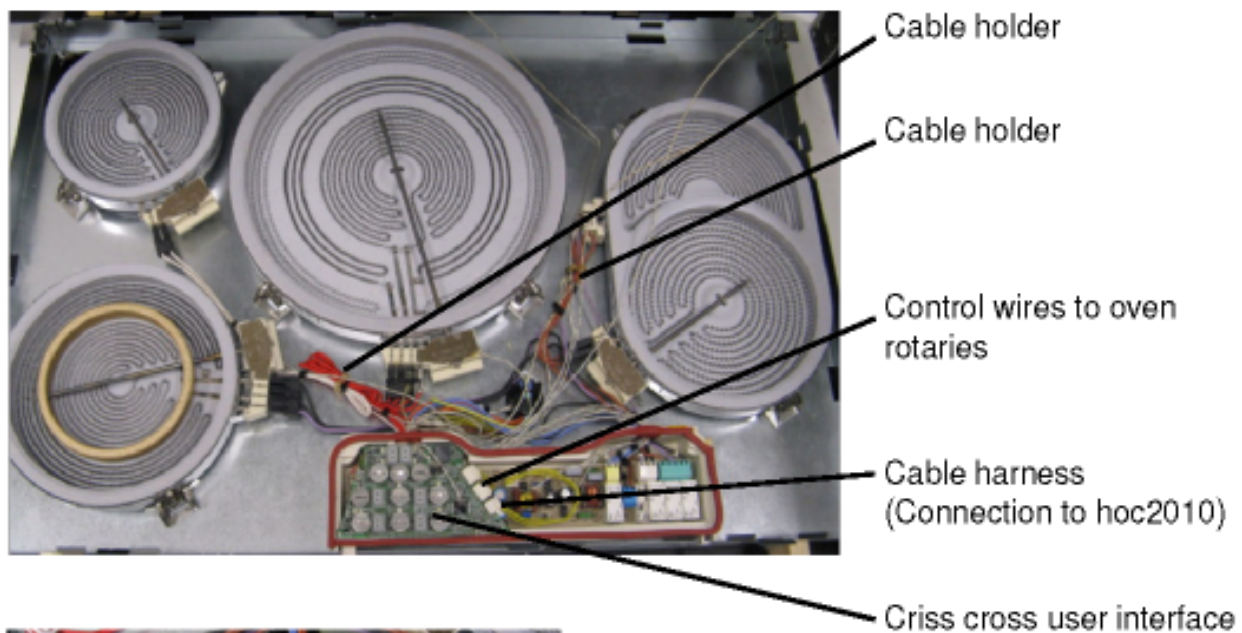


7.2 Assembly of radiant hobs

60cm including crissXcross user interface

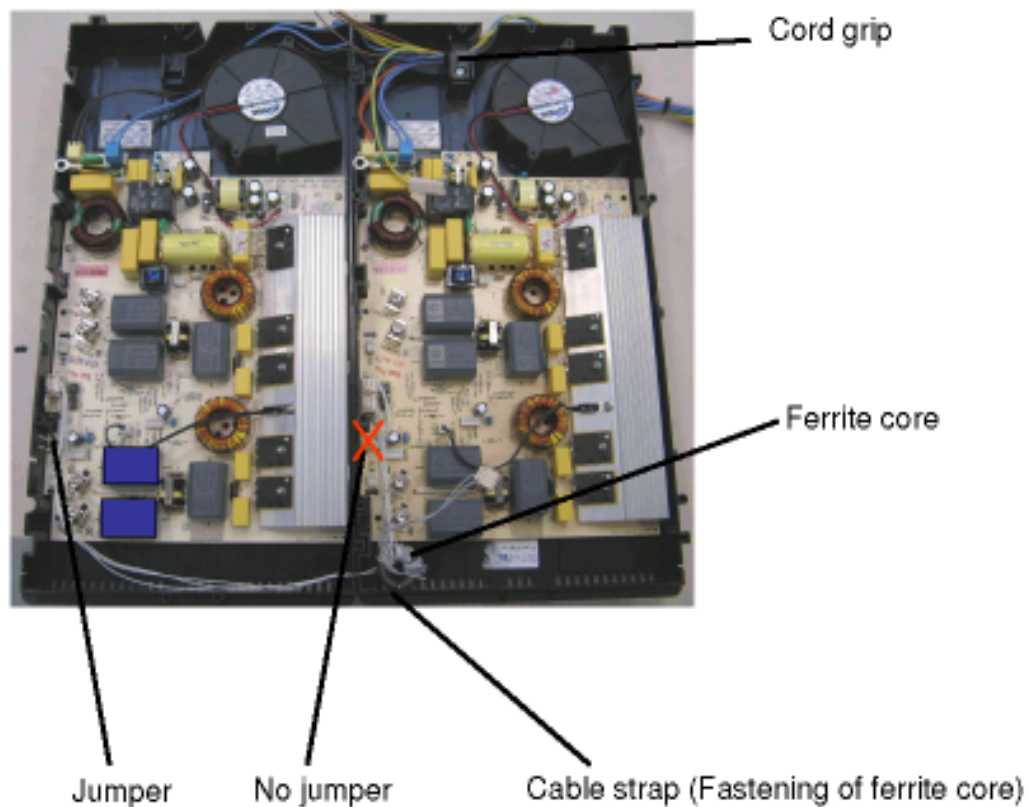
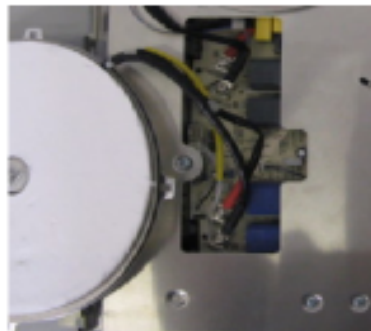
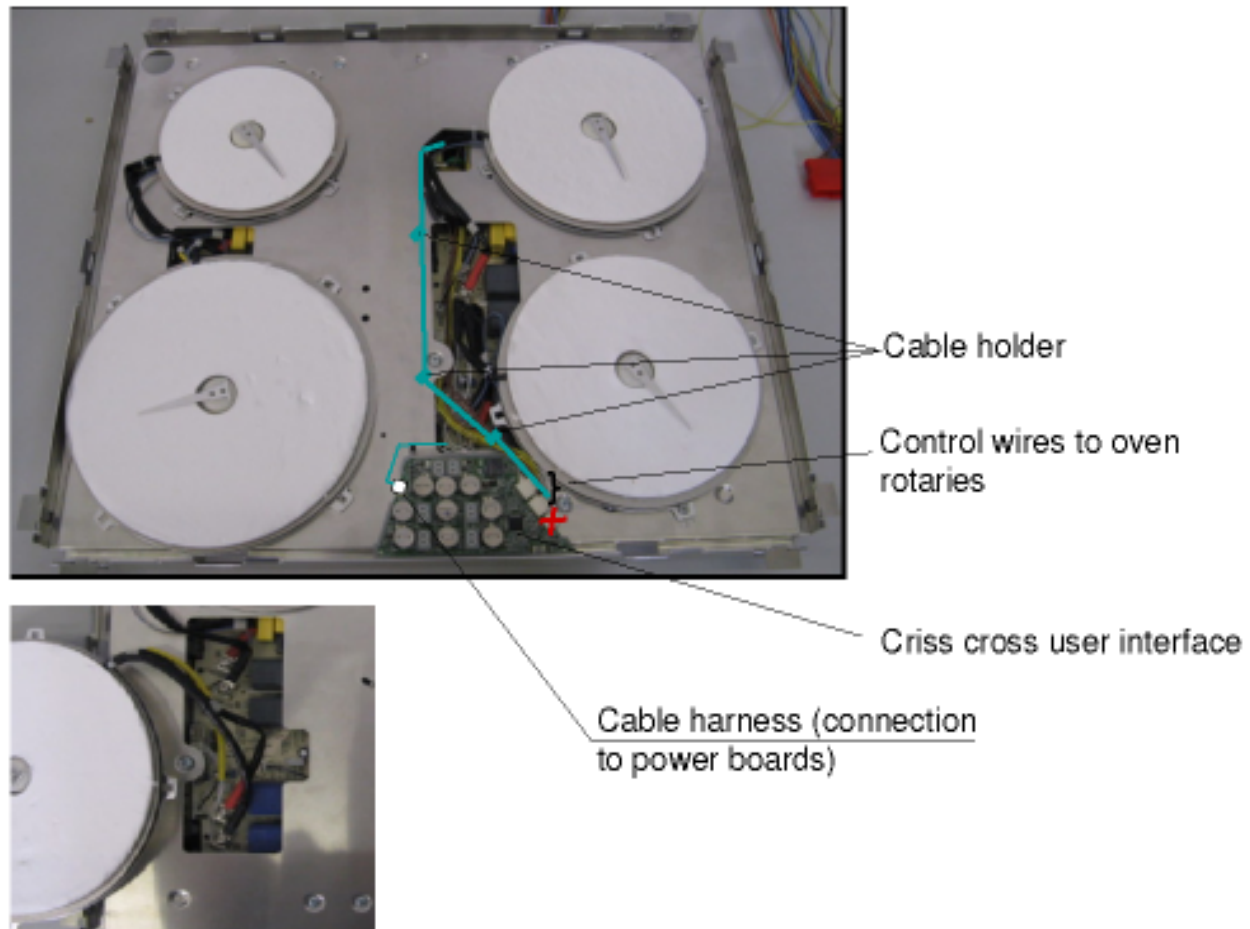


80cm including crissXcross user interface

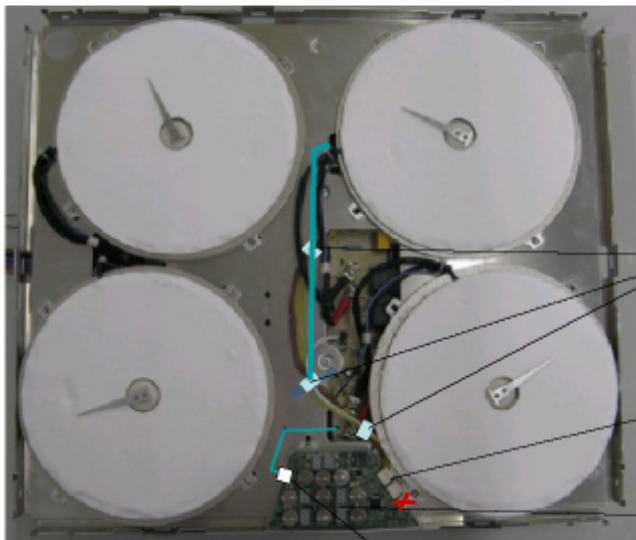


7.3 Assembly of induction hobs

60cm standard induction hob



60cm maxima induction hob

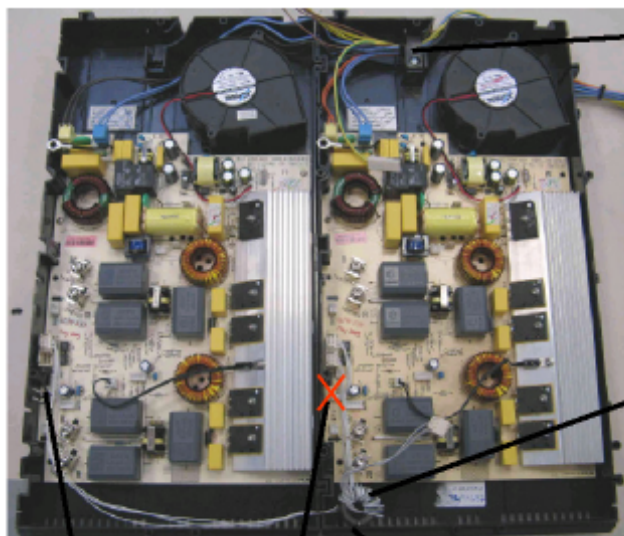
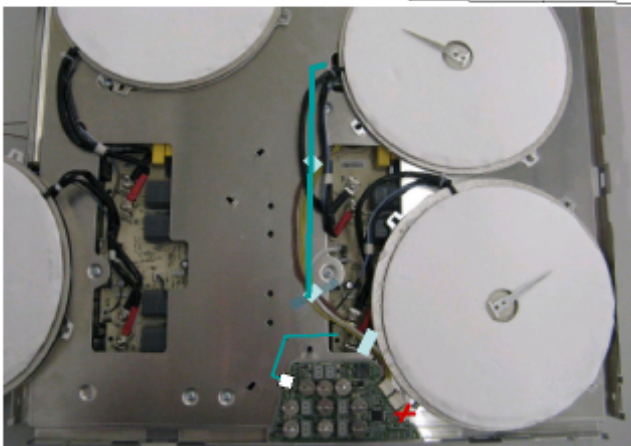


Cable holder

Control wires to oven rotaries

Criss cross user interface

Cable harness (connection to power boards)



Cord grip

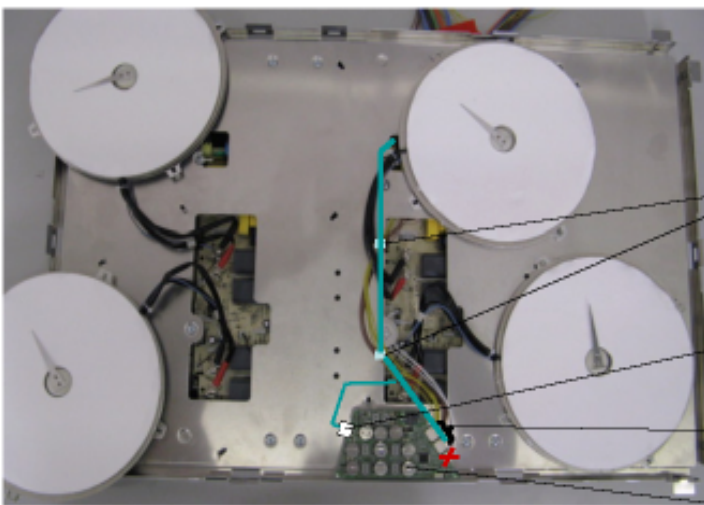
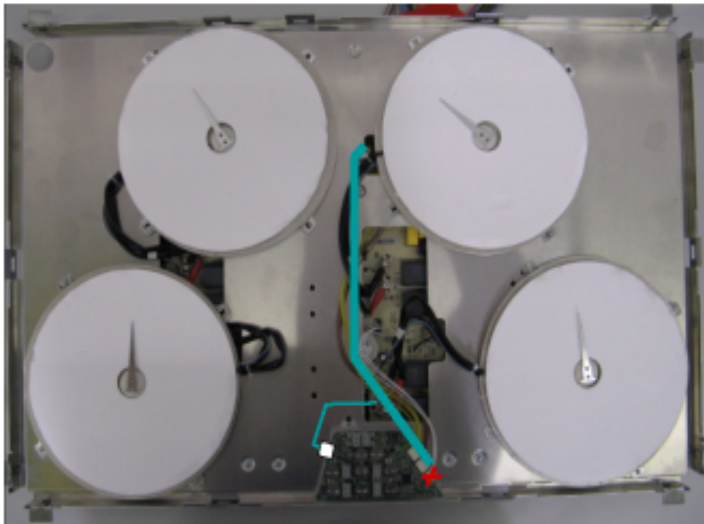
Ferrite core

Jumper

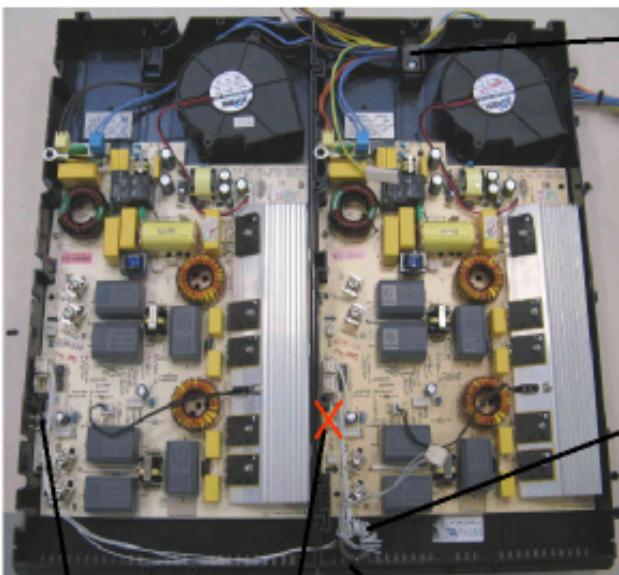
No jumper

Cable strap (Fastening of ferrite core)

80cm maxima induction hob



- Cable holder
- Cable harness (Connection to power boards)
- Control wires to oven rotaries
- Criss cross user interface



- Cord grip
- Ferrite core

- Jumper
- No jumper
- Cable strap (Fastening of ferrite core)

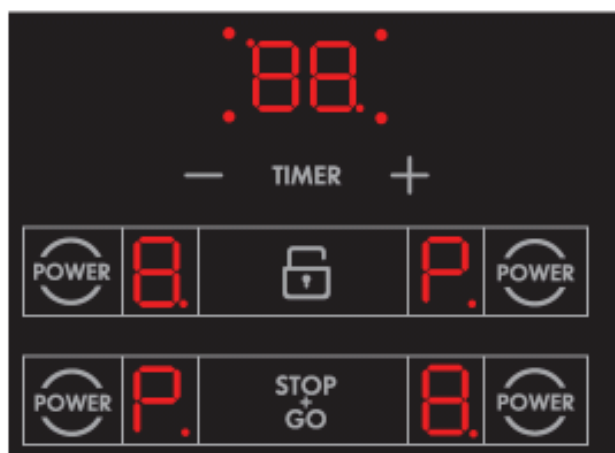
8. Auto End Test

Auto end test routine/ procedure has to be prepared/ integrated for all hobs and variants

9. Functionality

9.1 Cooking levels

There are 14 (AEG) and 9 (other brands) cooking levels plus optional power function for induction available.



The 14 AEG levels are displayed in one 7 segment display like showed in the following table.

9.3 Auto switch off management (has to be checked)

If a cooking level is not changed for a certain time, the zone is switched off.

The switch off period depends on the selected cooking level and is defined as followed:

MACS level	Cooking level	14 step scale	Auto power off [hours]
1-11	1 - 2	1 - 2.	6
12-15	3 - 4	3 - 4.	5
16-17	5	5 - 5.	4
18-24	6 - P	6 - P	1,5

10. Adapter – Combination from previous range with new range

10.1 previous/old MEH hobs - MEH criss cross oven

Service Bulletin 599720823