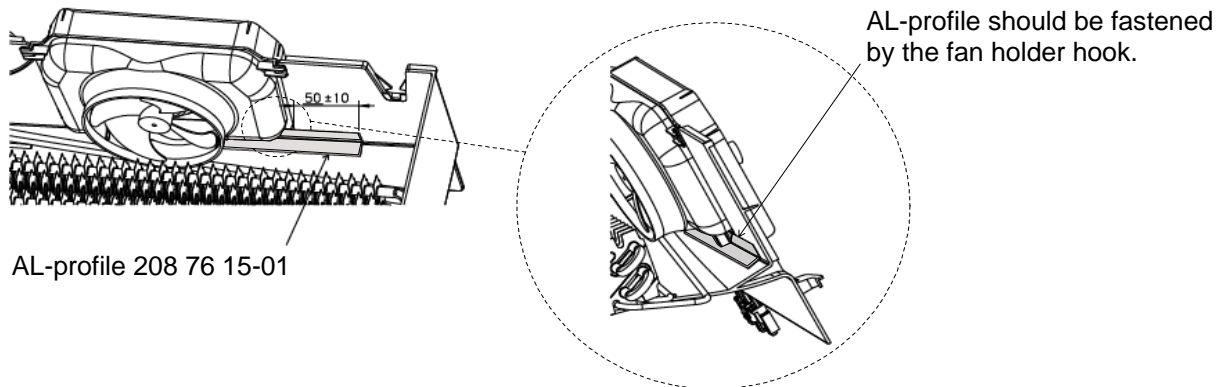


EN

ICE ACCUMULATION IN NOFROST MODULE/ TO HIGH TEMPERATURE

If there is ice accumulation on the bottom at rear edge of the nofrost module, it's mandatory to press down the metal plate in the nofrost module against the bottom, using AL-profile (see picture). Valid for appliances up to serial no 837. For appliances up to serial ni 828 it's also mandatory to replace the visualization board (PCB display) due to the new one has higher defrost temperature. On some products the whole PCB cpl has to be replaced.



Visualization board according to the spare parts list and the AL-profile 208 76 15-01 can be ordered from Distriparts.

When reassembling the module, check that the rubber sleeve at the outlet (A) is not loose from the module (B). Check also that the plastic part of the draining hose (C) is pressed against the module and fits into the rubber draining sleeve. Isolate carefully with sealing compound (D) (see picture).

