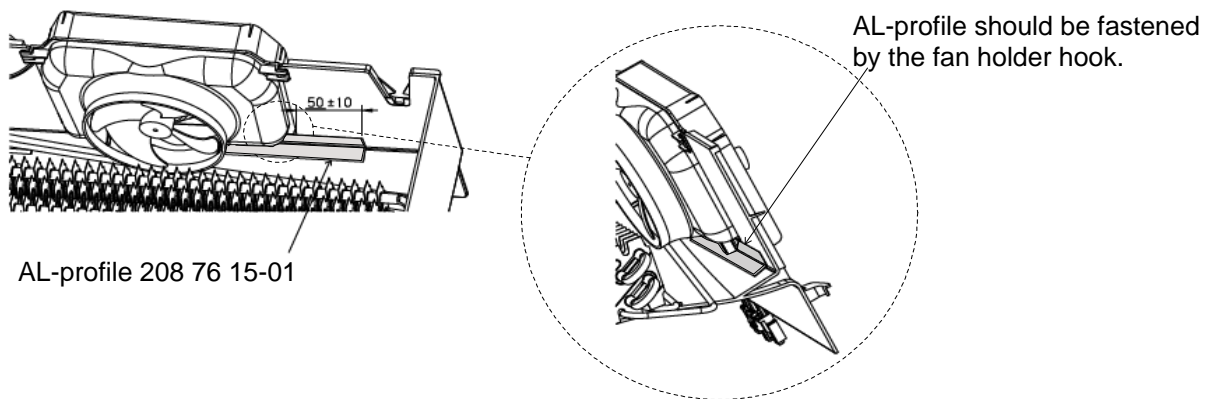


EN

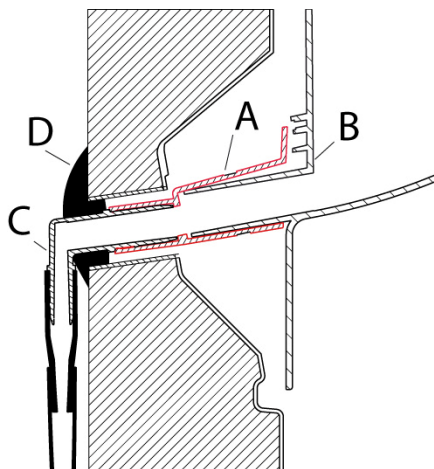
### FLUCTUATION OF TEMPERATURE ON NOFROST

If the freezer has fluctuation of temperature, the reason is that the fan may jam. The service action for appliances up to serial no 825 is to change the fan cpl. The metal plate in the nofrost module should also be pressed down against the bottom, by using AL-profile 208 76 15-01, (se picture) to prevent ice accumulation, valid for appliances up to serial no 837.



Fan cpl according to the spare parts list and the AL-profile 208 76 15-01 can be ordered from Distriparts.

When reassembling the module, check that the rubber draining sleeve at the outlet (A) is not loose from the module (B). Check also that the plastic part of the draining hose (C) is pressed against the module and fits into the rubber draining sleeve. Tighten carefully with sealing compound (D) (see picture).



If there is ice accumulation on the bottom at rear edge of the nofrost module, it's even necessary to change the visualization board (PCB display) or PCB cpl, see SB 599 71 14-29