

Service-Bulletin

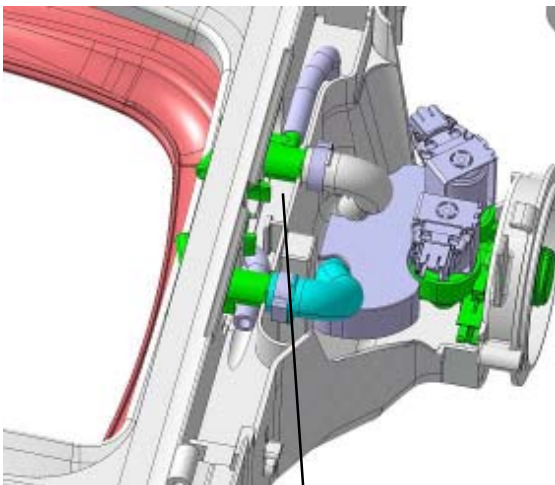
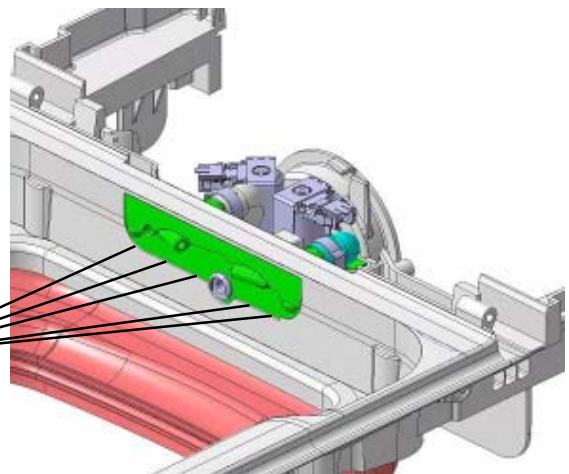
Washing machines

599 530 226 EN

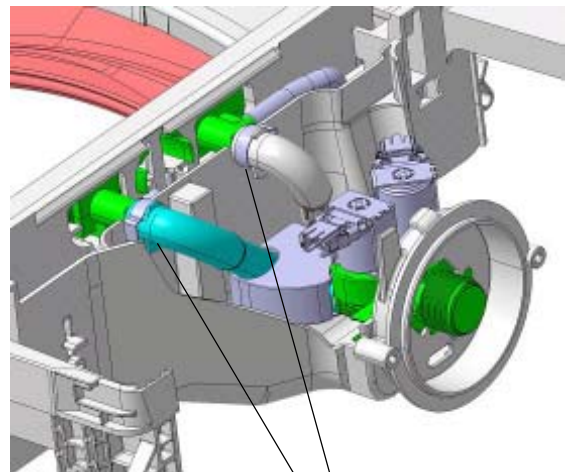
Toploader Leaky at the rear panel

Cause: Affected are only appliances with series no. 723 which have a water distributor from the tool no. 2.
Water is pressed between the upper part and the water distributor in the area of the inlet valve during the filling process of the softener (only when both inlet nozzles are selected).

Leaky between upper part
and water distributor

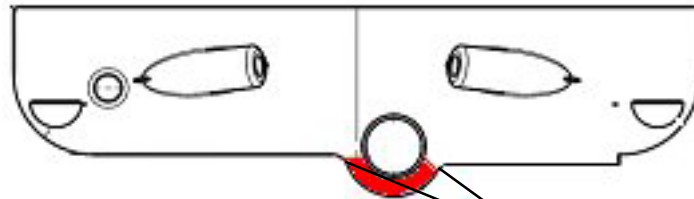


Water level increases



Water runs over between hose and upper part

Measure: Remove the stud at the water distributor. Thereby the water can flow back again into the tub.



Remove the marked part at the water distributor.



Check:

1. Remove panel support
2. Activate service program (attention: voltage)
3. Turn program selector to position 4 (fill softener chamber)
4. Let the appliance fill for 3 min and check for leakage (running over).
5. Execute safety check.