

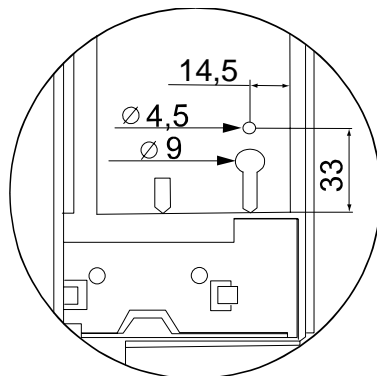
**REGULATOR CARBONDIOXIDE, SOURCE**

**Instruction how to assemble the regulator to the water module. Kit no. 96 00 17-76/2**

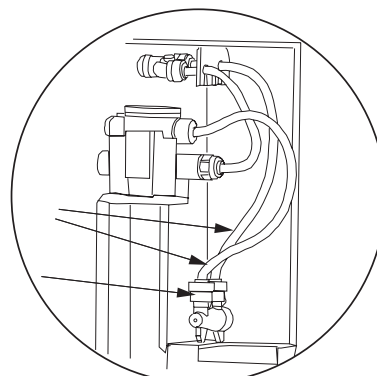
- Turn off incoming water to the product, disconnect the gas container, dismount the filter (if any) and drain as much water as possible.
- Disconnect the product from the power supply, and remove affected interior details to simplify dismount of water module.
- Drill a hole  $\varnothing$  4,5 mm for the fixing screw, as shown in sketch 1 below. Also enlarge the hole for the knob, to 9 mm.
- Unscrew the fixing screw for the water module, located behind the service lid.
- Lift and turn the water module enough to be able to unscrew the cable holder.
- Remove the blue tube connecting the differential pressure valve with the Y junction. Remaining pressure in the system is released. Take care of leaking water and wipe dry.
- Assemble the tubes in the regulator, see sketch 2, and put components in place. Make sure that the tubes are properly mounted.
- Fasten the regulator with the screw and reassemble cable holder and water module. Make sure that no tubes are jammed. Place the label above the screw.
- Turn the adjustment screw on the regulator about 1 turn counter clockwise.
- Replace the filter (if any), start the product, and turn on incoming water. Ventilate the system by draining about 1 litre of water. Reconnect the gas container and select carbonated water. Drain about 1,5 litre of water. If there are no signs of carbonate after that, turn the adjustment screw about 90° clockwise. Repeat the draining and look for signs of carbonate in the water. Repeat the procedure until carbonated water can be tapped.

The water system is now ready to be used, but it is recommended to wait until the water is cold. If increasing or decreasing of the carbonation level is needed, the customer can make smaller adjustments clockwise or counter clockwise. Note that an increasing of the carbonation level could have an impact of the tapping capacity of carbonated water at a certain time. To compensate for that turn the adjustment screw counter clockwise.

**Sketches:**



Sketch 1



Sketch 2